



ALTO PRODUCTS CORP.

One Alto Way • Atmore • Alabama • 36502 • USA • ☎251.368.7777 • 📠251.368.7774 • www.altoUSA.com



HEAVY DUTY FRICTION MATERIAL & TRANSMISSION PARTS

Truck • Bus • Construction • Earth Moving • Agricultural • Material Handling

Table of Contents

Categorized Listing

HEAVY DUTY	1	KOMATSU	14
ALLIS CHALMERS	1	KUBOTA	15
ALLISON - OTHER CLUTCHES	1	MACK TRUCK	15
ALLISON 5000,6000 Series	1	MASSEY-FERGUSON	15
ALLISON 8000 Series	1	MELROSE	15
ALLISON CLT 3340-3461	1	MINN - MOLINE (WHITE TRACTOR)	15
ALLISON CRT 3321-3630	1	MISCELLANEOUS	15
ALLISON CRT 5633	2	MITSUBISHI / TCM	16
ALLISON DP - 58,59,60 SERIES	2	MOROOKA	16
ALLISON HT 70-CLBT 4460	2	NISSAN	16
ALLISON OVERHAUL KITS	2	PARAGON	16
ALLISON TT2000/3000/4000	2	PETTIBONE	16
BOBCAT	2	PLYMOUTH (LOCOMOTIVE)	16
BORG WARNER T-22	2	RENK	16
BRODERSON	2	ROCKFORD POWERTRAIN	17
CARRARO	3	SKYTRAK	17
CATERPILLAR	3	TEREX	17
CHAMPION GRADER (GEARCO)	4	TOYOTA	17
CLARK	4	TWIN DISC	17
DAMPER ASSEMBLIES	5	VOLVO	18
DANA SPICER	6	WABCO	18
DOOSAN	6	WICHITA	18
EATON FULLER / CEEMAT	6	YALE	18
EUCLID	6	ZF	18
EXEDY	6		
FIAT - ALLIS	6		
FORD INDUSTRIAL / NEW HOLLAND	6		
FORD TRACTOR	7		
FUJI UNIVANCE	7		
FUNK	7		
GALION	8		
GROVE	8		
HELI	8		
HIDROMEK	8		
HYSTER	8		
HYUNDAI	9		
INTERNATIONAL HARVESTER - HOUGH	9		
INTERNATIONAL HARVESTER - J. I. CASE	9		
INTERNATIONAL HARVESTER - J. I. CASE (Agriculture)	9		
J.I. CASE / I.H.C. / DRESSER IND.	10		
JCB Clutches	11		
JCB Misc. Parts	12		
JCB Overhaul Kit	12		
JOHN DEERE	12		
JOHN DEERE BRAKE	13		
JOHN DEERE DIFFERENTIAL	13		
JOHN DEERE MISC.	13		
JOHN DEERE POWERSHIFT	13		
JOHN DEERE PTO	13		
JOHN DEERE SYNCHRO	14		

ALTO HEAVY DUTY CATALOG

ALLIS CHALMERS

REF #	Description	ALTO #	INCH (ODxIDxThk)	MM (ODxIDxThk)
1004876	FRICTION BRONZE 52 INT	023712BR260	148.50 x 107.72 x 2.62	5.850 x 4.241 x .103
1004876	FRICTION BRONZE 52 INT	023712BR260	148.50 x 107.72 x 2.62	5.850 x 4.241 x .103
1004876	FRICTION BRONZE 52 INT	023712BR260	148.50 x 107.72 x 2.62	5.850 x 4.241 x .103
1004876	FRICTION BRONZE 52 INT	023712BR260	148.50 x 107.72 x 2.62	5.850 x 4.241 x .103
1018224	FRICTION BRONZE 45 INT	049700BR	128.60 x 92.79 x 1.55	5.063 x 3.653 x .061
1018238	FRICTION BRONZE 59 INT	023738BR	190.61 x 147.17 x 2.92	7.504 x 5.794 x .115
1018239	STEEL 3 EXT	023739	214.83 x 155.58 x 1.75	8.458 x 6.125 x .069
11018222	STEEL 54 EXT	023701	138.99 x 99.01 x 1.73	5.472 x 3.898 x .068
11018222 SEL	STEEL (Selective Thickness) 54 EXT	023701-140	138.99 x 99.01 x 1.40	5.472 x 3.898 x .055
4913971	STEEL 54 EXT	023701-300	138.99 x 99.01 x 3.01	5.472 x 3.898 x .119
4913985	FRICTION HEG PLI 45 INT	049720-200	133.35 x 92.79 x 2.08	5.250 x 3.653 x .082
4917871	STEEL (MATES WITH 053702) 12 EXT	053703	156.03 x 119.13 x 1.80	6.143 x 4.690 x .071
4917873	FRICTION (PAPER FACE VERSION) TAN PL 24 INT	053702	142.98 x 110.08 x 1.55	5.629 x 4.334 x .061
4917896	FRICTION (PAPER FACE VERSION) HEG SMOOTH 34 INT	053700	99.85 x 68.17 x 1.55	3.931 x 2.684 x .061
70256524	FRICTION PTO BRONZE (8 PER UNIT) 28 INT	302702BR	152.32 x 85.85 x 3.05	5.997 x 3.380 x .120
70261212	FRICTION BRONZE 32 INT	302704BR	177.57 x 99.49 x 3.05	6.991 x 3.917 x .120
70265486	STEEL PTO 3 EXT	302703	176.83 x 97.59 x 1.91	6.962 x 3.842 x .075
70265487	WAVE SPRING	302767	164.72 x 156.82 x .76	6.485 x 6.174 x .030
73047703	FRICTION HEGHD 57 INT	317720-390	303.80 x 235.20 x 3.90	11.950 x 9.250 x .153
73047703	FRICTION HEGHD 57 INT	317720-390	303.80 x 235.20 x 3.90	11.950 x 9.250 x .153
9502757	STEEL 60 EXT	023719	154.10 x 114.05 x 1.73	6.067 x 4.490 x .068

ALLISON - OTHER CLUTCHES

REF #	Description	ALTO #	INCH (ODxIDxThk)	MM (ODxIDxThk)
5101603	FRICTION FORWARD CLUTCH PLATE (LESS DAMPER ASSEMBLY) Fits Applications up to 510HP	352720-540	363.80 x 180.98 x 5.38	14.323 x 7.125 x .212
5101603	FRICTION FORWARD CLUTCH PLATE (LESS DAMPER ASSEMBLY) Fits Applications up to 510HP	352720-540	363.80 x 180.98 x 5.38	14.323 x 7.125 x .212
6758737	STEEL CLBT-4460 8 EXT	179763-500	311.15 X 234.95 X 5.05	12.25 X 9.25 X .199
6770865	STEEL STEPPED - APPLY PRESSURE PLATE 8 EXT	352703	257.18 x 175.64 x 7.98	10.125 x 6.915 x .314
6770916	STEEL 8 EXT	352707-500	209.55 x 157.48 x 4.97	8.250 x 6.200 x .196
6770917	STEEL Mating plate to 352710-385 Friction 8 EXT	178721	209.70 x 157.02 x 2.41	8.256 x 6.182 x .095
6772093	STEEL 8 EXT	352707-755	209.55 x 157.48 x 7.54	8.250 x 6.200 x .297
6776092	STEEL 8 EXT	317721-300	330.20 x 254.00 x 3.00	12.980 x 9.990 x .118
6830368	FRICTION BRONZE 60 INT	352704-388	253.59 x 187.81 x 3.91	9.984 x 7.394 x .154
6830368	FRICTION BRONZE 60 INT	352704-388	253.59 x 187.81 x 3.91	9.984 x 7.394 x .154
6830920	FRICTION HEG PLI 72 INT	352702-520	371.68 x 302.74 x 5.18	14.633 x 11.919 x .204
6830920	FRICTION HEG PLI 72 INT	352702-520	371.68 x 302.74 x 5.18	14.633 x 11.919 x .204
73047703	FRICTION HEGHD 57 INT	317720-390	303.80 x 235.20 x 3.90	11.950 x 9.250 x .153

ALLISON 5000,6000 Series

REF #	Description	ALTO #	INCH (ODxIDxThk)	MM (ODxIDxThk)
23019152	OVERHAUL KIT	352808		
29544490	OVERHAUL KIT	352802		
6769326	STEEL 30 EXT	352711-495	386.94 x 322.78 x 4.95	15.234 x 12.708 x .195
6832138	FRICTION BRONZE 89 INT	352700A510	433.50 X 371.73 X 5.33	17.067 X 14.635 X .210
6832138	FRICTION BRONZE 89 INT	352700A510	433.50 X 371.73 X 5.33	17.067 X 14.635 X .210

ALLISON 8000 Series

REF #	Description	ALTO #	INCH (ODxIDxThk)	MM (ODxIDxThk)
23041615	FRICTION 89 INT	352706-520	433.27 x 371.30 x 5.18	17.058 x 14.618 x .204
6776610	STEEL 30 EXT	352711-300	386.94 x 322.78 x 3.00	15.234 x 12.708 x .118
6777796	STEEL CLBT58, 59, 60 TRANSMISSION CLUTCH 35 EXT	352713-500	450.30 x 389.40 x 5.00	17.710 x 15.310 x .197
6779887	FRICTION	TBA		
6830920	FRICTION HEG PLI 72 INT	352702-520	371.68 x 302.74 x 5.18	14.633 x 11.919 x .204
6832138	FRICTION BRONZE 89 INT	352700A510	433.50 X 371.73 X 5.33	17.067 X 14.635 X .210

ALLISON CLT 3340-3461

REF #	Description	ALTO #	INCH (ODxIDxThk)	MM (ODxIDxThk)
6830950	FRICTION BRONZE Mating plate to 178721 Steel 59 INT	352710-385	200.00 x 144.80 x 3.90	7.860 x 5.690 x .153

ALLISON CRT 3321-3630

ALTO HEAVY DUTY CATALOG

ALLISON CRT 3321-3630

REF #	Description	ALTO #	INCH (ODxIDxThk)	MM (ODxIDxThk)
6830368	FRICTION BRONZE 60 INT	352704-388	253.59 x 187.81 x 3.91	9.984 x 7.394 x .154
6837690	STEEL (10 Per unit) 6 EXT	352701	274.32 x 202.49 x 2.72	10.800 x 7.972 x .107

ALLISON CRT 5633

REF #	Description	ALTO #	INCH (ODxIDxThk)	MM (ODxIDxThk)
23048511	FRICTION 73 INT	056712	371.70 x 302.95 x 5.23	14.634 x 11.927 x .206
6776610	STEEL 30 EXT	352711-300	386.94 x 322.78 x 3.00	15.234 x 12.708 x .118
6884505	OVERHAUL KIT	352810		

ALLISON DP - 58,59,60 SERIES

REF #	Description	ALTO #	INCH (ODxIDxThk)	MM (ODxIDxThk)
6769326	STEEL 30 EXT	352711-495	386.94 x 322.78 x 4.95	15.234 x 12.708 x .195
6777796	STEEL CLBT58, 59, 60 TRANSMISSION CLUTCH 35 EXT	352713-500	450.30 x 389.40 x 5.00	17.710 x 15.310 x .197
6830368	FRICTION BRONZE 60 INT	352704-388	253.59 x 187.81 x 3.91	9.984 x 7.394 x .154
6830920	FRICTION HEG PLI 72 INT	352702-520	371.68 x 302.74 x 5.18	14.633 x 11.919 x .204
6832138	FRICTION BRONZE 89 INT	352700A510	433.50 X 371.73 X 5.33	17.067 X 14.635 X .210

ALLISON HT 70-CLBT 4460

REF #	Description	ALTO #	INCH (ODxIDxThk)	MM (ODxIDxThk)
6758737	STEEL CLBT-4460 8 EXT	179763-500	311.15 X 234.95 X 5.05	12.25 X 9.25 X .199

ALLISON OVERHAUL KITS

REF #	Description	ALTO #	INCH (ODxIDxThk)	MM (ODxIDxThk)
23012606	OVERHAUL KIT CLBT 700 SERIES	352800		
23019152	OVERHAUL KIT	352808		
29544490	OVERHAUL KIT	352802		
6838897	OVERHAUL KIT TT2000/3000/4000	352812		
6884505	OVERHAUL KIT	352810		

ALLISON TT2000/3000/4000

REF #	Description	ALTO #	INCH (ODxIDxThk)	MM (ODxIDxThk)
23010122	FRICTION HEG WF (9 Per Unit) 60 INT	352704A388	253.52 x 187.71 x 3.91	9.981 x 7.390 x .154
23010871	FRICTION BRONZE HI-RANGE TRANSFER (2 per Unit) 6 INT	352712BR390	254.00 X 74.50 X 3.90	10.000 X 2.933 X .154
6776092	STEEL 8 EXT	317721-300	330.20 x 254.00 x 3.00	12.980 x 9.990 x .118
6830368	FRICTION BRONZE 60 INT	352704-388	253.59 x 187.81 x 3.91	9.984 x 7.394 x .154
6837690	STEEL (10 Per unit) 6 EXT	352701	274.32 x 202.49 x 2.72	10.800 x 7.972 x .107
6838897	OVERHAUL KIT TT2000/3000/4000	352812		
73047703	FRICTION HEGHD 57 INT	317720-390	303.80 x 235.20 x 3.90	11.950 x 9.250 x .153

BOBCAT

REF #	Description	ALTO #	INCH (ODxIDxThk)	MM (ODxIDxThk)
6502424	FRICTION (NO TEETH) TAN PLI	179706-327	190.50 x 136.91 x 3.25	7.500 x 5.390 x .128
6502424	FRICTION (NO TEETH) TAN PLI	179706-327	190.50 x 136.91 x 3.25	7.500 x 5.390 x .128

BORG WARNER T-22

REF #	Description	ALTO #	INCH (ODxIDxThk)	MM (ODxIDxThk)
04-500206	FRICTION HEG PLI 59 INT	023738A	190.19 x 146.76 x 2.92	7.488 x 5.778 x .115
10-08-166-001	STEEL 43 EXT	308703	205.49 x 145.42 x 3.53	8.090 x 5.725 x .139
10-08-666-001	FRICTION BRONZE 44 INT	308700A	196.60 x 138.20 x 2.79	7.730 x 5.430 x .110
10-08-666-001	FRICTION BRONZE 44 INT	308700A	196.60 x 138.20 x 2.79	7.730 x 5.430 x .110
10-08-666-004	FRICTION HEG 44 INT	308700	197.03 x 138.30 x 2.79	7.757 x 5.445 x .110
10-17-666-001	FRICTION TAN PLI 59 INT	023738	190.19 x 146.76 x 2.92	7.488 x 5.778 x .115
11018222 SEL	STEEL (Selective Thickness) 54 EXT	023701-140	138.99 x 99.01 x 1.40	5.472 x 3.898 x .055
22-176	STEEL 64 EXT 64 EXT	308701	205.59 x 145.47 x 1.65	8.094 x 5.727 x .065
4913971	STEEL 54 EXT	023701-300	138.99 x 99.01 x 3.01	5.472 x 3.898 x .119
4913985	FRICTION HEG PLI 45 INT	049720-200	133.35 x 92.79 x 2.08	5.250 x 3.653 x .082
4913985	FRICTION HEG PLI 45 INT	049720-200	133.35 x 92.79 x 2.08	5.250 x 3.653 x .082
4913985	FRICTION HEG PLI 45 INT	049720-200	133.35 x 92.79 x 2.08	5.250 x 3.653 x .082
72-A66	STEEL 59 INT	023738BR155	190.61 x 147.17 x 1.57	7.504 x 5.794 x 0.062
W-1597A	FRICTION 45 INT	049722	133.35 x 92.79 x 1.55	5.250 x 3.653 x 0.061

BRODERSON

ALTO HEAVY DUTY CATALOG

BRODERSON

REF #	Description	ALTO #	INCH (ODxIDxThk)	MM (ODxIDxThk)
1018224	FRICTION BRONZE 45 INT	049700BR	128.60 x 92.79 x 1.55	5.063 x 3.653 x .061
1018238	FRICTION BRONZE 59 INT	023738BR	190.61 x 147.17 x 2.92	7.504 x 5.794 x .115
1018239	STEEL 3 EXT 3 EXT	023739	214.83 x 155.58 x 1.75	8.458 x 6.125 x .069
11018222	STEEL 54 EXT 54 EXT	023701	138.99 x 99.01 x 1.73	5.472 x 3.898 x .068

CARRARO

REF #	Description	ALTO #	INCH (ODxIDxThk)	MM (ODxIDxThk)
136155	STEEL 64 EXT	303701-500	229.87 x 152.40 x 5.00	9.050 x 6.000 x .197
143874	FRICTION 36 INT	303700-490	223.01 x 70.86 x 4.90	8.780 x 2.790 x .193

CATERPILLAR

REF #	Description	ALTO #	INCH (ODxIDxThk)	MM (ODxIDxThk)
10-08-166-001	STEEL 43 EXT	308703	205.49 x 145.42 x 3.53	8.090 x 5.725 x .139
10-08-666-001	FRICTION BRONZE 44 INT	308700A	196.60 x 138.20 x 2.79	7.730 x 5.430 x .110
10-08-666-004	FRICTION HEG 44 INT	308700	197.03 x 138.30 x 2.79	7.757 x 5.445 x .110
230-4017	FRICTION - BRAKE 22 INT	317704-490	204.47 x 60.83 x 4.90	8.050 x 2.395 x .193
2H-6936	STEEL 8 INT	308709-230	288.21 x 194.56 x 2.29	11.347 x 7.660 x .090
2P-3719	FRICTION 54 INT	308714-290	215.80 x 168.50 x 2.90	8.490 x 6.630 x .114
2P-3719	FRICTION 54 INT	308714-290	215.80 x 168.50 x 2.90	8.490 x 6.630 x .114
2P-3719	FRICTION 54 INT	308714-290	215.80 x 168.50 x 2.90	8.490 x 6.630 x .114
2P-3719	FRICTION 54 INT	308714-290	215.80 x 168.50 x 2.90	8.490 x 6.630 x .114
2P-3719	FRICTION 54 INT	308714-290	215.80 x 168.50 x 2.90	8.490 x 6.630 x .114
2P-3719	FRICTION 54 INT	308714-290	215.80 x 168.50 x 2.90	8.490 x 6.630 x .114
2P-4472	STEEL 5 EXT	308713-640	411.50 x 317.50 x 6.40	16.180 x 12.490 x .252
2P-4472	STEEL 5 EXT	308713-640	411.50 x 317.50 x 6.40	16.180 x 12.490 x .252
2P-4472	STEEL 5 EXT	308713-640	411.50 x 317.50 x 6.40	16.180 x 12.490 x .252
3L-8440	FRICTION BRONZE MG-514 ALL MODELS 12 EXT	332706	236.04 x 139.67 x 3.10	9.293 x 5.400 x .122
3P-5955	FRICTION BRONZE 101 Int	308702-500	311.20 x 252.50 x 5.00	12.240 x 9.930 x .197
3T-9293	FRICTION BRONZE 68 EXT	332702	112.14 x 71.30 x 2.16	4.415 x 2.807 x .085
4913985	FRICTION HEG PLI 45 INT	049720-200	133.35 x 92.79 x 2.08	5.250 x 3.653 x .082
4913985	FRICTION HEG PLI 45 INT	049720-200	133.35 x 92.79 x 2.08	5.250 x 3.653 x .082
4917871	STEEL (MATES WITH 053702) 12 EXT	053703	156.03 x 119.13 x 1.80	6.143 x 4.690 x .071
4917873	FRICTION (PAPER FACE VERSION) TAN PL 24 INT	053702	142.98 x 110.08 x 1.55	5.629 x 4.334 x .061
4917896	FRICTION (PAPER FACE VERSION) HEG SMOOTH 34 INT	053700	99.850 x 68.17 x 1.55	3.931 x 2.684 x .061
4S-5891	STEEL 64 INT	308725-290	268.20 x 199.80 x 2.90	10.550 x 7.860 x .114
5D-8526	STEEL 44 EXT	308723	113.67 x 86.06 x .81	4.475 x 3.388 x .032
5K-8617	FRICTION 95 EXT	308728	304.80 x 212.90 x 3.80	11.990 x 8.370 x .149
5K-8617	FRICTION 95 EXT	308728	304.80 x 212.90 x 3.80	11.990 x 8.370 x .149
5N-6137	STEEL STEPPED MG-514A, MG-514B LATE & MG-514C 40 INT	332709	203.70 x 123.11 x 4.72	7.995 x 4.847 x .186
6I-8912	FRICTION 52 INT PLI	308742-400		
6L-9719	STEEL 42 INT	332703	101.60 x 64.69 x 1.59	4.000 x 2.547 x .063
6T-5099	FRICTION TAN PL 52 INT	023712-180	148.50 x 107.72 x 1.78	5.850 x 4.241 x .070
6T-5099	FRICTION TAN PL 52 INT	023712-180	148.50 x 107.72 x 1.78	5.850 x 4.241 x .070
6T-6277	STEEL 24 EXT	053701	107.82 x 76.17 x 1.80	4.245 x 2.999 x .071
6T-9456	STEEL 60 EXT	023719-310	154.10 x 114.05 x 3.10	6.067 x 4.490 x .122
6T-9456	STEEL 60 EXT	023719-310	154.10 x 114.05 x 3.10	6.067 x 4.490 x .122
6T-9462	FRICTION HEG WF 52 INT	023722-180	148.59 x 101.70 x 1.80	5.850 x 4.240 x .071
6T-9462	FRICTION HEG WF 52 INT	023722-180	148.59 x 101.70 x 1.80	5.850 x 4.240 x .071
6Y-5352	FRICTION 61 INT PLI	308746-500		
6Y-5911	FRICTION 75 INT	308716-550	345.10 x 271.00 x 5.50	13.570 x 10.660 x .216
6Y-5911	FRICTION 75 INT	308716-550	345.10 x 271.00 x 5.50	13.570 x 10.660 x .216
6Y-7915	FRICTION 54 INT	308710-280	255.60 x 168.40 x 2.80	10.050 x 6.620 x .110
6Y-7916	FRICTION 64 INT	308712-350	306.00 x 198.60 x 3.50	12.030 x 7.810 x .138
6Y-7929	FRICTION TAN PLI 45 INT	049700-216	133.35 x 92.79 x 2.16	5.250 x 3.653 x .085
6Y-7929	FRICTION TAN PLI 45 INT	049700-216	133.35 x 92.79 x 2.16	5.250 x 3.653 x .085
6Y-7950	FRICTION TAN PLI 54 INT	308708-460	215.87 x 135.08 x 4.57	8.499 x 5.318 x .180
6Y-7953	FRICTION 74 INT	308740-290		
6Y-7962	FRICTION TAN 18 INT	308722	105.84 x 43.43 x 2.54	4.167 x 1.710 x .100
6Y-7981	FRICTION 32 EXT PLI	308744-432		
7D-3012	STEEL SPACER 140 EXT	329701A250	740.13 x 539.88 x 2.41	29.14 x 21.25 x .095
7D-3013	FRICTION CORK 144 INT	329702B690	740.26 x 539.75 x 6.90	29.140 x 21.250 x .272

ALTO HEAVY DUTY CATALOG

CATERPILLAR

REF #	Description	ALTO #	INCH (ODxIDxThk)	MM (ODxIDxThk)
7D-3014	FRICION Model 785B & 773D 9 per Unit, 777D 15 per Unit, 777C & 769C 12 per Unit	329700-520	715.01 x 510.54 x 5.16	28.15 x 20.13 x .203
7D-3014	FRICION BRAKE 102 INT	329700B520	715.01 x 510.54 x 5.16	28.15 x 20.13 x .203
7D-8434	STEEL 100 EXT	308717-190	322.80 x 226.60 x 1.90	12.690 x 8.910 x .075
7D-8434	STEEL 100 EXT	308717-190	322.80 x 226.60 x 1.90	12.690 x 8.910 x .075
7G-0437	STEEL 6 EXT	308741-318		
7G-8542	FRICION TAN PL 45 INT	049702	133.35 x 92.79 x 2.03	5.250 x 3.653 x .080
7G-8542	FRICION TAN PL 45 INT	049702	133.35 x 92.79 x 2.03	5.250 x 3.653 x .080
7L-7782	FRICION BRONZE 76 EXT	332704	164.24 x 103.81 x 2.87	6.466 x 4.087 x .113
8D-8794	STEEL 86 EXT	308715-150	276.90 x 187.50 x 1.50	10.890 x 7.370 x .059
9N-1656	STEEL 172 EXT	179701-266	315.61 x 254.00 x 2.67	12.426 x 10.000 x .105
9R-9401	STEEL (1 rounded notch)	308729-450	238.05 X 126.67 X 4.500	9.372 X 4.987 X .177
9W-4954	FRICION TAN PL 52 INT	023712-295	148.50 x 107.72 x 2.95	5.850 x 4.241 x .116
9W-8901	FRICION TAN PL 52 INT	023712A170	148.50 x 107.72 x 1.70	5.850 x 4.241 x .067
CKC-68632	FRICION HEG WF 40 INT	310726A250	127.25 x 82.19 x 2.54	5.010 x 3.236 x .100

CHAMPION GRADER (GEARCO)

REF #	Description	ALTO #	INCH (ODxIDxThk)	MM (ODxIDxThk)
11299	STEEL INPUT & REVERSE (52 PER UNIT) 8 EXT	306709-155	142.62 x 99.14 x 1.55	5.615 x 3.903 x .061
11300	FRICION BRONZE 45 INT	049700A150	133.35 x 92.79 x 1.50	5.250 x 3.653 x .059
16780N	STEEL 16 EXT	307709-340	323.30 x 184.3 x 3.40	12.710 x 7.250 x .134
19435	FRICION BRONZE 34 INT	317712-250	198.15 x 140.54 x 2.49	7.801 x 5.533 x .098
28305	FRICION BRONZE 45 INT	049700BR235	133.35 x 92.79 x 2.36	5.250 x 3.653 x .093
28305	FRICION BRONZE 45 INT	049700BR235	133.35 x 92.79 x 2.36	5.250 x 3.653 x .093
37170	FRICION HEG PLI 53 INT	307704-500	342.77 x 220.5 x 5.21	13.495 x 8.681 x .205
37171	STEEL 83 EXT	307705-630	355.04 x 238.38 x 6.30	13.978 x 9.385 x .248
37171	STEEL 83 EXT	307705-630	355.04 x 238.38 x 6.30	13.978 x 9.385 x .248
37171X	STEEL (Thinner for more capacity) 83 EXT	307705-343	355.04 x 238.38 x 3.43	13.978 x 9.385 x .135
37171X	STEEL (Thinner for more capacity) 83 EXT	307705-343	355.04 x 238.38 x 3.43	13.978 x 9.385 x .135
37934	FRICION HEG PLI 54 INT	307706-350	358.93 x 226.87 x 3.51	14.130 x 8.932 x .138
37935	STEEL 89 EXT	307707-300	378.46 x 254.00 x 3.10	14.900 x 10.000 x .122
41112	STEEL OUTPUT (18 PER UNIT) 8 EXT	307703-210	180.21 x 129.57 x 2.11	7.095 x 5.101 x .083
48525N	FRICION 35 INT	307708-520	279.90 x 117.70 x 5.30	11.010 x 4.630 x .208
53951	FRICION OUTPUT BRONZE (20 PER UNIT) 29 INT	307702-250	168.58 x 119.43 x 2.54	6.637 x 4.702 x .100
9502757	STEEL 60 EXT	023719	154.10 x 114.05 x 1.73	6.067 x 4.490 x .068
D77576	FRICION BRONZE 52 INT	023712BR295	148.50 x 107.72 x 2.95	5.850 x 4.241 x .116

CLARK

REF #	Description	ALTO #	INCH (ODxIDxThk)	MM (ODxIDxThk)
1004876	FRICION BRONZE 52 INT	023712BR260	148.50 x 107.72 x 2.62	5.850 x 4.241 x .103
1004876	FRICION BRONZE 52 INT	023712BR260	148.50 x 107.72 x 2.62	5.850 x 4.241 x .103
1004876	FRICION BRONZE 52 INT	023712BR260	148.50 x 107.72 x 2.62	5.850 x 4.241 x .103
1004876	FRICION BRONZE 52 INT	023712BR260	148.50 x 107.72 x 2.62	5.850 x 4.241 x .103
1004876	FRICION BRONZE 52 INT	023712BR260	148.50 x 107.72 x 2.62	5.850 x 4.241 x .103
1004876	FRICION BRONZE 52 INT	023712BR260	148.50 x 107.72 x 2.62	5.850 x 4.241 x .103
1004876	FRICION BRONZE 52 INT	023712BR260	148.50 x 107.72 x 2.62	5.850 x 4.241 x .103
1004876	FRICION BRONZE 52 INT	023712BR260	148.50 x 107.72 x 2.62	5.850 x 4.241 x .103
1018224	FRICION BRONZE 45 INT	049700BR	128.6 x 92.79 x 1.55	5.063 x 3.653 x .061
1018224	FRICION BRONZE 45 INT	049700BR	128.60 x 92.79 x 1.55	5.063 x 3.653 x .061
1018238	FRICION BRONZE 59 INT	023738BR	190.61 x 147.17 x 2.92	7.504 x 5.794 x .115
1018239	STEEL 3 EXT	023739	214.83 x 155.58 x 1.75	8.458 x 6.125 x .069
11018222	STEEL 54 EXT	023701	138.99 x 99.01 x 1.73	5.472 x 3.898 x .068
208772	FRICION BRONZE 19 INT	310716	165.07 x 74.30 x 3.99	6.499 x 2.925 x .157
208772	FRICION BRONZE 19 INT	310716	165.07 x 74.30 x 3.99	6.499 x 2.925 x .157
208772	FRICION BRONZE 19 INT	310716	165.07 x 74.30 x 3.99	6.499 x 2.925 x .157
209087	STEEL DISH 42 EXT	310703	160.63 x 103.30 x 1.50	6.324 x 4.067 x .059
209087	STEEL DISH 42 EXT	310703	160.63 x 103.30 x 1.50	6.324 x 4.067 x .059
209087	STEEL DISH 42 EXT	310703	160.63 x 103.30 x 1.50	6.324 x 4.067 x .059
215296	STEEL 20 EXT	318701	191.50 x 117.50 x 2.10	7.530 x 4.620 x .083
216050	FRICION BRONZE 34 INT	310724	205.16 x 117.27 x 3.96	8.077 x 4.617 x .156
217163	FRICION BRONZE 60 INT	310704	195.20 x 145.11 x 3.96	7.685 x 5.713 x .156
217163	FRICION BRONZE 60 INT	310704	195.20 x 145.11 x 3.96	7.685 x 5.713 x .156

ALTO HEAVY DUTY CATALOG

CLARK

REF #	Description	ALTO #	INCH (ODxIDxThk)	MM (ODxIDxThk)
217163	FRICTION BRONZE 60 INT	310704	195.20 x 145.11 x 3.96	7.685 x 5.713 x .156
217163	FRICTION BRONZE 60 INT	310704	195.20 x 145.11 x 3.96	7.685 x 5.713 x .156
222391	FRICTION BRONZE 25 INT	310700	147.24 x 74.37 x 3.96	5.797 x 2.928 x .156
224246	STEEL 4 EXT	310701	162.03 x 115.93 x 1.70	6.379 x 4.564 x .067
232285	STEEL 16 EXT	310713	257.20 x 190.50 x 2.70	10.110 x 7.490 x .106
232394	STEEL 14 EXT	310715	218.97 x 158.93 x 2.73	8.621 x 6.257 x .108
232780	FRICTION GRAPHITIC 60 INT	310718	292.40 x 206.80 x 4.00	11.500 x 8.130 x .157
233166	FRICTION TAN PL 52 INT	023712-260	148.50 x 107.72 x 2.59	5.850 x 4.241 x .102
233166	FRICTION TAN PL 52 INT	023712-260	148.50 x 107.72 x 2.59	5.850 x 4.241 x .102
233166	FRICTION TAN PL 52 INT	023712-260	148.50 x 107.72 x 2.59	5.850 x 4.241 x .102
234108	FRICTION RED PL 45 INT	049740-230	133.35 x 92.79 x 2.31	5.250 x 3.653 x .091
234108	FRICTION RED PL 45 INT	049740-230	133.35 x 92.79 x 2.31	5.250 x 3.653 x .091
238260	STEEL 12 EXT	310719	257.05 x 190.83 x 2.59	10.120 x 7.513 x .102
242717	STEEL 35 EXT	310723	228.19 x 159.00 x 2.64	8.984 x 6.260 x .104
243691	STEEL 76 EXT	310721-180	182.88 x 118.21 x 1.75	7.200 x 4.654 x .069
243691	STEEL 76 EXT	310721-180	182.88 x 118.21 x 1.75	7.200 x 4.654 x .069
243691	STEEL 76 EXT	310721-180	182.88 x 118.21 x 1.75	7.200 x 4.654 x .069
243767	STEEL 16 HOLES	310725	355.57 x 319.92 x 4.65	13.999 x 12.359 x .183
244134	FRICTION 33 INT	310728-215	117.58 x 68.28 x 2.16	4.629 x 2.688 x .085
244134	FRICTION 33 INT	310728-215	117.58 x 68.28 x 2.16	4.629 x 2.688 x .085
244134	FRICTION 33 INT	310728-215	117.58 x 68.28 x 2.16	4.629 x 2.688 x .085
244979	FRICTION HEG WF 52 INT	310722	175.77 x 107.59 x 2.90	6.920 x 4.236 x .114
245238	STEEL 4 EXT	310729-150	129.16 x 76.00 x 1.52	5.085 x 2.992 x .060
2787359	STEEL 26 EXT	310727-225	143.46 x 89.51 x 2.24	5.649 x 3.524 x .088
2794675	FRICTION TAN WF 40 INT	310726-270	127.25 x 82.19 x 2.69	5.010 x 3.236 x .106
2810118	FRICTION HEG WF 52 INT	023712A295	148.5 x 107.72 x 2.95	5.850 x 4.241 x .116
2812288	STEEL 4 EXT	310701A228	155.55 x 116.00 x 2.29	6.124 x 4.567 x .090
28305	FRICTION BRONZE 45 INT	049700BR235	133.35 x 92.79 x 2.36	5.250 x 3.653 x .093
28305	FRICTION BRONZE 45 INT	049700BR235	133.35 x 92.79 x 2.36	5.250 x 3.653 x .093
28305	FRICTION BRONZE 45 INT	049700BR235	133.35 x 92.79 x 2.36	5.250 x 3.653 x .093
291578A1	FRICTION HEG WF 1 SIDE 54 EXT	310730-170	138.99 x 99.01 x 1.70	5.472 x 3.898 x .067
291579A1	FRICTION HEG WF 54 EXT	310732-262	138.99 x 99.01 x 2.62	5.472 x 3.898 x .103
291580A1	STEEL 45 INT	310731-198	128.60 x 92.79 x 1.98	5.063 x 3.653 x .078
4206373	FRICTION 52 INT	310740A267		
4206374	STEEL 52 INT	310747A195		
4206417	FRICTION 52 INT	310738A190		
4207140	STEEL 52 INT	310745-250		
4207141	FRICTION 52 INT	310742-290		
4207419	STEEL 52 INT	310739-300		
4207444	STEEL 52 INT	310743A235		
4207455	STEEL 52 INT	310741-230		
4215606	FRICTION 52 INT	310736-265		
4215607	FRICTION 52 INT	310737A270		
4215608	FRICTION 52 INT	310737B190		
4913971	STEEL 54 EXT	023701-300	138.99 x 99.01 x 3.01	5.472 x 3.898 x .119
4913985	FRICTION HEG PLI 45 INT	049720-200	133.35 x 92.79 x 2.08	5.250 x 3.653 x .082
878364	STEEL DISH 54 EXT	023703	138.99 x 99.01 x 1.73	5.472 x 3.898 x .068
927619	FRICTION HEG 36 INT	310734-236	134.11 x 87.88 x 2.36	5.280 x 3.460 x .093
927620	STEEL 6 EXT	310733-200	152.40 x 95.00 x 2.01	6.000 x 3.740 x .079
9502757	STEEL 60 EXT	023719	154.10 x 114.05 x 1.73	6.067 x 4.490 x .068
9502757	STEEL 60 EXT	023719	154.10 x 114.05 x 1.73	6.067 x 4.490 x .068
999736	FRICTION HEG PLI 90 INT	026720	61.59 x 125.27 x 1.91	6.362 x 4.932 x .075
9W-4954	FRICTION TAN PL 52 INT	023712-295	148.50 x 107.72 x 2.95	5.850 x 4.241 x .116
D77576	FRICTION BRONZE 52 INT	023712BR295	148.50 x 107.72 x 2.95	5.850 x 4.241 x .116

DAMPER ASSEMBLIES

REF #	Description	ALTO #	INCH (ODxIDxThk)	MM (ODxIDxThk)
105890	DAMPER CARRIER PLATE	DA-504	330.20 x 63.68 x 2.08	13.000 x 2.507 x .082
105890	DAMPER CARRIER PLATE	DA-504	330.20 x 63.68 x 2.08	13.000 x 2.507 x .082
106083	DAMPER CARRIER PLATE	DA-505	301.37 x 63.68 x 1.63	11.865 x 2.507 x .064
106083	DAMPER CARRIER PLATE	DA-505	301.37 x 63.68 x 1.63	11.865 x 2.507 x .064
1060836	DAMPER CARRIER PLATE	DA-506	301.32 x 63.68 x 1.57	11.836 x 2.507 x .062
1060836	DAMPER CARRIER PLATE	DA-506	301.32 x 63.68 x 1.57	11.836 x 2.507 x .062

ALTO HEAVY DUTY CATALOG

DAMPER ASSEMBLIES

REF #	Description	ALTO #	INCH (ODxIDxThk)	MM (ODxIDxThk)
N115485	DAMPER CARRIER PLATE	DA-502	352.27 x 63.68 x 2.18	13.869 x 2.507 x .086
N115495	DAMPER CARRIER PLATE	DA-503	301.70 x 51.26 x 1.63	11.878 x 2.018 x .064
UCL10107-14	DAMPER CARRIER PLATE	DA-501	301.70 x 51.26 x 1.57	11.878 x 2.018 x .062

DANA SPICER

REF #	Description	ALTO #	INCH (ODxIDxThk)	MM (ODxIDxThk)
11018222	STEEL 54 EXT	023701	138.99 x 99.01 x 1.73	5.472 x 3.898 x .068
6T-5099	FRICTION TAN PL 52 INT	023712-180	148.50 x 107.72 x 1.78	5.850 x 4.241 x .070
6Y-7929	FRICTION TAN PLI 45 INT	049700-216	133.35 x 92.79 x 2.16	5.250 x 3.653 x .085
727429	STEEL 1 EXTERNAL NOTCH	328705-267	162.97 x 79.98 x 2.67	6.416 x 3.149 x .105
727443	FRICTION AXLE BRAKE HEG PLI with 8 Holes 19 INT	328704-488	143.10 x 34.11 x 4.88	5.634 x 1.343 x .192
8033096	KIT - FRICTION & STEEL Contains: 4-328700, 4-328701	328750		
9502757	STEEL 60 EXT	023719	154.10 x 114.05 x 1.73	6.067 x 4.490 x .068
9W-4954	FRICTION TAN PL 52 INT	023712-295	148.50 x 107.72 x 2.95	5.850 x 4.241 x .116
CKC-68632	FRICTION HEG WF 40 INT	310726A250	127.25 x 82.19 x 2.54	5.010 x 3.236 x .100
D70672	FRICTION HEG PLI 45 INT	049722A155	133.35 x 92.79 x 1.55	5.250 x 3.653 x .061
R30WA109	STEEL 61 EXT	328701	200.10 x 102.10 x 6.10	7.870 x 4.010 x .087
R30WA120	FRICTION BRONZE 23 INT	328700	177.62 x 69.42 x 3.81	6.993 x 2.733 x .150

DOOSAN

REF #	Description	ALTO #	INCH (ODxIDxThk)	MM (ODxIDxThk)
DO222200012	FRICTION BRAKE PLATE 16 INT	306732-485	201.17 x 40.36 x 4.88	7.920 x 1.589 x .192
DO222200013	STEEL BRAKE PLATE 6 EXT	306731-266	19.61 x 145.77 x 2.67	8.464 x 5.739 x .105

EATON FULLER / CEEMAT

REF #	Description	ALTO #	INCH (ODxIDxThk)	MM (ODxIDxThk)
22450	FRICTION TAN WF - CONVERTER CLUTCH LARGE 99 INT	353706-340	386.18 x 311.53 x 3.38	15.204 x 12.265 x .133
224546	FRICTION TAN PLNI- CONVERTER CLUTCH SMALL 66 INT	353704-410	260.55 x 206.50 x 4.14	10.258 x 9.130 x .163
22466	STEEL - CONVERTER CLUTCH SMALL 66 EXT	353705-310	278.10 x 214.83 x 3.15	10.949 x 8.428 x .124
4303471	STEEL - CONVERTER CLUTCH LARGE (NOTCHED OD)	353707-310	451.92 x 322.30 x 3.12	17.792 x 12.689 x .123

EUCLID

REF #	Description	ALTO #	INCH (ODxIDxThk)	MM (ODxIDxThk)
217163	FRICTION BRONZE 60 INT	310704	195.20 x 145.11 x 3.96	7.685 x 5.713 x .156
232394	STEEL 14 EXT	310715	218.97 x 158.93 x 2.73	8.621 x 6.257 x .108
E4059006	STEEL 20 EXT	310711	670.31 x 467.87 x 3.10	26.390 x 18.420 x .122
E4059008	FRICTION GRAPHITE 52 INT	310712	646.94 x 431.55 x 5.28	25.470 x 16.990 x .208

EXEDY

REF #	Description	ALTO #	INCH (ODxIDxThk)	MM (ODxIDxThk)
TBA	FRICTION HEG WF 32 INT	354700-300	235.89 x 192.58 x 2.97	9.287 x 7.582 x .117
TBA	STEEL 6 EXT	354701-270	263.78 x 200.05 x 2.69	10.385 x 7.876 x .106

FIAT - ALLIS

REF #	Description	ALTO #	INCH (ODxIDxThk)	MM (ODxIDxThk)
11018222	STEEL 54 EXT	023701	138.99 x 99.01 x 1.73	5.472 x 3.898 x .068
19435	FRICTION BRONZE 34 INT	317712-250	198.15 x 140.54 x 2.49	7.801 x 5.533 x .098
19435	FRICTION BRONZE 34 INT	317712-250	198.15 x 140.54 x 2.49	7.801 x 5.533 x .098
230-4017	FRICTION - BRAKE 22 INT	317704-490	204.47 x 60.83 x 4.90	8.050 x 2.395 x .193
28305	FRICTION BRONZE 45 INT	049700BR235	133.35 x 92.79 x 2.36	5.250 x 3.653 x .093
28305	FRICTION BRONZE 45 INT	049700BR235	133.35 x 92.79 x 2.36	5.250 x 3.653 x .093
3T-9293	FRICTION BRONZE 68 EXT	332702	112.14 x 71.30 x 2.16	4.415 x 2.807 x .085
508053	STEEL 40 INT	330717-150	151.94 x 81.69 x 1.52	5.982 x 3.216 x .060
6830368	FRICTION BRONZE 60 INT	352704-388	253.59 x 187.81 x 3.91	9.984 x 7.394 x .154
6830368	FRICTION BRONZE 60 INT	352704-388	253.59 x 187.81 x 3.91	9.984 x 7.394 x .154
6837690	STEEL (10 Per unit) 6 EXT	352701	274.32 x 202.49 x 2.72	10.800 x 7.972 x .107
6837690	STEEL (10 Per unit) 6 EXT	352701	274.32 x 202.49 x 2.72	10.800 x 7.972 x .107
6L-9719	STEEL 42 INT	332703	101.60 x 64.69 x 1.59	4.000 x 2.547 x .063
71010964	FRICTION BRONZE 25 INT	317702-360	250.57 x 124.08 x 3.63	9.865 x 4.885 x .143
9502757	STEEL 60 EXT	023719	154.1 x 114.05 x 1.73	6.067 x 4.490 x .068

FORD INDUSTRIAL / NEW HOLLAND

ALTO HEAVY DUTY CATALOG

FORD INDUSTRIAL / NEW HOLLAND

REF #	Description	ALTO #	INCH (ODxDxThk)	MM (ODxDxThk)
1018224	FRICION BRONZE 45 INT	049700BR	128.60 x 92.79 x 1.55	5.063 x 3.653 x .061
1018224	FRICION BRONZE 45 INT	049700BR	128.60 x 92.79 x 1.55	5.063 x 3.653 x .061
1018224	FRICION BRONZE 45 INT	049700BR	128.60 x 92.79 x 1.55	5.063 x 3.653 x .061
11018222	STEEL 54 EXT	023701	138.99 x 99.01 x 1.73	5.472 x 3.898 x .068
11018222	STEEL 54 EXT	023701	138.99 x 99.01 x 1.73	5.472 x 3.898 x .068
11018222	STEEL 54 EXT	023701	138.99 x 99.01 x 1.73	5.472 x 3.898 x .068
13474AM	FRICION HEG PLI 45 INT	049720	133.35 x 92.79 x 1.55	5.250 x 3.653 x .061
13474AM	FRICION HEG PLI 45 INT	049720	133.35 x 92.79 x 1.55	5.250 x 3.653 x .061
1816970	FRICION PTO BRONZE 45 INT	311702	133.35 x 92.79 x 2.03	5.250 x 3.653 x .080
1816970	FRICION PTO BRONZE 45 INT	311702	133.35 x 92.79 x 2.03	5.250 x 3.653 x .080
1816970	FRICION PTO BRONZE 45 INT	311702	133.35 x 92.79 x 2.03	5.250 x 3.653 x .080
86962386	FRICION 555C / 555D BRONZE 36 INT	311720-244	133.40 x 90.30 x 2.44	5.252 x 3.555 x .096
86964288	FRICION 555C / 555D BRONZE 36 INT	311720-260	133.40 x 90.30 x 2.59	5.252 x 3.555 x .102
878364	STEEL DISH 54 EXT	023703	138.99 x 99.01 x 1.73	5.472 x 3.898 x .068
878364	STEEL DISH 54 EXT	023703	138.99 x 99.01 x 1.73	5.472 x 3.898 x .068
9502757	STEEL 60 EXT	023719	154.10 x 114.05 x 1.73	6.067 x 4.490 x .068
9502757	STEEL 60 EXT	023719	154.10 x 114.05 x 1.73	6.067 x 4.490 x .068
9502757	STEEL 60 EXT	023719	154.10 x 114.05 x 1.73	6.067 x 4.490 x .068
9502757	STEEL 60 EXT	023719	154.10 x 114.05 x 1.73	6.067 x 4.490 x .068
9502757	STEEL 60 EXT	023719	154.10 x 114.05 x 1.73	6.067 x 4.490 x .068
9502757	STEEL 60 EXT	023719	154.10 x 114.05 x 1.73	6.067 x 4.490 x .068
C5NN-2A097B	FRICION BRAKE BRONZE - EARLY STYLE 22 INT	311710A	204.50 x 53.52 x 4.88	8.051 x 2.107 x .192
C5NN-2N315A	STEEL BRAKE 1 LUG	311713	228.17 x 147.32 x 2.64	8.983 x 5.800 x .104
C5NN-2N315A	STEEL BRAKE 1 LUG	311713	228.17 x 147.32 x 2.64	8.983 x 5.800 x .104
C5NN-2N315B	STEEL BRAKE 1 LUG	311711	209.32 x 114.30 x 2.62	8.241 x 4.500 x .103
C7NN-2A097B	FRICION BRAKE BRONZE 5 SLOTS 22 INT	311712	223.77 x 53.52 x 3.10	8.810 x 2.107 x .122
C7NN-2A097B	FRICION BRAKE BRONZE 5 SLOTS 22 INT	311712	223.77 x 53.52 x 3.10	8.810 x 2.107 x .122
C7NN-2A097B	FRICION BRAKE BRONZE 5 SLOTS 22 INT	311712	223.77 x 53.52 x 3.10	8.810 x 2.107 x .122
C9NN-P743A	FRICION PTO TAN WF 52 INT	023712-230	148.5 x 107.72 x 2.29	5.850 x 4.241 x .090
C9NN-P743A	FRICION PTO TAN WF 52 INT	023712-230	148.50 x 107.72 x 2.29	5.850 x 4.241 x .090
C9NN-P743A	FRICION PTO TAN WF 52 INT	023712-230	148.50 x 107.72 x 2.29	5.850 x 4.241 x .090
C9NN-P743D	FRICION PTO BRONZE 52 INT	311700A	148.56 x 107.72 x 2.29	5.849 x 4.241 x .0895
D3NN-P743A	FRICION PTO BRONZE 52 INT	311700	148.56 x 107.72 x 2.29	5.849 x 4.241 x .090
DO222200012	FRICION BRAKE PLATE 16 INT	306732-485	201.17 x 40.36 x 4.88	7.920 x 1.589 x .192
DO222200013	STEEL BRAKE PLATE 6 EXT	306731-266	19.61 x 145.77 x 2.67	8.464 x 5.739 x .105
E9NN-2A097AA	FRICION BRAKE BRONZE - LATE STYLE 22 INT	311710	204.72 x 53.52 x 3.10	8.060 x 2.107 x .122
PBB-77519A	FRICION BRONZE 52 INT	023712BR	148.50 x 107.72 x 1.52	5.850 x 4.241 x .060

FORD TRACTOR

REF #	Description	ALTO #	INCH (ODxDxThk)	MM (ODxDxThk)
NA	FORD TRACTOR 8N, 9N, 2N, NAA, 600, 700, 800, 900 Contains: Clutch Cover, Clutch Disc, Release Bearing, Pilot Bearing, Alignment Tool	91900		

FUJI UNIVANCE

REF #	Description	ALTO #	INCH (ODxDxThk)	MM (ODxDxThk)
EW2080S00F	STEEL 52 INT	306739-240		
EW2090S00F	STEEL 52 INT	306739-210		
EW4070S00F	STEEL 56 INT	306735-240		
EW4110S00F	STEEL 56 INT	306735-210		
EW5120S00F	STEEL 62 INT	306737-262		
EW5130S00F	STEEL 62 INT	306737-240		

FUNK

REF #	Description	ALTO #	INCH (ODxDxThk)	MM (ODxDxThk)
1018224	FRICION BRONZE 45 INT	049700BR	128.60 x 92.79 x 1.55	5.063 x 3.653 x .061
1018224	FRICION BRONZE 45 INT	049700BR	128.60 x 92.79 x 1.55	5.063 x 3.653 x .061
1018224	FRICION BRONZE 45 INT	049700BR	128.60 x 92.79 x 1.55	5.063 x 3.653 x .061
11018222	STEEL 54 EXT	023701	138.99 x 99.01 x 1.73	5.472 x 3.898 x .068
4005524	FRICION TAN PL 45 INT	049700-180	133.35 x 92.79 x 1.80	5.250 x 3.653 x .071
4010556	STEEL 44 EXT	029701	113.49 x 79.60 x 1.73	4.468 x 3.134 x .068
4010595	FRICION BRONZE 36 INT	029712BR	107.87 x 73.76 x 1.57	4.247 x 2.904 x .062

ALTO HEAVY DUTY CATALOG

FUNK

REF #	Description	ALTO #	INCH (ODxIDxThk)	MM (ODxIDxThk)
40121323	STEEL - OE Style 60 EXT	079741	154.23 x 113.87 x 1.75	6.072 x 4.483 x .069
6T-9456	STEEL 60 EXT	023719-310	154.10 x 114.05 x 3.10	6.067 x 4.490 x .122
6T-9462	FRICTION HEG WF 52 INT	023722-180	148.59 x 101.70 x 1.80	5.850 x 4.240 x .071
878364	STEEL DISH 54 EXT	023703	138.99 x 99.01 x 1.73	5.472 x 3.898 x .068
878364	STEEL DISH 54 EXT	023703	138.99 x 99.01 x 1.73	5.472 x 3.898 x .068
878364	STEEL DISH 54 EXT	023703	138.99 x 99.01 x 1.73	5.472 x 3.898 x .068
9502757	STEEL 60 EXT	023719	154.10 x 114.05 x 1.73	6.067 x 4.490 x .068
9W-4954	FRICTION TAN PL 52 INT	023712-295	148.50 x 107.72 x 2.95	5.850 x 4.241 x .116
9W-8901	FRICTION TAN PL 52 INT	023712A170	148.50 x 107.72 x 1.70	5.850 x 4.241 x .067
9W-8901	FRICTION TAN PL 52 INT	023712A170	148.50 x 107.72 x 1.70	5.850 x 4.241 x .067
Not Available	STEEL 69 EXT	314701-190	177.09 x 131.90 x 1.93	6.972 x 5.193 x .076
YZ102-938	STEEL 69 EXT	079743	177.11 x 139.16 x 1.90	6.973 x 5.497 x .075
YZ103-269	FRICTION BRONZE 60 INT	314700	169.70 x 124.70 x 3.20	6.670 x 4.900 x .126
YZ105-493	FRICTION HEG PLI 52 INT	079744-275	169.60 x 107.29 x 2.79	6.677 x 4.224 x .110
YZ106-060	FRICTION TAN PLI 60 INT	314700A280	169.67 x 124.69 x 2.79	6.680 x 4.909 x .110
YZ501-1026	STEEL 66 EXT	079749	211.92 x 148.00 x 1.90	8.343 x 5.827 x .075
YZ501-1026	STEEL 66 EXT	079749	211.92 x 148.00 x 1.90	8.343 x 5.827 x .075
YZ501-1026	STEEL 66 EXT	079749	211.92 x 148.00 x 1.90	8.343 x 5.827 x .075
ZY105-481	FRICTION TAN PL 52 INT	023712-279	148.50 x 107.72 x 2.79	5.850 x 4.241 x .110

GALION

REF #	Description	ALTO #	INCH (ODxIDxThk)	MM (ODxIDxThk)
1018224	FRICTION BRONZE 45 INT	049700BR	128.60 x 92.79 x 1.55	5.063 x 3.653 x .061
1018224	FRICTION BRONZE 45 INT	049700BR	128.60 x 92.79 x 1.55	5.063 x 3.653 x .061
1018224	FRICTION BRONZE 45 INT	049700BR	128.60 x 92.79 x 1.55	5.063 x 3.653 x .061
1018238	FRICTION BRONZE 59 INT	023738BR	190.61 x 147.17 x 2.92	7.504 x 5.794 x .115
1018238	FRICTION BRONZE 59 INT	023738BR	190.61 x 147.17 x 2.92	7.504 x 5.794 x .115
1018239	STEEL 3 EXT	023739	214.83 x 155.58 x 1.75	8.458 x 6.125 x .069
1018239	STEEL 3 EXT	023739	214.83 x 155.58 x 1.75	8.458 x 6.125 x .069
11018222	STEEL 54 EXT	023701	138.99 x 99.01 x 1.73	5.472 x 3.898 x .068
11018222	STEEL 54 EXT	023701	138.99 x 99.01 x 1.73	5.472 x 3.898 x .068
208772	FRICTION BRONZE 19 INT	310716	165.07 x 74.30 x 3.99	6.499 x 2.925 x .157
D77576	FRICTION BRONZE 52 INT	023712BR295	148.50 x 107.72 x 2.95	5.850 x 4.241 x .116
D77576	FRICTION BRONZE 52 INT	023712BR295	148.50 x 107.72 x 2.95	5.850 x 4.241 x .116
D77576	FRICTION BRONZE 52 INT	023712BR295	148.50 x 107.72 x 2.95	5.850 x 4.241 x .116

GROVE

REF #	Description	ALTO #	INCH (ODxIDxThk)	MM (ODxIDxThk)
1018224	FRICTION BRONZE 45 INT	049700BR	128.60 x 92.79 x 1.55	5.063 x 3.653 x .061
1018238	FRICTION BRONZE 59 INT	023738BR	190.61 x 147.17 x 2.92	7.504 x 5.794 x .115
1018239	STEEL 3 EXT	023739	214.83 x 155.58 x 1.75	8.458 x 6.125 x .069
878364	STEEL DISH 54 EXT	023703	138.99 x 99.01 x 1.73	5.472 x 3.898 x .068
9904105541	FRICTION TAN PL 45 INT	049700	128.60 x 92.79 x 1.55	5.063 x 3.653 x .061

HELI

REF #	Description	ALTO #	INCH (ODxIDxThk)	MM (ODxIDxThk)
91324-02700	FRICTION HEG WF 41 INT	330700A260	124.64 x 68.83 x 2.59	4.907 x 2.710 x .102

HIDROMEK

REF #	Description	ALTO #	INCH (ODxIDxThk)	MM (ODxIDxThk)
F06/13869	STEEL 3 EXT	324701-385	238.02 x 140.08 x 3.89	9.371 x 5.515 x .153
F06/13871	FRICTION (8 HOLES) TAN PLNI 15 INT	324700A385	221.95 x 49.61 x 3.89	8.738 x 1.953 x .153

HYSTER

REF #	Description	ALTO #	INCH (ODxIDxThk)	MM (ODxIDxThk)
1018224	FRICTION BRONZE 45 INT	049700BR	128.60 x 92.79 x 1.55	5.063 x 3.653 x .061
1018224	FRICTION BRONZE 45 INT	049700BR	128.60 x 92.79 x 1.55	5.063 x 3.653 x .061
1018239	STEEL 3 EXT	023739	214.83 x 155.58 x 1.75	8.458 x 6.125 x .069
11018222	STEEL 54 EXT	023701	138.99 x 99.01 x 1.73	5.472 x 3.898 x .068
11018222	STEEL 54 EXT	023701	138.99 x 99.01 x 1.73	5.472 x 3.898 x .068
113486	FRICTION BRONZE 20 INT	318700	169.14 x 78.44 x 3.29	6.659 x 3.088 x .130
113486	FRICTION BRONZE 20 INT	318700	169.14 x 78.44 x 3.29	6.659 x 3.088 x .130

ALTO HEAVY DUTY CATALOG

HYSTER

REF #	Description	ALTO #	INCH (ODxIDxThk)	MM (ODxIDxThk)
113486	FRICTION BRONZE 20 INT	318700	169.14 x 78.44 x 3.29	6.659 x 3.088 x .130
1387235	STEEL 54 EXT	023701-250	138.99 x 99.01 x 2.50	5.472 x 3.898 x .098
1469300	FRICTION KEVLAR® PLI 45 INT	049730-250	133.35 x 92.79 x 2.51	5.250 x 3.653 x .099
215296	STEEL 20 EXT	318701	191.50 x 117.50 x 2.10	7.530 x 4.620 x .083
215296	STEEL 20 EXT	318701	191.50 x 117.50 x 2.10	7.530 x 4.620 x .083
234108	FRICTION RED PL 45 INT	049740-230	133.35 x 92.79 x 2.31	5.250 x 3.653 x .091
261542	STEEL 50 INT	318711	215.90 x 154.00 x 2.00	8.490 x 6.060 x .079
28305	FRICTION BRONZE 45 INT	049700BR235	133.35 x 92.79 x 2.36	5.250 x 3.653 x .093
28305	FRICTION BRONZE 45 INT	049700BR235	133.35 x 92.79 x 2.36	5.250 x 3.653 x .093
28305	FRICTION BRONZE 45 INT	049700BR235	133.35 x 92.79 x 2.36	5.250 x 3.653 x .093
319596	STEEL 54 EXT	023701A300	138.99 x 99.01 x 3.01	5.472 x 3.898 x .119
328715	FRICTION 72 EXT	318712	227.80 x 165.10 x 3.40	8.960 x 6.490 x .134
4913971	STEEL 54 EXT	023701-300	138.99 x 99.01 x 3.01	5.472 x 3.898 x .119
4913971	STEEL 54 EXT	023701-300	138.99 x 99.01 x 3.01	5.472 x 3.898 x .119
4913985	FRICTION HEG PLI 45 INT	049720-200	133.35 x 92.79 x 2.08	5.250 x 3.653 x .082
4913985	FRICTION HEG PLI 45 INT	049720-200	133.35 x 92.79 x 2.08	5.250 x 3.653 x .082
6Y-7929	FRICTION TAN PLI 45 INT	049700-216	133.35 x 92.79 x 2.16	5.250 x 3.653 x .085
878364	STEEL DISH 54 EXT	023703	138.99 x 99.01 x 1.73	5.472 x 3.898 x .068
878364	STEEL DISH 54 EXT	023703	138.99 x 99.01 x 1.73	5.472 x 3.898 x .068

HYUNDAI

REF #	Description	ALTO #	INCH (ODxIDxThk)	MM (ODxIDxThk)
DO222200012	FRICTION BRAKE PLATE 16 INT	306732-485	201.17 x 40.36 x 4.88	7.920 x 1.589 x .192
DO222200013	STEEL BRAKE PLATE 6 EXT	306731-266	19.61 x 145.77 x 2.67	8.464 x 5.739 x .105

INTERNATIONAL HARVESTER - HOUGH

REF #	Description	ALTO #	INCH (ODxIDxThk)	MM (ODxIDxThk)
1342285C1	FRICTION - BRONZE 19 INT	306702-467	203.20 x 57.20 x 4.70	7.990 x 2.250 x .185
19435	FRICTION BRONZE 34 INT	317712-250	198.15 x 140.54 x 2.49	7.801 x 5.533 x .098
19435	FRICTION BRONZE 34 INT	317712-250	198.15 x 140.54 x 2.49	7.801 x 5.533 x .098
40882D	STEEL 77 EXT	319707-250	398.07 x 304.93 x 2.49	15.672 x 12.005 x .098

INTERNATIONAL HARVESTER - J. I. CASE (Agricultural)

REF #	Description	ALTO #	INCH (ODxIDxThk)	MM (ODxIDxThk)
104712C21	FRICTION BRAKE TAN PLI (6 PER UNIT) 12 INT	351700	203.20 x 47.09 x 4.65	8.000 x 1.854 x .183
104713C21	STEEL (7 PER UNIT) 3 EXT	351701	249.56 x 125.37 x 2.29	9.825 x 4.936 x .090
13474AM	FRICTION HEG PLI 45 INT	049720	133.35 x 92.79 x 1.55	5.250 x 3.653 x .061
19435	FRICTION BRONZE 34 INT	317712-250	198.15 x 140.54 x 2.49	7.801 x 5.533 x .098
196680H-1	FRICTION BRONZE 52 INT	306718	292.00 x 214.05 x 5.11	11.496 x 8.427 x .201
1981246C1	FRICTION PTO HEG PLI 24 EXT	351706	133.83 x 95.63 x 1.91	5.269 x 3.765 x .075
2787359	STEEL 26 EXT	310727-225	143.46 x 89.51 x 2.24	5.649 x 3.524 x .088
3427270M1	BELLEVILLE SPRING PTO (DRY APPLICATION)	306761	220.73 x 149.89 x 3.10	8.690 x 5.901 x .122
3711395M1	BELLEVILLE SPRING PTO (DRY APPLICATION)	306760	205.71 x 153.26 x 2.64	8.099 x 6.034 x .104
380249R-3	FRICTION TAN PLI TORQUE AMPLIFIER 26 INT	351702	146.15 x 63.68 x 3.94	5.745 x 2.507 x .155
382342R1	STEEL TORQUE AMPLIFIER 6 EXT	351705-378	192.74 x 130.25 x 3.76	5.588 x 5.128 x .148
382343R	FRICTION BRONZE TORQUE AMPLIFIER 47 INT	351704BR	167.39 x 117.12 x 2.90	6.590 x 4.611 x .114
382344R1	STEEL TORQUE AMPLIFIER LOCKUP 6 EXT	351709-375	193.04 x 130.05 x 3.75	7.600 x 5.120 x .148
384430R-2	STEEL PISTON BACKING (1 PER UNIT) 12 EXT	351703A	174.63 x 85.73 x 2.54	6.875 x 3.375 x .100
384430R-2	STEEL PISTON BACKING (1 PER UNIT) 12 EXT	351703A	174.63 x 85.73 x 2.54	6.875 x 3.375 x .100
384431R-2	STEEL DRIVE (2 PER UNIT) 12 EXT	351703B	174.65 x 85.73 x 2.54	6.876 x 3.375 x .100
528696R-1	SHAFT IHC PTO fits Models: 756, 766, 856, 966, 986, 1066, 1086, 1456, 1466, 1486, 2856, 3088, 3288, 3688	306379		
6769326	STEEL 30 EXT	352711-495	386.94 x 322.78 x 4.95	15.234 x 12.708 x .195
A33012	FRICTION PTO BRONZE 24 EXT	351706BR	133.83 x 95.63 x 1.42	5.269 x 3.765 x .056
A59013	SPRING PTO	351767	86.08 x 76.96 x 1.27	3.389 x 3.030 x .050
A66365	STEEL PTO 17 INT	351707	126.90 x 69.85 x 1.12	4.996 x 2.750 x .044
NL	BRAKE KIT, WHEEL TYPE TRACTORS Contains: 6-351700, 7-351701, Orings & Metal clad seal Fits Models: 786, 886, 986, 1086, 1486, 3088, 3288, 3388, 3488, Hydro 3588, 3688, 3788, 6388, 6588, 6788 Hydro 186	351750X		
SBA320461550	DIAPHRAGM SPRING	306762	267.77 X 182.25 X 3.23	10.542 X 7.175 X .127

ALTO HEAVY DUTY CATALOG

INTERNATIONAL HARVESTER - J. I. CASE (Agricultural) PTO

REF #	Description	ALTO #	INCH (ODxDxThk)	MM (ODxDxThk)
381464	PISTON, PTO BRAKE ASSEMBLY MECHANICAL TYPE	306300		
381489R3	STEEL PTO 6 EXT	306701	146.05 x 103.30 x 1.73	5.750 x 4.067 x .068
381490R4	FRICTION PTO TAN PLI 51 INT	306704	135.08 x 95.02 x 2.54	5.318 x 3.741 x .100
381490R4D	FRICTION PTO - HEAVY DUTY HEG PLI 51 INT	306704A	135.08 x 95.02 x 2.54	5.318 x 3.741 x .100
66803C91HD	MODULE, FRICTION PTO HEAVY DUTY Contains: 7-306704A	306752AHD		
68802C91	MODULE, FRICTION & STEEL PTO Contains: 5-306704, 12-306701	306750		
68803C91	MODULE, FRICTION & STEEL PTO Contains: 7-306704, 9-306701	306750A		
68803C91HD	MODULE, FRICTION & STEEL PTO HEAVY DUTY Contains: 7-306704A, 9-306701	306750AHD		
77720C94	GASKET & SEAL KIT PTO W/PISTONS	306835		
77720C94	GASKET & SEAL KIT PTO WO/PISTONS	306835X		
77721	GASKET & SEAL KIT PTO WO/PISTONS	306835A		
77721S	GASKET & SEAL KIT PTO WO/PISTONS	306835AX		
877721	REBUILDING KIT PTO Heavy Duty with Seal Kit (Heg clutches)	306937AHD		
877721S	REBUILDING KIT PTO Heavy Duty with Seal Kit (No Pistons) (Heg clutches)	306937AXHD		
NA	PISTON KIT PTO (Contains 3 Pistons)	306670		
NA	PISTON, PTO BRAKE ASSEMBLY HYDRAULIC TYPE	306300A		
NA	REBUILDING KIT PTO Heavy Duty with Pistons and Seal Kit (Heg clutches)	306935AHD		
NA	REBUILDING KIT PTO Heavy Duty with Seal Kit (No Pistons) (Heg clutches)	306935AXHD		
NA	REBUILDING KIT PTO with Pistons and Seal Kit (Tan clutches)	306935		
NA	REBUILDING KIT PTO with Pistons and Seal Kit (Tan clutches)	306935A		
NA	REBUILDING KIT PTO with Seal Kit (No Pistons) (Tan clutches)	306935AX		
NA	REBUILDING KIT PTO with Seal Kit (No Pistons) (Tan clutches)	306935X		

J.I. CASE / I.H.C. / DRESSER IND.

REF #	Description	ALTO #	INCH (ODxDxThk)	MM (ODxDxThk)
1004876	FRICTION BRONZE 52 INT	023712BR260	148.50 x 107.72 x 2.62	5.850 x 4.241 x .103
1004876	FRICTION BRONZE 52 INT	023712BR260	148.50 x 107.72 x 2.62	5.850 x 4.241 x .103
1018224	FRICTION BRONZE 45 INT	049700BR	128.60 x 92.79 x 1.55	5.063 x 3.653 x .061
1018224	FRICTION BRONZE 45 INT	049700BR	128.60 x 92.79 x 1.55	5.063 x 3.653 x .061
1018238	FRICTION BRONZE 59 INT	023738BR	190.61 x 147.17 x 2.92	7.504 x 5.794 x .115
1018238	FRICTION BRONZE 59 INT	023738BR	190.61 x 147.17 x 2.92	7.504 x 5.794 x .115
1018239	STEEL 3 EXT	023739	214.83 x 155.58 x 1.75	8.458 x 6.125 x .069
11018222	STEEL 54 EXT	023701	138.99 x 99.01 x 1.73	5.472 x 3.898 x .068
11018222	STEEL 54 EXT	023701	138.99 x 99.01 x 1.73	5.472 x 3.898 x .068
11300	FRICTION BRONZE 45 INT	049700A150	133.35 x 92.79 x 1.50	5.250 x 3.653 x .059
1342285C1	FRICTION - BRONZE 19 INT	306702-467	203.20 x 57.20 x 4.70	7.990 x 2.250 x .185
1342285C1	FRICTION - BRONZE 19 INT	306702-467	203.20 x 57.20 x 4.70	7.990 x 2.250 x .185
1342285C1	FRICTION - BRONZE 19 INT	306702-467	203.20 x 57.20 x 4.70	7.990 x 2.250 x .185
13474AM	FRICTION HEG PLI 45 INT	049720	133.35 x 92.79 x 1.55	5.250 x 3.653 x .061
181158A1	FRICTION BRONZE 45 INT	049700A175	133.35 x 92.79 x 1.75	5.520 x 3.653 x .069
181159A1	STEEL 6 EXT	306705-250	150.95 x 98.76 x 2.50	5.943 x 3.888 x .098
1981314-C1	FRICTION RED SB - POWERSHIFT CLUTCH DISC (Partial Assembly-without Hub and Retainer)	900-CP15	301.75 x 63.45 x 1.98	11.880 x 2.498 x .078
1997959-C1	FRICTION HEG WF 39 INT	306726-284	228.50 x 161.90 x 2.79	8.996 x 6.374 x .110
208772	FRICTION BRONZE 19 INT	310716	165.07 x 74.30 x 3.99	6.499 x 2.925 x .157
28305	FRICTION BRONZE 45 INT	049700BR235	133.35 x 92.79 x 2.36	5.250 x 3.653 x .093
28305	FRICTION BRONZE 45 INT	049700BR235	133.35 x 92.79 x 2.36	5.250 x 3.653 x .093
324122R1	STEEL 3 LUGS	306725-180	170.26 x 101.70 x 1.80	6.703 x 4.004 x .071
324123R1	FRICTION BRONZE 17 INT	306722-280	165.05 x 50.80 x 2.79	6.498 x 2.000 x .110
324123R1	FRICTION BRONZE 17 INT	306722-280	165.05 x 50.80 x 2.79	6.498 x 2.000 x .110
324241R1X	STEEL (1.65mm Thick) 8 EXT	306709	142.62 x 99.14 x 1.6	5.615 x 3.903 x .063
324241R1X	STEEL (1.65mm Thick) 8 EXT	306709	142.62 x 99.14 x 1.60	5.615 x 3.903 x .063
324452R1	STEEL (MATES WITH 306720A) 8 EXT	306721A308	243.92 x 172.39 x 3.07	9.603 x 6.787 x .121
327186R1	STEEL 3 LUGS	306723-240	183.54 x 101.63 x 2.39	7.226 x 4.001 x .094
381489R3	STEEL PTO 6 EXT	306701	146.05 x 103.30 x 1.73	5.750 x 4.067 x .068

ALTO HEAVY DUTY CATALOG

J.I. CASE / I.H.C. / DRESSER IND.

REF #	Description	ALTO #	INCH (ODxIDxThk)	MM (ODxIDxThk)
381489R-3X	FRICTION PTO - 1 SIDE FRICTION EXTERNAL SPLINE 6 EXT	306701B	146.05 x 103.30 x 1.73	5.750 x 4.067 x .068
381490R4	FRICTION PTO TAN PLI 51 INT	306704	135.08 x 95.02 x 2.54	5.318 x 3.741 x .100
381490R4D	FRICTION PTO - HEAVY DUTY HEG PLI 51 INT	306704A	135.08 x 95.02 x 2.54	5.318 x 3.741 x .100
381490R-4X	FRICTION PTO - 1 SIDE FRICTION INTERNAL SPLINE 51 INT	306704B	135.08 x 95.02 x 2.54	5.318 x 3.741 x .100
381-922-539C1	STEEL 85 EXT	306711	181.08 x 85.83 x 1.70	7.129 x 3.379 x .067
381-922-541C1	FRICTION RED WF 32 INT	306710R	166.98 x 78.74 x 1.80	6.574 x 3.100 x .071
381-922-549C1	STEEL 85 EXT	306713	181.08 x 112.78 x 1.70	7.129 x 4.440 x .067
381-922-551C1	FRICTION RED PLI 34 INT	306712R	167.18 x 104.82 x 1.80	6.582 x 4.127 x .071
381-922-551C1	FRICTION TAN PLI 34 INT	306712	167.18 x 104.82 x 1.80	6.582 x 4.127 x .071
381-922-913C1	SPRING	320767	180.00 x 173.40 x 0.35	7.080 x 6.820 x .014
464-430-8328	STEEL (Mates with 329708) 35 INT	329709-150	171.15 x 103.07 x 1.52	6.738 x 4.058 x .060
4913985	FRICTION HEG PLI 45 INT	049720-200	133.35 x 92.79 x 2.08	5.250 x 3.653 x .082
53951	FRICTION OUTPUT BRONZE (20 PER UNIT) 29 INT	307702-250	168.58 x 119.43 x 2.54	6.637 x 4.702 x .100
619200C	FRICTION BRONZE 39 INT	306720A	228.70 x 161.85 x 2.84	9.004 x 6.372 x .112
619200C	FRICTION BRONZE 39 INT	306720A	228.70 x 161.85 x 2.84	9.004 x 6.372 x .112
635384R-2	STEEL MODEL 500 (8 PER SIDE) 9 EXT	306715-230	249.33 x 143.66 x 2.24	9.816 x 5.656 x .088
658354C2	FRICTION 45 INT	306744	266.70 x 187.20 x 2.80	10.490 x 7.360 x .110
659592C-1	STEEL 54 EXT	306745	276.10 x 200.70 x 2.30	10.860 x 7.890 x .090
676833R-1	STEEL MODEL 500C, 500D, 500E (8 PER SIDE) 9 EXT	306717-250	274.70 x 178.82 x 2.26	10.815 x 7.040 x .089
6830368	FRICTION BRONZE 60 INT	352704-388	253.59 x 187.81 x 3.91	9.984 x 7.394 x .154
6830920	FRICTION HEG PLI 72 INT	352702-520	371.68 x 302.74 x 5.18	14.633 x 11.919 x .204
716719C-1	STEEL 28 EXT	306719-120	143.81 x 100.13 x 1.22	5.662 x 3.942 x .048
878364	STEEL DISH 54 EXT	023703	138.99 x 99.01 x 1.73	5.472 x 3.898 x .068
886934C1	FRICTION BRONZE 34 INT	306706B168	146.00 x 105.00 x 1.68	5.740 x 4.130 x .066
92934C2	STEEL- Case/Magnum 6 EXT	306733	140.91 x 107.11 x 1.19	5.548 x 4.217 x .047
92935C5	FRICTION- Case/Magnum 48 INT	306734	141.12 x 105.23 x 1.98	5.556 x 4.143 x .078
9398112	FRICTION BRONZE 35 EXT	329708	177.32 x 109.22 x 2.01	6.981 x 4.300 x .079
9398112	FRICTION BRONZE 35 EXT	329708	177.32 x 109.22 x 2.01	6.981 x 4.300 x .079
9502757	STEEL 60 EXT	023719	154.1 x 114.05 x 1.73	6.067 x 4.490 x .068
9502757	STEEL 60 EXT	023719	154.1 x 114.05 x 1.73	6.067 x 4.490 x .068
9502757	STEEL 60 EXT	023719	154.10 x 114.05 x 1.73	6.067 x 4.490 x .068
9502757	STEEL 60 EXT	023719	154.10 x 114.05 x 1.73	6.067 x 4.490 x .068
A52252	STEEL 580K BACKHOE (1 LUG)	306703-300	238.02 x 120.55 x 3.05	9.371 x 4.746 x .120
CKC-68632	FRICTION HEG WF 40 INT	310726A250	127.25 x 82.19 x 2.54	5.010 x 3.236 x .100
D50047	STEEL (BELLEVILLE) 8 INT	023767	134.34 x 100.08 x 1.85	5.289 x 3.940 x .073
D77576	FRICTION BRONZE 52 INT	023712BR295	148.50 x 107.72 x 2.95	5.850 x 4.241 x .116
DO222200012	FRICTION BRAKE PLATE 16 INT	306732-485	201.17 x 40.36 x 4.88	7.920 x 1.589 x .192
DO222200013	STEEL BRAKE PLATE 6 EXT	306731-266	19.61 x 145.77 x 2.67	8.464 x 5.739 x .105
DO222200013	STEEL BRAKE PLATE 6 EXT	306731-266	19.61 x 145.77 x 2.67	8.464 x 5.739 x .105
G101711	STEEL Models 450, 850, 1150, 1450, B,C,D, 46 EXT	306729-320	200.81 x 139.65 x 3.18	7.906 x 5.498 x .125
G102354	FRICTION BRONZE 29 INT	306708-480	190.53 x 117.07 x 4.75	7.501 x 4.609 x .187
NA	STEEL 88 EXT	306714-310	189.23 x 141.53 x 3.10	7.45 x 5.572 x .122
PBB-77519A	FRICTION BRONZE 52 INT	023712BR	148.50 x 107.72 x 1.52	5.850 x 4.241 x .060

JCB Clutches

REF #	Description	ALTO #	INCH (ODxIDxThk)	MM (ODxIDxThk)
04-500229	STEEL - PRESSURE PLATE 54 EXT	023761	138.94 x 98.58 x 8.66	5.471 x 3.881 x .341
04-500233	STEEL - PRESSURE PLATE 54 EXT	023760	138.99 x 99.01 x 8.18	5.472 x 3.898 x .322
1018224	FRICTION BRONZE 45 INT	049700BR	128.60 x 92.79 x 1.55	5.063 x 3.653 x .061
11018222	STEEL 54 EXT	023701	138.99 x 99.01 x 1.73	5.472 x 3.898 x .068
13474AM	FRICTION HEG PLI 45 INT	049720	133.35 x 92.79 x 1.55	5.250 x 3.653 x .061
13474AM	FRICTION HEG PLI 45 INT	049720	133.35 x 92.79 x 1.55	5.250 x 3.653 x .061
234108	FRICTION RED PL 45 INT	049740-230	133.35 x 92.79 x 2.31	5.250 x 3.653 x .091
331-16516	STEEL 57 EXT	324703-200	147.14 x 99.49 x 2.03	5.793 x 3.917 x .080
331-16519	STEEL 57 EXT	324707-120	147.30 x 99.40 x 1.20	5.790 x 3.910 x .047
331-16520	FRICTION TAN SB 45 INT	324702-240	140.21 x 92.84 x 2.39	5.517 x 3.641 x .094
331-31560	STEEL 18 EXT	023761-400	139.14 x 98.73 x 4.06	5.478 x 3.887 x .160
331-31561	STEEL 18 EXT	023761-600	138.76 x 98.15 x 5.97	5.463 x 3.864 x .235
445-03206	STEEL 6 EXT	023751A	150.95 x 98.76 x 1.80	5.943 x 3.888 x .071
445-05107	STEEL 8 EXT	023763-150	111.02 x 66.73 x 1.47	4.371 x 2.627 x .058

ALTO HEAVY DUTY CATALOG

JCB Clutches

REF #	Description	ALTO #	INCH (ODxIDxThk)	MM (ODxIDxThk)
445-10602	STEEL 18 EXT	023762-600	138.76 x 98.15 x 6.01	5.463 x 3.864 x .236
445-12314	STEEL 54 EXT	023701-120	138.99 x 99.01 x 1.19	5.472 x 3.898 x .047
445-30011	FRICTION TAN PPL 45 INT	049740B230	133.35 x 92.79 x 2.31	5.250 x 3.653 x .091
453-15301	STEEL 9 EXT	324705-378	240.26 x 130.05 x 3.81	9.459 x 5.120 x .150
D50047	STEEL (BELLEVILLE) 8 INT	023767	134.34 x 73.74 x 1.85	5.289 x 2.903 x .073
F06/13869	STEEL 3 EXT	324701-385	238.02 x 140.08 x 3.89	9.371 x 5.515 x .153
F06/13871	FRICTION (8 HOLES) TAN PLNI 15 INT	324700A385	221.95 x 49.61 x 3.89	8.738 x 1.953 x .153
F06/13871	FRICTION (8 HOLES) TAN PLNI 15 INT	324700A385	221.95 x 49.61 x 3.89	8.738 x 1.953 x .153

JCB Misc. Parts

REF #	Description	ALTO #	INCH (ODxIDxThk)	MM (ODxIDxThk)
04-500201	Ring - Drive Gear	038105		
04-500204	Thrust Washer	023196		
04-500208	Spring - Reverse Pressure Plate	023276		
04-500211A	Seal - Reverse Outer	023050A		
04-500213	Gasket - Forward/Reverse	023020		
04-50021A	Seal - Front Pump	023002		
04-500237A	Seal - Forawrd Clutch Outer	023054A		
04-500241	Snap Ring - Reverse Gear	023252		
04-500242	Thrust Washer	023188		
04-500243	Thrust Washer	023187		
04-500274	Gasket - Valve Cover	023022		
2401-0020	O-Ring	010210A		

JCB Overhaul Kit

REF #	Description	ALTO #	INCH (ODxIDxThk)	MM (ODxIDxThk)
NA	T72 Overhaul Kit contains Rubber Seals, Metal Clad Seals and Orings	023812		

JOHN DEERE

REF #	Description	ALTO #	INCH (ODxIDxThk)	MM (ODxIDxThk)
1018224	FRICTION BRONZE 45 INT	049700BR	128.60 x 92.79 x 1.55	5.063 x 3.653 x .061
1018238	FRICTION BRONZE 59 INT	023738BR	190.61 x 147.17 x 2.92	7.504 x 5.794 x .115
1018239	STEEL 3 EXT	023739	214.83 x 155.58 x 1.75	8.458 x 6.125 x .069
11018222	STEEL 54 EXT	023701	138.99 x 99.01 x 1.73	5.472 x 3.898 x .068
508053	STEEL 40 INT	330717-150	151.94 x 81.69 x 1.52	5.982 x 3.216 x .060
7L-7782	FRICTION BRONZE 76 EXT	332704	164.24 x 103.81 x 2.87	6.466 x 4.087 x .113
9904105541	FRICTION TAN PL 45 INT	049700	128.60 x 92.79 x 1.55	5.063 x 3.653 x .061
9904105541	FRICTION TAN PL 45 INT	049700	128.60 x 92.79 x 1.55	5.063 x 3.653 x .061
9904105541	FRICTION TAN PL 45 INT	049700	128.60 x 92.79 x 1.55	5.063 x 3.653 x .061
AR-108105	FRICTION TAN PL 45 INT	049700-250	133.35 x 92.79 x 2.49	5.250 x 3.653 x .098
AR-94517	FRICTION HEG WF 42 INT	319702	197.36 x 130.43 x 3.30	7.770 x 5.135 x .130
AT339922	FRICTION 34 INT	313720-160	109.72 x 68.32 x 1.60	4.320 x 2.690 x .063
CE20586	STEEL 8 EXT	319733-375	146.00 X 101.00 X 3.74	5.748 X 3.976 X .148
M3293T	FRICTION (FIBER) 26 INT	313704-400	216.03 x 125.35 x 3.94	8.505 x 4.935 x .155
M-872T	STEEL 6 EXT	313713	235.59 x 161.98 x 2.21	9.725 x 6.377 x .087
Not Available	STEEL 69 EXT	314701-190	177.09 x 131.90 x 1.93	6.972 x 5.193 x .076
R-31404-R	FRICTION 54 INT	319710	177.62 x 112.78 x 2.92	6.993 x 4.440 x .115
R-31404-R	FRICTION 54 INT	319710	177.62 x 112.78 x 2.92	6.993 x 4.440 x .115
R39259	STEEL PLATE 6 EXT	313719-157	142.06 x 99.19 x 1.50	5.593 x 3.905 x .059
RE29815	FRICTION 6 EXT	319734-230		
T-140926	STEEL (3 TEETH REMOVED) 51 EXT	023701A	138.99 x 99.01 x 1.73	5.472 x 3.898 x .068
T-14339	STEEL 6 EXT	313715	275.82 x 177.90 x 2.64	10.859 x 7.004 x .104
T14340	STEEL 33 INT	313706-480		
T-20716	FRICTION (FIBER) 38 INT	313708-490	276.83 x 188.47 x 4.90	10.899 x 7.420 x .193
T-20717	STEEL 6 EXT	313711-240	301.60 x 206.50 x 2.40	11.860 x 8.120 x .094
T-20790	FRICTION (FIBER) 30 INT	313702-450	227.89 x 147.98 x 4.50	8.972 x 5.826 x .177
T-211817	FRICTION RED PLI 38 INT	313714-480	274.45 x 188.34 x 4.88	10.805 x 7.415 x .192
T-211817	FRICTION RED PLI 38 INT	313714-480	274.45 x 188.34 x 4.88	10.805 x 7.415 x .192
T-21315	STEEL 6 EXT	313701	245.90 x 174.96 x 2.41	9.681 x 6.888 x .095
T-31732	STEEL 6 EXT	313711	301.24 x 206.45 x 2.62	11.860 x 8.128 x .103
T-40018	FRICTION BRONZE 12 EXT	351708	152.35 x 107.92 x 2.08	5.998 x 4.249 x .082

ALTO HEAVY DUTY CATALOG

JOHN DEERE

REF #	Description	ALTO #	INCH (ODxIDxThk)	MM (ODxIDxThk)
T-44128	FRICTION BRONZE 30 INT	313712-450	147.90 x 147.90 x 4.50	8.930 x 5.820 x .177
T-44129	FRICTION 22 INT	313710-475	204.72 x 53.52 x 4.80	8.060 x 2.107 x .189
YZ100952	STEEL PARK BRAKE 8 EXT	313721-307	209.35 x 138.43 x 3.07	8.242 x 5.450 x .121
YZ106-060	FRICTION TAN PLI 60 INT	314700A280	169.67 x 124.69 x 2.79	6.680 x 4.909 x .110
ZY105-481	FRICTION TAN PL 52 INT	023712-279	148.50 x 107.72 x 2.79	5.850 x 4.241 x .110

JOHN DEERE BRAKE

REF #	Description	ALTO #	INCH (ODxIDxThk)	MM (ODxIDxThk)
AL-38236	FRICTION BRAKE DISC 12 INT	313760	305.46 x 45.49 x 9.78	12.026 x 1.791 x .385
AL-38236	FRICTION BRAKE DISC 12 INT	313760	305.46 x 45.49 x 9.78	12.026 x 1.791 x .385
R-110464	FRICTION BRAKE PAD 7" KEVLAR Also fits 50 SERIES Tractors	099722K	3.200	.126
R-111122	FRICTION BRAKE PAD 6" KEVLAR Also fits 50 SERIES Tractors	099720K	3.200	.126
R-90090	FRICTION BRAKE PAD 7-1/4" KEVLAR Also fits 50 SERIES Tractors	099724K	3.200	.126

JOHN DEERE DIFFERENTIAL

REF #	Description	ALTO #	INCH (ODxIDxThk)	MM (ODxIDxThk)
KIT	MODULE, FRICTION & STEEL Contains: 3 319730-325, 2-319731-300, 1-319731A300	319750		
N L	FRICTION TAN WF (42 TOOTH COUNT) 42 INT	319730-325	228.55 x 146.35 x 3.25	8.998 x 5.762 x .128
R-34857	STEEL 12 EXT	319731A300	252.06 x 157.18 x 3.05	9.924 x 6.188 x .120
R-34858	STEEL (ROUND TOOTH) 9 EXT	319731-300	255.52 x 157.18 x 3.05	10.060 x 6.188 x .120
RE-53823	FRICTION TAN WF (47 TOOTH COUNT) 42 INT	319730A325	228.55 x 146.35 x 3.25	8.998 x 5.762 x .128

JOHN DEERE MISC.

REF #	Description	ALTO #	INCH (ODxIDxThk)	MM (ODxIDxThk)
T-141566	WASHER J DEERE DIFFERENTIAL	319501		
T-21418	ROLLER/BEARINGG J DEERE DIFFERENTIAL (23 PER PACK)	319325UP23		

JOHN DEERE POWERSHIFT

REF #	Description	ALTO #	INCH (ODxIDxThk)	MM (ODxIDxThk)
AR-40896	FRICTION POWERSHIFT HEG PLI 104 INT	319714-330	323.32 x 262.86 x 3.30	12.279 x 10.349 x .130
AR-40896	FRICTION POWERSHIFT HEG PLI 104 INT	319714-330	323.32 x 262.86 x 3.30	12.279 x 10.349 x .130
AR-40896	FRICTION POWERSHIFT HEG PLI 104 INT	319714-330	323.32 x 262.86 x 3.30	12.279 x 10.349 x .130
AR-40896	FRICTION POWERSHIFT HEG PLI 104 INT	319714-330	323.32 x 262.86 x 3.30	12.279 x 10.349 x .130
AR-94516	FRICTION HEG WF 54 INT	319700	177.80 x 112.78 x 2.92	7.000 x 4.440 x .115
AR-94517	FRICTION HEG WF 42 INT	319702	197.36 x 130.43 x 3.30	7.770 x 5.135 x .130
AT-179473	FRICTION HEG WF 40 INT	313716-160	119.74 x 79.25 x 1.60	4.714 x 3.120 x .063
AT-179473	FRICTION HEG WF 40 INT	313716-160	119.74 x 79.25 x 1.60	4.714 x 3.120 x .063
R-31404-R	FRICTION 54 INT	319710	177.62 x 112.78 x 2.92	6.993 x 4.440 x .115
R-46391	STEEL 6 EXT	319701	195.07 x 120.65 x 3.05	7.680 x 4.750 x .120
R-46416	STEEL POWERSHIFT 4 EXT	319715-310	345.19 x 269.32 x 3.07	13.590 x 10.603 x .121
R-46418	STEEL 6 EXT	319703	216.84 x 138.02 x 2.97	8.537 x 5.434 x .117
R-48236	STEEL POWERSHIFT 4 EXT	319705-300	307.57 x 246.58 x 3.05	12.109 x 9.708 x .120
R-56547	STEEL POWERSHIFT 1 NOTCHED LUG 6 EXT	319701A310	195.07 x 120.65 x 3.05	7.680 x 4.750 x .120
R-77671	STEEL 6 EXT	319709-200	196.60 x 120.93 x 1.98	7.740 x 4.761 x .078
R-86308	STEEL 8 EXT	319711-300	355.86 x 268.99 x 3.07	14.010 x 10.590 x .121
RE-17162	FRICTION POWERSHIFT HEG PLI 94 INT	319704-300	295.25 x 239.80 x 3.05	11.624 x 9.441 x .120
RE-239059	FRICTION POWERSHIFT 4955 48 INT	319716A360	279.70 x 152.60 x 3.60	11.000 x 6.000 x .142
RE-28023	FRICTION BRONZE 42 INT	319712	197.36 x 130.43 x 3.30	7.770 x 5.135 x .130
RE-29816	FRICTION DIFF LOCK FWD Fits 50, 55, 60, Mid 80 to 90 Series (2 Teeth Removed) 43 INT	049720B186	133.35 x 92.79 x 1.86	5.250 x 3.653 x .073
RE-35517	FRICTION HEG PL 88 EXT	319708-330	234.75 x 187.12 x 3.33	9.242 x 7.367 x .131
T-158801	STEEL POWERSHIFT FWD/REV Plus 1,2,3,4 and FORWARD 30 EXT	313717-180	131.10 x 86.30 x 1.80	5.160 x 3.390 x .071

JOHN DEERE PTO

REF #	Description	ALTO #	INCH (ODxIDxThk)	MM (ODxIDxThk)
AR-108105	FRICTION PTO HEG PLI 45 INT	319722G	133.35 x 92.79 x 2.49	5.250 x 3.653 x .098

ALTO HEAVY DUTY CATALOG

JOHN DEERE PTO

REF #	Description	ALTO #	INCH (ODxIDxThk)	MM (ODxIDxThk)
R-61066	STEEL QUAD RANGE WITH PTO Models: 4030, 4040, 4050, 4230, 4240, 4250, 4350, 4430, 4440, 4450, 4455, 4475, 4560, 4630, 4640, 4650, 4755, 4760, 4850, 4955, 4960 3 EXT	319723-560	361.90 x 176.00 x 5.60	14.230 x 6.920 x .220
RE-234264	FRICTION QUAD RANGE WITH PTO HEG WF (22 HOLES around ID) Models: 4030, 4040, 4050, 4230, 4240, 4250, 4350, 4430, 4440, 4450, 4455, 4475, 4560, 4630, 4640, 4650, 4755, 4760, 4850, 4955, 4960 48 INT	319724A350	305.71 x 149.35 x 3.73	12.036 x 5.880 x .147
RE-37011	FRICTION PTO TAN 45 INT	319720	133.35 x 92.79 x 1.60	5.250 x 3.653 x .063
T-28664	STEEL PTO 10 EXT	319721	142.80 x 99.10 x 2.30	5.620 x 3.900 x .090

JOHN DEERE SYNCHRO

REF #	Description	ALTO #	INCH (ODxIDxThk)	MM (ODxIDxThk)
AR-27727	STEEL SYNCHRO (REVERSE, LOW, HIGH) 4 INT	321701	104.72 x 71.50 x 1.19	4.123 x 2.815 x .047
AR-44997	FRICTION TAN WF SYNCHRO(REVERSE, LOW, HIGH) 6 EXT	321700	115.01 x 82.52 x 2.01	4.528 x 3.249 x .079
AR-44997	FRICTION TAN WF SYNCHRO(REVERSE, LOW, HIGH) 6 EXT	321700	115.01 x 82.52 x 2.01	4.528 x 3.249 x .079
RE-37119	KIT, SYNCHRO (REVERSE, LOW, HIGH) NOTE: 3 KITS/FULL SYNCHRO Contains: 3-321700, 2-321701	321750		
T-158801	STEEL POWERSHIFT FWD/REV Plus 1,2,3,4 and FORWARD 30 EXT	313717-180	131.10 x 86.30 x 1.80	5.160 x 3.390 x .071

KOMATSU

REF #	Description	ALTO #	INCH (ODxIDxThk)	MM (ODxIDxThk)
120-22-31221	STEEL 74 INT	325705-260	287.02 x 214.78 x 2.57	11.300 x 8.456 x .101
130-22-11320	STEEL 81 INT	325713-260	349.91 x 237.57 x 2.60	13.78 x 9.353 x .102
235-25-11360	FRICTION - BRAKE DISC HEG PLI 105 INT	320718-380	399.31 x 309.50 x 3.81	15.571 x 12.185 x .150
235-25-51430	STEEL - BRAKE DISC MATING PLATE 138 EXT	320719-230	419.94 x 324.56 x 2.31	16.533 x 12.778 x .091
34C-15-11350	FRICTION BRONZE 47 INT	325706-300	151.66 x 90.53 x 3.02	5.971 x 3.564 x .119
381-922-539C1	STEEL 85 EXT	306711	181.08 x 85.83 x 1.70	7.129 x 3.379 x .067
381-922-541C1	FRICTION RED WF 32 INT	306710R	166.98 x 78.74 x 1.80	6.574 x 3.100 x .071
381-922-549C1	STEEL 85 EXT	306713	181.08 x 112.78 x 1.70	7.129 x 4.440 x .067
381-922-551C1	FRICTION RED PLI 34 INT	306712R	167.18 x 104.82 x 1.80	6.582 x 4.127 x .071
381-922-913C1	SPRING	320767	180.00 x 173.40 x 0.35	7.080 x 6.820 x .014
3EA-15-11172	FRICTION HEG WF 41 INT	330700B300	124.64 x 68.83 x 3.05	4.907 x 2.710 x .120
3EA-15-11172	FRICTION HEG WF 41 INT	330700B300	124.64 x 68.83 x 3.05	4.907 x 2.710 x .120
3EA-15-11180	STEEL 4 EXT	079731-310	137.82 x 80.09 x 3.18	5.426 x 3.153 x .125
3EA-15-11180	STEEL 4 EXT	079731-310	137.82 x 80.09 x 3.18	5.426 x 3.153 x .125
3EC-15-19270	FRICTION BRONZE 47 INT	325702BR	147.19 x 90.42 x 3.00	5.795 x 3.560 x .118
3EC-15-19280	STEEL 8 EXT	325703	157.02 x 100.30 x 1.40	6.182 x 3.949 x .055
3EC-15-19280	STEEL 8 EXT	325703	157.02 x 100.30 x 1.40	6.182 x 3.949 x .055
3EC-15-31280	STEEL 8 EXT	325709-200	168.30 x 100.20 x 2.00	6.620 x 3.940 x .079
3FD-15-21570	FRICTION GRAPHITE WF (Fits 4G45T27 Type M) 37 INT	330702-250	155.70 x 87.86 x 2.54	6.130 x 3.459 x .100
418-17-39710	FRICTION POWERSHIFT HEG WF 26 INT	325700A220	159.97 x 97.38 x 2.18	6.298 x 3.834 x .086
418-17-39710	FRICTION POWERSHIFT HEG WF 26 INT	325700A220	159.97 x 97.38 x 2.18	6.298 x 3.834 x .086
418-33-21340	FRICTION - BRAKE DISC WA LOADER SERIES 15 INT	320706-670	303.02 x 68.20 x 6.70	11.930 x 2.290 x .264
418-33-31261	FRICTION - BRAKE DISC WA-200	320716-650		
419-15-12133	SPRING - WAVE OE STYLE	325767C	174.80 x 168.50 x 0.80	6.870 x 6.630 x .031
419-15-12133	SPRING - WAVE OE STYLE	325767C	174.80 x 168.50 x 0.80	6.870 x 6.630 x .031
419-15-12290	FRICTION RED WF 26 INT	325700	159.97 x 97.38 x 2.18	6.298 x 3.834 x .086
419-15-12310	STEEL 68 EXT	325701	173.99 x 110.01 x 1.70	6.850 x 4.331 x .067
419-15-12310	STEEL 68 EXT	325701	173.99 x 110.01 x 1.70	6.850 x 4.331 x .067
419-33-11243	FRICTION - BRAKE DISC WA300-1 LOADER SERIES 15 INT	320708-830	320.00 x 64.40 x 8.20	12.580 x .530 x .322
419-33-21240	FRICTION - BRAKE DISC WA320-3 LOADER SERIES 15 INT	320708A830	320.00 x 64.40 x 8.20	12.580 x .530 x .322
423-33-21240	FRICTION - BRAKE DISC WA380 LOADER SERIES 18 INT	320710-800	349.50 x 77.72 x 8.00	13.760 x 3.060 x .315
425-33-11510	FRICTION - BRAKE DISC HEG PLI Model & Qty: WA400-1 (4), 500-1 (6), 600-1 (13), 600-3 (9) 112 INT	320714-510	480.59 x 330.50 x 5.13	18.921 x 13.012 x .202
425-33-11510	FRICTION - BRAKE DISC HEG PLI Model & Qty: WA400-1 (4), 500-1 (6), 600-1 (13), 600-3 (9) 112 INT	320714-510	480.59 x 330.50 x 5.13	18.921 x 13.012 x .202
444-971C1	STEEL 11 EXT	056705	291.97 x 224.16 x 2.54	11.495 x 8.825 x .100
561-33-61230	STEEL 226 EXTY	325707-240	682.75 x 509.69 x 2.41	26.808 x 20.063 x .095

ALTO HEAVY DUTY CATALOG

KOMATSU

REF #	Description	ALTO #	INCH (ODxIDxThk)	MM (ODxIDxThk)
566-33-41230	STEEL - BRAKE DISC MATING PLATE (18 TEETH CLIPPED) Model & Qty: WA400-1 (5), 500-1 (7), 600-1 (14), 600-3 (10) 146 EXT	320715-240	494.54 x 346.00 x 2.41	19.470 x 13.622 x .095
569-33-41241	FRICTION - BRAKE DISC 226 EXT	320712-518	659.13 x 491.74 x 5.18	25.950 x 19.360 x .204
569-33-41260	FRICTION - BRAKE DISC Model & Qty: WA400-1 (4), 500-1 (6), 600-1 (13), 600-3 (9) 208 EXT	325708-690	680.39 x 509.78 x 6.88	26.787 x 20.070 x .271
714-07-12670	FRICTION WA LOADER HEG WF 26 INT	325710-320	180.04 x 110.39 x 3.25	7.088 x 4.346 x .128
714-07-12680	STEEL WA LOADER 70 EXT	325711-200	198.04 x 127.99 x 2.01	7.797 x 50.390 x .079
714-08-19710	FRICTION 26 INT	325712-300	140.00 x 86.99 x 2.99	5.512 x 3.425 x .118

KUBOTA

REF #	Description	ALTO #	INCH (ODxIDxThk)	MM (ODxIDxThk)
11018222	STEEL 54 EXT	023701	139.40 x 99.30 x 1.75	5.480 x 3.900 x .069
86962386	FRICTION 555C / 555D BRONZE 36 INT	311720-244	133.40 x 90.30 x 2.44	5.252 x 3.555 x .096
86964288	FRICTION 555C / 555D BRONZE 36 INT	311720-260	133.40 x 90.30 x 2.59	5.252 x 3.555 x .102

MACK TRUCK

REF #	Description	ALTO #	INCH (ODxIDxThk)	MM (ODxIDxThk)
6830920	FRICTION HEG PLI 72 INT	352702-520	371.68 x 302.74 x 5.18	14.633 x 11.919 x .204
6830920	FRICTION HEG PLI 72 INT	352702-520	371.68 x 302.74 x 5.18	14.633 x 11.919 x .204
6830920	FRICTION HEG PLI 72 INT	352702-520	371.68 x 302.74 x 5.18	14.633 x 11.919 x .204

MASSEY-FERGUSON

REF #	Description	ALTO #	INCH (ODxIDxThk)	MM (ODxIDxThk)
1004876	FRICTION BRONZE 52 INT	023712BR260	148.50 x 107.72 x 2.62	5.850 x 4.241 x .103
1004876	FRICTION BRONZE 52 INT	023712BR260	148.50 x 107.72 x 2.62	5.850 x 4.241 x .103
1004876	FRICTION BRONZE 52 INT	023712BR260	148.50 x 107.72 x 2.62	5.850 x 4.241 x .103
1018224	FRICTION BRONZE 45 INT	049700BR	128.60 x 92.79 x 1.55	5.063 x 3.653 x .061
1018224	FRICTION BRONZE 45 INT	049700BR	128.60 x 92.79 x 1.55	5.063 x 3.653 x .061
1018224	FRICTION BRONZE 45 INT	049700BR	128.60 x 92.79 x 1.55	5.063 x 3.653 x .061
1672626M1	FRICTION PTO BRONZE 57 INT	323702	128.27 x 87.91 x 2.54	5.050 x 3.461 x .100
1672626M1	FRICTION PTO BRONZE 57 INT	323702	128.27 x 87.91 x 2.54	5.050 x 3.461 x .100
1672626M1	FRICTION PTO BRONZE 57 INT	323702	128.27 x 87.91 x 2.54	5.050 x 3.461 x .100
1672626M1	FRICTION PTO BRONZE 57 INT	323702	128.27 x 87.91 x 2.54	5.050 x 3.461 x .100
1672626M1	FRICTION PTO BRONZE 57 INT	323702	128.27 x 87.91 x 2.54	5.050 x 3.461 x .100
1672626M1	FRICTION PTO BRONZE 57 INT	323702	128.27 x 87.91 x 2.54	5.050 x 3.461 x .100
1672626M1	FRICTION PTO BRONZE 57 INT	323702	128.27 x 87.91 x 2.54	5.050 x 3.461 x .100
1672626M1	FRICTION PTO BRONZE 57 INT	323702	128.27 x 87.91 x 2.54	5.050 x 3.461 x .100
1672626M1	FRICTION PTO BRONZE 57 INT	323702	128.27 x 87.91 x 2.54	5.050 x 3.461 x .100
1672626M1	FRICTION PTO BRONZE 57 INT	323702	128.27 x 87.91 x 2.54	5.050 x 3.461 x .100
1672626M1	FRICTION PTO BRONZE 57 INT	323702	128.27 x 87.91 x 2.54	5.050 x 3.461 x .100
185464M1	STEEL PTO 6 EXT	033711	144.07 x 94.49 x 1.75	5.672 x 3.720 x .069
233166	FRICTION TAN PL 52 INT	023712-260	148.50 x 107.72 x 2.59	5.850 x 4.241 x .103
3823952M1	FRICTION BRAKE DISC HEG 27 INT	323706-480	223.75 X 55.07 X 4.83	8.809 X 2.168 X .190
513242M1	STEEL PTO 33 EXT	033711A	144.20 x 94.49 x 1.40	5.677 x 3.720 x .055
523551M1	STEEL PTO 11 EXT	033711B220	144.07 x 94.49 x 2.21	5.672 x 3.720 x .087
772813M1	STEEL PTO 11 EXT	033711B	144.07 x 94.49 x 1.42	5.672 x 3.720 x .056
878364	STEEL DISH 54 EXT	023703	138.99 x 99.01 x 1.73	5.472 x 3.898 x .068
9502757	STEEL 60 EXT	023719	154.10 x 114.05 x 1.73	6.067 x 4.490 x .068
D77576	FRICTION BRONZE 52 INT	023712BR295	148.50 x 107.72 x 2.95	5.850 x 4.241 x .116
D77576	FRICTION BRONZE 52 INT	023712BR295	148.50 x 107.72 x 2.95	5.850 x 4.241 x .116

MELROSE

REF #	Description	ALTO #	INCH (ODxIDxThk)	MM (ODxIDxThk)
1731746	STEEL 4 EXT	316703A	87.91 x 60.25 x .99	3.461 x 2.372 x .039
6502424	FRICTION (NO TEETH) TAN PLI	179706-327	190.50 x 136.91 x 3.25	7.500 x 5.390 x .128

MINN - MOLINE (WHITE TRACTOR)

REF #	Description	ALTO #	INCH (ODxIDxThk)	MM (ODxIDxThk)
10P2664	STEEL 6 INT	331701-155	152.43 x 89.43 x 1.55	6.000 x 3.521 x .061

MISCELLANEOUS

ALTO HEAVY DUTY CATALOG

MISCELLANEOUS

REF #	Description	ALTO #	INCH (ODxIDxThk)	MM (ODxIDxThk)
09-1280-00046-CG	FRICTION TAN WF 28 INT	320700	107.95 x 68.88 x 2.67	4.250 x 2.712 x .105

MITSUBISHI / TCM

REF #	Description	ALTO #	INCH (ODxIDxThk)	MM (ODxIDxThk)
208772	FRICTION BRONZE 19 INT	310716	165.07 x 74.30 x 3.99	6.499 x 2.925 x .157
208772	FRICTION BRONZE 19 INT	310716	165.07 x 74.30 x 3.99	6.499 x 2.925 x .157
3FD-15-21570	FRICTION GRAPHITE WF (Fits 4G45T27 Type M) 37 INT	330702-250	155.70 x 87.86 x 2.54	6.130 x 3.459 x .100
65425-13800	STEEL 4 EXT	079731	137.82 x 80.09 x 2.26	5.426 x 3.153 x .089
65425-13800	STEEL 4 EXT	079731	137.82 x 80.09 x 2.26	5.426 x 3.153 x .089
91224-06500	FRICTION HEG PLI 41 INT	079730A365	124.54 x 68.83 x 3.66	4.907 x 2.710 x .144
91224-06500	FRICTION HEG PLI 41 INT	079730A365	124.54 x 68.83 x 3.66	4.907 x 2.710 x .144
91224-06500	FRICTION HEG PLI 41 INT	079730A365	124.54 x 68.83 x 3.66	4.907 x 2.710 x .144
91324-02700	FRICTION HEG WF 41 INT	330700A260	124.64 x 68.83 x 2.59	4.907 x 2.710 x .102
91324-02700	FRICTION HEG WF 41 INT	330700A260	124.64 x 68.83 x 2.59	4.907 x 2.710 x .102
91324-02700	FRICTION HEG WF 41 INT	330700A260	124.64 x 68.83 x 2.59	4.907 x 2.710 x .102
91324-12600	STEEL 24 EXT	308707-160	131.70 x 80.09 x 1.60	5.185 x 3.153 x .063
91324-12600	STEEL 24 EXT	308707-160	131.70 x 80.09 x 1.60	5.188 x 3.153 x .063
91324-12600	STEEL 24 EXT	308707-160	131.70 x 80.09 x 1.60	5.185 x 3.153 x .063
91324-12600	STEEL 24 EXT	308707-160	131.70 x 80.09 x 1.60	5.185 x 3.153 x .063
91824-08200	STEEL 6 EXT	308705-230	170.38 x 99.97 x 2.09	6.708 x 3.936 x .090

MOROOKA

REF #	Description	ALTO #	INCH (ODxIDxThk)	MM (ODxIDxThk)
SP409	FRICTION HEG PL 24 INT	316702A	78.11 x 53.11 x 1.71	3.071 x 2.091 x .067
SP410	STEEL 3 EXT	316703	190.50 x 136.91 x 3.25	3.461 x 2.372 x .039

NISSAN

REF #	Description	ALTO #	INCH (ODxIDxThk)	MM (ODxIDxThk)
31536-22H00	STEEL 42 EXT	312701A180	131.55 x 77.34 x 1.78	5.179 x 3.045 x .070
31536-25H00	STEEL 42 EXT	312701-160	131.55 x 79.96 x 1.60	5.179 x 3.148 x .063
31536-LI002	STEEL 8 EXT	330701A160	131.67 x 80.16 x 1.60	5.184 x 3.156 x .063
31536-LI002	STEEL 8 EXT	330701A160	131.67 x 80.16 x 1.60	5.184 x 3.156 x .063
91324-02700	FRICTION HEG WF 41 INT	330700A260	124.64 x 68.83 x 2.59	4.907 x 2.710 x .102
91324-02700	FRICTION HEG WF 41 INT	330700A260	124.64 x 68.83 x 2.59	4.907 x 2.710 x .102
91324-02700	FRICTION HEG WF 41 INT	330700A260	124.64 x 68.83 x 2.59	4.907 x 2.710 x .102
91324-02700	FRICTION HEG WF 41 INT	330700A260	124.64 x 68.83 x 2.64	4.907 x 2.710 x .104
91324-02700	FRICTION HEG WF 41 INT	330700A260	124.64 x 68.83 x 2.64	4.907 x 2.710 x .104

PARAGON

REF #	Description	ALTO #	INCH (ODxIDxThk)	MM (ODxIDxThk)
13474AM	FRICTION HEG PLI 45 INT	049720	133.35 x 92.79 x 1.55	5.250 x 3.653 x .061

PETTIBONE

REF #	Description	ALTO #	INCH (ODxIDxThk)	MM (ODxIDxThk)
1018238	FRICTION BRONZE 59 INT	023738BR	190.61 x 147.17 x 2.92	7.504 x 5.794 x .115
1018239	STEEL 3 EXT	023739	214.83 x 155.58 x 1.75	8.458 x 6.125 x .069
11018222	STEEL 54 EXT	023701	138.99 x 99.01 x 1.73	5.472 x 3.898 x .068
13474AM	FRICTION HEG PLI 45 INT	049720	133.35 x 92.79 x 1.55	5.250 x 3.653 x .061
4913971	STEEL 54 EXT	023701-300	138.99 x 99.01 x 3.01	5.472 x 3.898 x .119
6Y-7929	FRICTION TAN PLI 45 INT	049700-216	133.35 x 92.79 x 2.16	5.250 x 3.653 x .085

PLYMOUTH (LOCOMOTIVE)

REF #	Description	ALTO #	INCH (ODxIDxThk)	MM (ODxIDxThk)
2-05193	STEEL 8 EXT	328711-320	244.30 x 173.00 x 3.12	9.618 x 6.811 x .123
2-05194	STEEL 8 EXT	328713-320	282.65 x 201.09 x 3.15	11.128 x 7.917 x .124
3-08491	FRICTION BRONZE 39 INT	328712-285	228.06 x 162.41 x 2.87	8.977 x 6.394 x .113
3-08492	FRICTION BRONZE 45 INT	328710-285	267.06 x 187.73 x 2.84	10.514 x 7.391 x .112

RENK

ALTO HEAVY DUTY CATALOG

RENK

REF #	Description	ALTO #	INCH (ODxIDxThk)	MM (ODxIDxThk)
50.67.011/2	FRICION BRONZE 53 INT	330714-400	275.77 x 212.14 x 3.99	10.857 x 8.352 x .157
50.67.011/2	FRICION BRONZE 53 INT	330714-400	275.77 x 212.14 x 3.99	10.857 x 8.352 x .157
50.67.314/2	FRICION BRONZE 53 INT	330712-400	364.67 x 265.05 x 3.99	14.357 x 10.435 x .157

ROCKFORD POWERTRAIN

REF #	Description	ALTO #	INCH (ODxIDxThk)	MM (ODxIDxThk)
11299	STEEL INPUT & REVERSE (52 PER UNIT) 8 EXT	306709-155	142.62 x 99.14 x 1.55	5.615 x 3.903 x .061
11300	FRICION BRONZE 45 INT	049700A150	133.35 x 92.79 x 1.50	5.250 x 3.653 x .059
53951	FRICION OUTPUT BRONZE (20 PER UNIT) 29 INT	307702-250	168.58 x 119.43 x 2.54	6.637 x 4.702 x .100

SKYTRAK

REF #	Description	ALTO #	INCH (ODxIDxThk)	MM (ODxIDxThk)
8033096	KIT - FRICTION & STEEL Contains: 4-328700, 4-328701	328750		
8033096	KIT - FRICTION & STEEL Contains: 4-328700, 4-328701	328750		
R30WA109	STEEL 61 EXT	328701	200.10 x 102.10 x 6.10	7.870 x 4.010 x .087
R30WA120	FRICION BRONZE 23 INT	328700	177.62 x 69.42 x 3.81	6.993 x 2.733 x .150

TEREX

REF #	Description	ALTO #	INCH (ODxIDxThk)	MM (ODxIDxThk)
464-430-8328	STEEL (Mates with 329708) 35 INT	329709-150	171.15 x 103.07 x 1.52	6.738 x 4.058 x .060
7D-3012	STEEL SPACER Model 785B 2 per Unit, 777D 14 per Unit, 777C & 769C 11 per Unit, 773D 8 per Unit 140 EXT	329701-250	740.13 x 539.88 x 2.41	29.139 x 21.255 x .095
7D-3013	FRICION BRONZE BRAKE DAMPER Model 785B,777D, 777C, 773D & 769C- 2 per Unit 140 EXT	329702-690	738.00 x 539.50 x 6.90	29.020 x 21.220 x .271
7D-3014	FRICION Model 785B & 773D 9 per Unit, 777D 15 per Unit, 777C & 769C 12 per Unit	329700-520	714.93 x 511.23 x 5.16	28.147 x 20.127 x .203
9255150	FRICION BRONZE 84 INT	329704	417.60 x 349.30 x 5.20	16.420 x 13.740 x .204
9398081	FRICION BRONZE 27 EXT	329706	137.29 x 91.24 x 2.01	5.405 x 3.592 x .079
9398112	FRICION BRONZE 35 EXT	329708	177.32 x 109.22 x 2.01	6.981 x 4.300 x .079

TOYOTA

REF #	Description	ALTO #	INCH (ODxIDxThk)	MM (ODxIDxThk)
32343-30520-71	STEEL 52 EXT	330705-230	161.50 x 100.00 x 2.30	6.358 x 3.937 x .090
32343-30520-71	FRICION 29 INT	330708-260	156.00 x 89.00 x 2.60	6.140 x 3.500 x .102
32412-22030	STEEL 12 EXT	330703-200	165.50 x 100.00 x 2.00	6.510 x 3.930 x .079
32413-31710-71	FRICION 18 INT	330713-200	165.50 x 100.00 x 2.00	6.510 x 3.930 x .079
32425-U2170-71	STEEL 8 EXT	330707-203	139.52 x 88.52 x 1.98	5.493 x 3.485 x .078
32431-12050-71	STEEL 8 EXT	330711	161.11 x 114.15 x 1.80	6.343 x 4.494 x .071
32431-23630-71	STEEL 6 EXT	330709-200	143.10 x 88.70 x 2.00	5.633 x 3.492 x .079
32432-22030-71	FRICION 37 INT	330706-260	155.70 x 87.86 x 2.59	6.130 x 3.459 x 0.102
32461-23030-71	FRICION HEG PLI 42 INT	330710	149.66 x 107.67 x 2.62	5.892 x 4.239 x .103
32461-23630-71	FRICION HEG WF 30 INT	330704-257	130.63 x 79.27 x 2.60	5.143 x 3.121 x .102
3FD-15-21570	FRICION GRAPHITE WF (Fits 4G45T27 Type M) 37 INT	330702-250	155.70 x 87.86 x 2.54	6.130 x 3.459 x .100
40616-20060-71	STEEL 8 EXT	330701	131.67 x 77.17 x 1.73	5.184 x 3.038 x .068
91324-02700	FRICION HEG WF 41 INT	330700A260	124.64 x 68.83 x 2.64	4.907 x 2.710 x .104

TWIN DISC

REF #	Description	ALTO #	INCH (ODxIDxThk)	MM (ODxIDxThk)
206106X	FRICION HEG WF MG-518 100 EXT	332712	214.93 x 151.54 x 3.18	8.462 x 5.966 x .125
215736	STEEL MG518 56 INT	332711-228	203.20 x 138.4 x 2.30	7.990 x 5.440 x .090
3L-8440	FRICION BRONZE MG-514 ALL MODELS 12 EXT	332706	236.04 x 139.67 x 3.10	9.293 x 5.400 x .122
3T-9293	FRICION BRONZE 68 EXT	332702	112.14 x 71.30 x 2.16	4.415 x 2.807 x .085
508053	STEEL 40 INT	330717-150	151.94 x 81.69 x 1.52	5.982 x 3.216 x .060

ALTO HEAVY DUTY CATALOG

TWIN DISC

REF #	Description	ALTO #	INCH (ODxIDxThk)	MM (ODxIDxThk)
508053	STEEL 40 INT	330717-150	151.94 x 81.69 x 1.52	5.982 x 3.216 x .060
5N-6137	STEEL STEPPED MG-514A, MG-514B LATE & MG-514C 40 INT	332709	203.70 x 123.11 x 4.72	7.995 x 4.847 x .186
6L-9719	STEEL 42 INT	332703	101.60 x 64.69 x 1.59	4.000 x 2.547 x .063
7L-7782	FRICTION BRONZE 76 EXT	332704	164.24 x 103.81 x 2.87	6.466 x 4.087 x .113
7L-7782	FRICTION BRONZE 76 EXT	332704	164.24 x 103.81 x 2.87	6.466 x 4.087 x .113
B1432	BEARING RETAINER TWIN DISC (12 PER PACK)	332501UP12		
B3336A	FRICTION BRONZE FOR/REV MG-502 79 EXT	332700	102.67 x 70.23 x 2.16	4.042 x 2.765 x .085
B3337	STEEL FOR/REV MG-502 52 INT	332701	94.360 x 63.68 x 1.30	3.715 x 2.507 x .051
NA	KIT - FRICTION & STEEL Contains: 9-352704A388, 2-352712BR390, 10-352701	352750A		
T-22176A	FRICTION TAN PL 52 INT	023712	148.50 x 107.72 x 1.55	5.850 x 4.241 x .061

VOLVO

REF #	Description	ALTO #	INCH (ODxIDxThk)	MM (ODxIDxThk)
0501-208-457	FRICTION HEG PLI 34 INT	329710-450	277.85 x 166.9 x 4.50	10.939 x 6.571 x .177
1018224	FRICTION BRONZE 45 INT	049700BR	128.60 x 92.79 x 1.55	5.063 x 3.653 x .061
11018222	STEEL 54 EXT	023701	138.99 x 99.01 x 1.73	5.472 x 3.898 x .068
11037030-1	FRICTION HEG 23 INT	330720A480	223.52 x 69.85 x 4.83	8.800 x 2.250 x .190
11037196-0	FRICTION BRONZE 76 EXT	330718-200	163.80 x 99.24 x 2.01	6.449 x 3.907 x .079
11299	STEEL INPUT & REVERSE (52 PER UNIT) 8 EXT	306709-155	142.62 x 99.14 x 1.55	5.615 x 3.903 x .061
11300	FRICTION BRONZE 45 INT	049700A150	133.35 x 92.79 x 1.50	5.250 x 3.653 x .059
11703987	FRICTION HEG 36 INT	330722	419.48 X 100.25 X 9.55	16.51 X 3.947 X .376
13474AM	FRICTION HEG PLI 45 INT	049720	133.35 x 92.79 x 1.55	5.250 x 3.653 x .061
232394	STEEL 14 EXT	310715	218.97 x 158.93 x 2.73	8.621 x 6.257 x .108
238260	STEEL 12 EXT	310719	257.05 x 190.83 x 2.59	10.120 x 7.513 x .102
464-430-8328	STEEL (Mates with 329708) 35 INT	329709-150	171.15 x 103.07 x 1.52	6.738 x 4.058 x .060
464-430-8329	STEEL (Mates with 329708) 35 INT	329709-200	171.15 x 103.07 x 2.01	6.738 x 4.058 x .079
4715178	FRICTION PTO BRONZE 76 EXT	330716-290	164.13 x 89.05 x 2.95	6.462 x 3.506 x .116
4720762	STEEL Shifting Clutch - all ranges 45 INT	332705-200	152.45 x 92.46 x 2.00	6.002 x 3.640 x .079
508053	STEEL 40 INT	330717-150	151.94 x 81.69 x 1.52	5.982 x 3.216 x .060
9398081	FRICTION BRONZE 27 EXT	329706	137.29 x 91.24 x 2.01	5.405 x 3.592 x .079
9398081	FRICTION BRONZE 27 EXT	329706	137.29 x 91.24 x 2.01	5.405 x 3.592 x .079
9398081	FRICTION BRONZE 27 EXT	329706	137.29 x 91.24 x 2.01	5.405 x 3.592 x .079

WABCO

REF #	Description	ALTO #	INCH (ODxIDxThk)	MM (ODxIDxThk)
DC-4208	STEEL 104 INT	326701	557.28 x 435.76 x 4.98	21.94 x 17.156 x .196

WICHITA

REF #	Description	ALTO #	INCH (ODxIDxThk)	MM (ODxIDxThk)
DC-4208	STEEL 104 INT	326701	557.28 x 435.76 x 4.98	21.94 x 17.156 x .196

YALE

REF #	Description	ALTO #	INCH (ODxIDxThk)	MM (ODxIDxThk)
10-08-666-001	FRICTION BRONZE 44 INT	308700A	196.60 x 138.20 x 2.79	7.730 x 5.430 x .110
10-08-666-001	FRICTION BRONZE 44 INT	308700A	196.60 x 138.20 x 2.79	7.730 x 5.430 x .110
22-176	STEEL 64 EXT	308701	205.59 x 145.47 x 1.65	8.094 x 5.727 x .065
22-176	STEEL 64 EXT	308701	205.59 x 145.47 x 1.65	8.094 x 5.727 x .065
22-176	STEEL 64 EXT	308701	205.59 x 145.47 x 1.65	8.094 x 5.727 x .065
4913971	STEEL 54 EXT	023701-300	138.99 x 99.01 x 3.01	5.472 x 3.898 x .119
4913985	FRICTION HEG PLI 45 INT	049720-200	133.35 x 92.79 x 2.08	5.250 x 3.653 x .082
4913985	FRICTION HEG PLI 45 INT	049720-200	133.35 x 92.79 x 2.08	5.250 x 3.653 x .082
630243	FRICTION BRONZE 37 EXT	334710	192.00 x 117.60 x 2.40	7.550 x 4.620 x .094
900-952-804	FRICTION 38 INT	334712	133.70 x 77.30 x 2.80	5.260 x 3.040 x .110
AR-108105	FRICTION PTO HEG PLI 45 INT	319722G	133.35 x 92.79 x 2.49	5.250 x 3.653 x .098

ZF

REF #	Description	ALTO #	INCH (ODxIDxThk)	MM (ODxIDxThk)
0501-215-214	ONE SIDED PLI 61 INT	329712A310	348.28 x 300.91 x 3.10	13.712 x 11.847 x .122
0501-220-255	ONE SIDED PLI 24 EXT	329713A310	374.14 x 311.91 x 3.10	14.730 x 12.280 x .122
31536-LI002	STEEL 8 EXT	330701A160	131.67 x 80.16 x 1.60	5.184 x 3.156 x .063

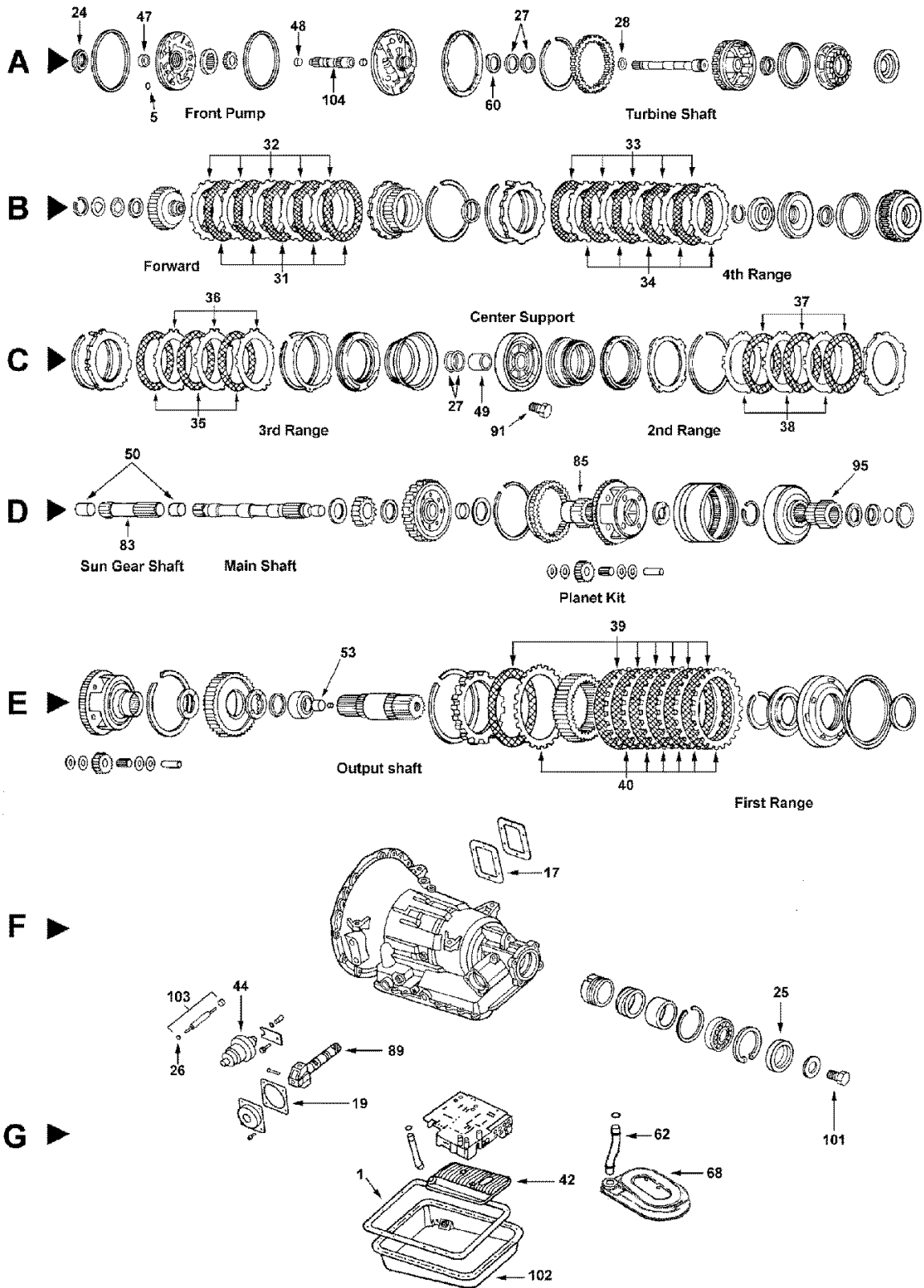
ALTO HEAVY DUTY CATALOG

ZF				
REF #	Description	ALTO #	INCH (ODxIDxThk)	MM (ODxIDxThk)
4181-292-032	ONE SIDED PLI 46 INT	329714A245	290.65 x 232.36 x 2.44	11.443 x 9.148 x .096
4181-292-033	ONE SIDED PLI 72 INT	329715A245	297.56 x 243.36 x 2.44	11.715 x 9.581 x .096
4181-295-056	ONE SIDED PLI 42 EXT	329711A245	208.28 x 158.52 x 2.44	8.200 x 6.241 x .096
4181-295-065	ONE SIDED PLI 32 INT	329717A245	198.55 x 243.36 x 2.44	7.817 x 5.821 x .096
4181-327-001	WAVED 72 EXT	329715X	297.56 x 243.36 x .79	11.715 x 9.581 x .031
4181-328-017	STEEL 72 EXT	329715-142	297.56 x 243.36 x 1.42	11.715 x 9.581 x .056
4181-355-026	STEEL 32 INT	329717-140	198.55 x 147.85 x 1.10	7.817 x 5.821 x .055
464-230-8330	STEEL - KOLENE Model 6WG-200 29 EXT	329707-150	131.19 x 85.24 x 1.50	5.165 x 3.356 x .059
464-230-8331	STEEL - KOLENE Model 6WG-200 29 EXT	329707-250	131.19 x 85.24 x 2.49	5.165 x 3.356 x .098
464-230-8332	STEEL - KOLENE Model 6WG-200 29 EXT	329707-200	131.19 x 85.24 x 2.01	5.165 x 3.356 x .079
4917871	STEEL (MATES WITH 053702) 12 EXT	053703	156.03 x 119.13 x 1.80	6.143 x 4.690 x .071
4917873	FRICTION (PAPER FACE VERSION) TAN PL 24 INT	053702	142.98 x 110.08 x 1.55	5.629 x 4.334 x .061
4917896	FRICTION (PAPER FACE VERSION) HEG SMOOTH 34 INT	053700	99.850 x 68.170 x 1.55	3.931 x 2.684 x .061
6T-6277	STEEL 24 EXT	053701	107.82 x 76.17 x 1.80	4.245 x 2.999 x .071
9398081	FRICTION BRONZE 27 EXT	329706	137.29 x 91.24 x 2.01	5.405 x 3.592 x .079
9398081	FRICTION BRONZE 27 EXT	329706	137.29 x 91.24 x 2.01	5.405 x 3.592 x .079
9398081	FRICTION BRONZE 27 EXT	329706	137.29 x 91.24 x 2.01	5.405 x 3.592 x .079
9398112	FRICTION BRONZE 35 EXT	329708	177.32 x 109.22 x 2.01	6.981 x 4.300 x .079
9398112	FRICTION BRONZE 35 EXT	329708	177.32 x 109.22 x 2.01	6.981 x 4.300 x .079
9398112	FRICTION BRONZE 35 EXT	329708	177.32 x 109.22 x 2.01	6.981 x 4.300 x .079

ALLISON

AT540, 542, 543, 545, 1545, VS

1970-On



ALLISON

AT540, 542, 543, 545, 1545, VS 1970-On

KITS								*Add Suffix SK for Super Kit
ILL	Description	Years	Friction Module	Steel Module	Overhaul Kit	Banner Kit	Master Kit	
KT	Rebuilding Kit - AT540, 542, 545	70-On	055752C	055753B	055800	055901LS	055901 *	
	* Note: for Super Kit AT540, 542 70-On order Alto# 055901SK	70-On						
	* Note: for Super Kit AT545 70-91 order Alto# 055901SK	70-91						
	* Note: for Super Kit AT545 92-On order Alto# 055901BSK	92-On						
KT	Rebuilding Kit - AT540, 542, 545 with OE Style Gasket Set	70-On	055752C	055753B	055800A	055901ALS	055901A *	
	* Note: for Super Kit (OE Style Gasket) AT540, 542 70-On order Alto# 055901ASK	70-On						
	* Note: for Super Kit (OE Style Gasket) AT545 70-91 order Alto# 055901ASK	70-91						
	* Note: for Super Kit (OE Style Gasket) AT545 92-On order Alto# 055901CSK	92-On						

MISCELLANEOUS GASKETS & KIT COMPONENTS

ILL	ALTO No.	REF No.	Description	Spec	Year	Qty	Notes
NI	055645	K11900-2	Front Pump Seal Kit - contains Pump Gasket, Pump Seal & Pump Washers		70-On	1	
1G	055816	29501160	Gasket, oil pan	Cork/Rub	70-On	1	
1G	055815A	29501160	Gasket, oil pan - Armstrong (Solid)	Fiber	70-On	1	
1G	055815	29501160	Gasket, oil pan - Armstrong	Fiber	70-On	1	
17F	055006	23016683	Gasket, PTO cover	Cork/Rub	70-On	1	
17F	055006A	23016683	Gasket, PTO cover - Armstrong	Fiber	70-On	1	
19G	055007	23018625	Gasket, Governor cover	Cork/Rub	70-On	1	
19G	055007A	23018625	Gasket, Governor cover - Armstrong	Fiber	70-On	1	
3A	031050	23016559	Lathe Cut, Front pump body		70-On	1	
4B	031051	8623101	Lip Seal, Forward & 4th cl outer		70-On	1	
5B	031054	8623102	Lip Seal, Forward & 4th cl inner		70-On	1	

FRICION CLUTCHES

ILL	ALTO No.	REF No.	Description	Spec	Year	Qty	Notes
31B	055700-200	23042197	Forward	.080/2.03	70-On	5	Crb - 42T - OD: 5.89"
40E	055702B246	23042198	1st Range	.097/2.46	70-On	7	G3BK - 60T - OD: 8.15"
37C	055724A255	23042199	2nd Range	.100/2.55	70-On	3-4	G3BK - 80T - OD: 9.100"
35C	055724A255	23042199	3rd Range	.100/2.55	70-On	3-4	G3BK - 80T - OD: 9.100"
35/3 7C	055704C250	29537887	2nd & 3rd Range - Hardened spline	.100/2.55	70-On	6-8	G3BK - 80T - OD: 9.100"
33B	055700-200	23042197	4th Range	.080/2.03	70-On	5	Crb - 42T - OD: 5.89"
NI	055710	NA	VS series	.107/2.70	70-On	AR	HEG - 59T - OD: 8.38"

STEEL CLUTCHES

ILL	ALTO No.	REF No.	Description	Spec	Year	Qty	Notes
32B	055701-230	6836518	Forward	.091/2.30	70-On	4-5	12T - ID: 4.6"
		29530330					
NI	055701W250	29505875	Forward - wave	.098/2.55	92-On	1	12T - ID: 4.6"
40E	055703	6831705	1st Range	.098/2.55	70-On	7	30T - ID: 6.5"
38C	055705	29515399	2nd Range	.098/2.55	70-On	3	9T - ID: 7.25"
36C	055705	29515399	3rd Range	.098/2.55	70-On	3	9T - ID: 7.25"
36C	055705A255	NA	3rd Range CaseSaver™ steel	.098/2.55	70-On	3	9T - ID: 7.25"
34B	055701-230	6836518	4th Range	.091/2.30	70-On	5-6	12T - ID: 4.6"
		29530330					

ALLISON

AT540, 542, 543, 545, 1545, VS 1970-On

STEEL CLUTCHES

ILL	ALTO No.	REF No.	Description	Spec	Year	Qty	Notes
NI	055711	NA	VS series	.089/2.25	ALL	AR	15T - ID: 6.15"

OEI® Original Equipment Improvements

ILL	ALTO No.	REF No.	Description	Spec	Year	Qty	Notes
KT	055758	NA	CaseSaver™ 3rd Range		70-On	1	

FILTER KITS

ILL	ALTO No.	REF No.	Description	Spec	Year	Qty	Notes
KT	FK031946	6884270	Filter Kit, thin Stainless Steel Filter with OE Style Gsk		70-On	1	
KT	FK031946A	6884270	Filter Kit, thin Stainless Steel Filter with Cork Gsk		70-On	1	
		29540976					
KT	FK056940A	23019201	Filter Kit, thick filter OE Style Gsk without tube		70-On	1	Aftermarket style
KT	FK056940B	23019201	Filter Kit, thick filter Cork Gsk without tube		70-On	1	Aftermarket style
KT	FKF153A	29502302	Filter Kit, thick filter OE Style Gsk without tube		70-On	1	OE style
KT	FKF153B	29502302	Filter Kit, thick filter Cork Gsk without tube		70-On	1	OE style

FILTERS

ILL	ALTO No.	REF No.	Description	Spec	Year	Qty	Notes
42G	031946	29502295	Filter - thin with stainless steel screen		70-On	1	
		29503617					
42G	031948A	6259423	Filter - Brass		70-On	1	
68G	056940A	29528474	Filter - thick with Grommet, without filter tube		70-On	1	Aftermarket style
68G	F153A	6883044	Filter - thick without filter tube		70-On	1	OE style
			Note: To convert AT540 to AT545 requires filter tube and thick filter				

METAL CLAD SEALS

ILL	ALTO No.	REF No.	Description	Spec	Year	Qty	Notes
24A	055400	23015975	Front Pump	Vamac®	70-On	1	
25F	055405	6778050	Extension Housing		70-On	1	
		29536379					
26G	032410C	23010610	Manual Lever		70-On	1	

SEALING RINGS

ILL	ALTO No.	REF No.	Description	Spec	Year	Qty	Notes
KT	055600	NL	Sealing Ring Kit (with Teflon)		70-On	1	
KT	055600A	NL	Sealing Ring Kit (with Vespelr)		70-On	1	
27A	055100	23046598	Sealing Ring, Front pump	Teflon	70-On	2	
27A	055100A	23046598	Sealing Ring, Front pump	Vespel®	70-On	2	
28A	055101	8616052	Sealing Ring, Input Shaft	Metal	70-On	1	
27C	055100	23046598	Sealing Ring, Center Support	Teflon	70-On	2	
27C	055100A	23046598	Sealing Ring, Center Support	Vespel®	70-On	2	

MODULATORS

ILL	ALTO No.	REF No.	Description	Spec	Year	Qty	Notes
44F	055502	3039092	Modulator - Dual Diaphragm		70-On	1	with O Ring

ALLISON

AT540, 542, 543, 545, 1545, VS 1970-On

BUSHINGS

ILL	ALTO No.	REF No.	Description	Spec	Year	Qty	Notes
KT	055625	NL	Bushing Kit AT540, AT542		70-On	1	
KT	055625	NL	Bushing Kit AT545 early		70-91	1	
KT	055625A	NL	Bushing Kit AT545 late		92-On	1	
47A	055200	23018806	Front Pump	Bronze	70-On	1	
48A	031201	6836272	Stator Shaft - Front	1.125 OD	70-On	1	
49C	055205	23012990	Center Support	1.54 OD	70-On	1	
49C	055205A	29506468	Center Support (AT545 Only)	1.60 OD	92-On	1	
50D	031201	6836272	Sun Gear Shaft Front	1.125 OD	70-On	1	
50D	055201	29522949	Sun Gear Shaft Front (AT545 only)	1.1910 OD	92-On	1	
50D	031201	6836272	Sun Gear Shaft Rear	1.125 OD	70-On	1	
50D	055201	29522949	Sun Gear Shaft Rear (AT545 only)	1.1910 OD	92-On	1	
53E	055208	8622947	Output Shaft	.775 OD	70-On	1	
53E	055208	8622947	Output Shaft (AT545 Only)	.775 OD	92-On	1	Up to Serial# 3210775437
53E	055208A	29502231	Output Shaft (AT545 Only)	.815 OD	92-On	1	Serial# 3210775438 & Up
2D	055206	23045072	Front Planetary Carrier	1.88 OD	70-On	1	

WASHERS

ILL	ALTO No.	REF No.	Description	Spec	Year	Qty	Notes
60A	055150-147	6831620	TW, Front Pump - "0"	.058	70-On	AR	
60A	055150-188	6831621	TW, Front Pump - "1"	.074	70-On	AR	
60A	055150-230	6831622	TW, Front Pump - "2"	.091	70-On	AR	
60A	055150-272	6831623	TW, Front Pump - "3"	.107	70-On	AR	
60A	055150-312	6831624	TW, Front Pump - "4"	.123	70-On	AR	
60A	055150-355	6831625	TW, Front Pump - "5"	.140	70-On	AR	
N I	055152-015	6837429	TW, Turbine Brg. shim - Gold	.015	70-On	AR	AT543
N I	055152-030	6837430	TW, Turbine Brg. shim - Chrome	.030	70-On	AR	AT543
N I	055152-042	6837431	TW, Turbine Brg. shim - Plain	.042	70-On	AR	AT543
N I	055152-060	6837432	TW, Turbine Brg. shim - Black	.060	70-On	AR	AT543
N I	055152-075	6837433	TW, Turbine Brg. shim - Copper	.075	70-On	AR	AT543
N I	031157	23013454	Washer, 4th clutch driving hub		70-On	AR	

SHAFTS

ILL	ALTO No.	REF No.	Description	Spec	Year	Qty	Notes
15D	055379	23013474	Shaft - Main		70-On	1	
15D	055379PS	29524363	Shaft - Main (heavy duty)		70-On	1	
16A	055380	29525516	Shaft - Turbine		70-On	1	

HARD PARTS

ILL	ALTO No.	REF No.	Description	Spec	Year	Qty	Notes
N I	055354A	6831679	Planetary Repair Pin		70-On	4	
N I	055354B	29501499	Planetary Repair Needle Roller		70-On	76	
N I	055354C	6831680	Planetary Repair Washer - steel		70-On	8	
N I	055354D	6839376	Planetary Repair Washer - bronze		70-On	8	
N I	TBA	29541833	Torque Converter Kit - AT545		70-On	1	
N I	TBA	29541338	Pump Body and Gear - AT545		70-On	1	
N I	TBA	29503064	Governor Drive Gear - AT545		70-On	1	
KT	TBA	6883938	Governor gear kit		70-On	1	
89G	TBA	6881466	Governor assembly - ID no 460		70-On	1	
89G	055351	6885570	Governor assembly - ID no 461		70-On	1	

ALLISON

AT540, 542, 543, 545, 1545, VS

1970-On

HARD PARTS

ILL	ALTO No.	REF No.	Description	Spec	Year	Qty	Notes
89G	055352	6885571	Governor assembly - ID no 462		70-On	1	
85D	TBA	6835936	Sun Gear - Center		70-On	1	
95D	TBA	6884902	Sun Gear - Rear		70-On	1	
83D	TBA	6835937	Sun Gear Shaft		70-On	1	
102 G	TBA	23045906	Deep oil pan - ribbed with heater hole		70-On	1	
102 G	TBA	29501358	Deep oil pan - dual fill tube locations		70-On	1	

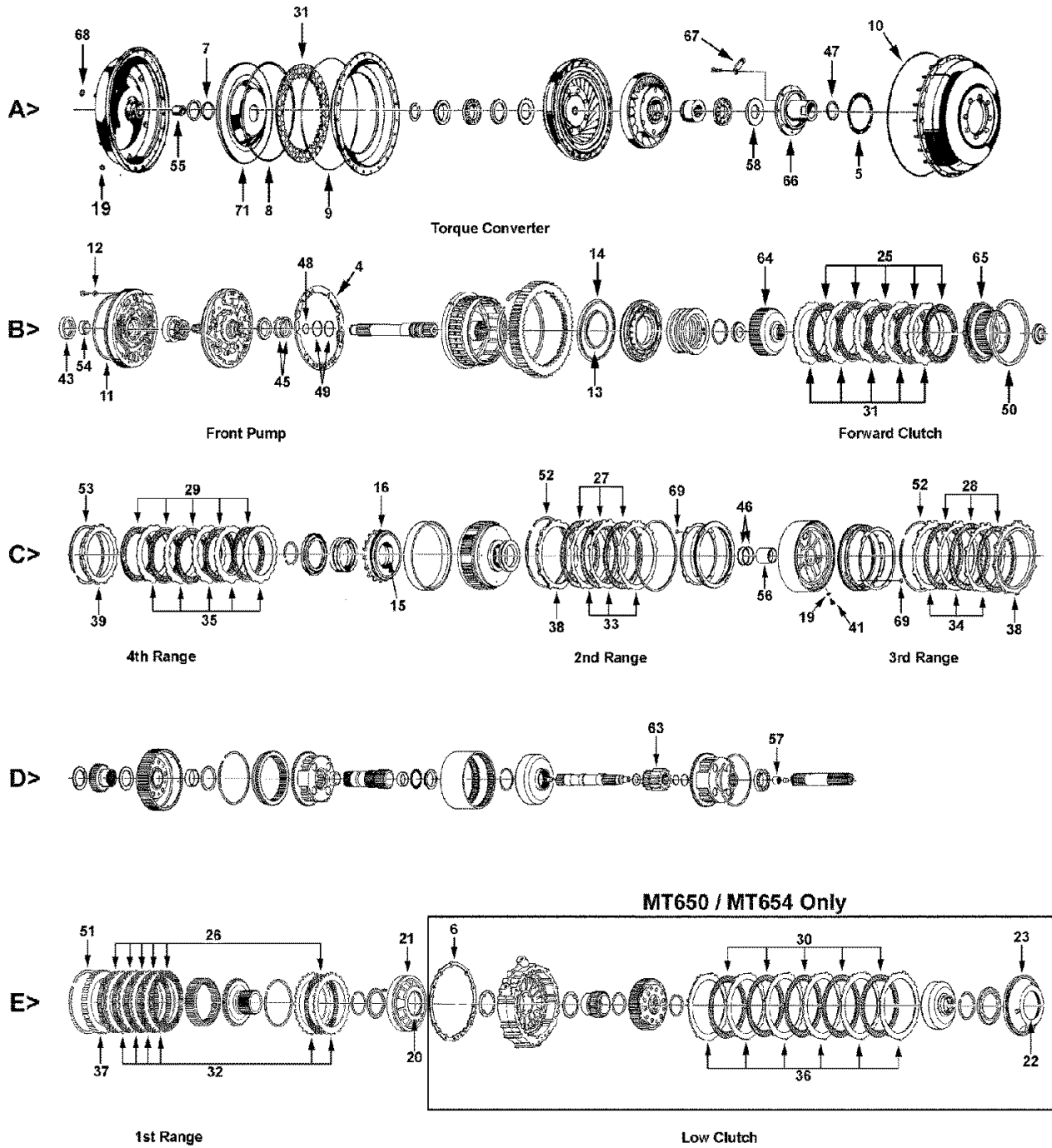
MISCELLANEOUS

ILL	ALTO No.	REF No.	Description	Spec	Year	Qty	Notes
62G	056565	6883046	Oil Filter tube		70-On	1	
N I	055557	23010915	Torque Converter bolt - Metric	M8	70-On	AR	
N I	055558	6885391	Torque Converter bolt - English	3/8" - 16	70-On	AR	
5A	055003	29512113	Washer, Front pump bolts		70-On	17	
N I	055552	3909063	Washer (Lock), Center support retainer		70-On	8	
91C	055554	6836587	Bolt, Center support to case		70-On	1	
101F	056557	29510838	Bolt, Output shaft		70-On	1	
KT	TBA	NA	Manual Control lever repair kit		70-On	1	
N I	TBA	9436642	Plug for heater hole in pan		70-On	1	

ALLISON

MT640, 643, 644 - 4 Speed

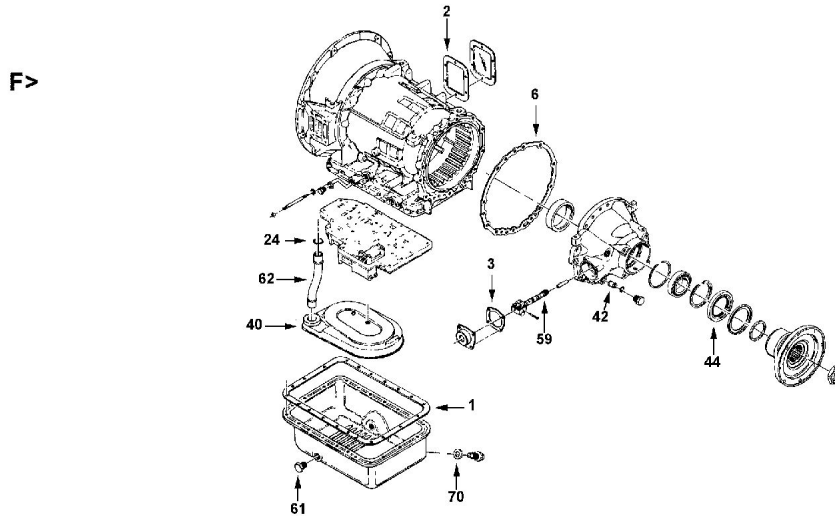
MT650, 653, 654 - 5 Speed



ALLISON

MT640, 643, 644 - 4 Speed

MT650, 653, 654 - 5 Speed



KITS		*Add Suffix SK for Super Kit					
ILL	Description	Years	Friction Module	Steel Module	Overhaul Kit	Banner Kit	Master Kit
KT	Rebuilding Kit - MT640, 643, 650, 653 (contains 1 front pump seal #056401)	72-On	056752D	056753	056800	056901LS	056901
KT	Rebuilding Kit - MT640, 643, 650, 653 (contains 2 front pump seals #056400A & 056401)	72-On	056752D	056753	056800B	056901BLS	056901B
KT	Rebuilding Kit - MT640, 643, 650, 653 with OE Style Gasket Set (contains 2 front pump seals #056400A & 056401)	72-On	056752D	056753	056800A	056901ALS	056901A
KT	Rebuilding Kit - MT644, 654 (Phase 1)	72-On	056752E	056753A	056802	056903LS	056903
KT	Rebuilding Kit - MT654 (Phase 2)	72-On	056752F	056753B	056802	056903ALS	056903A

MISCELLANEOUS GASKETS & KIT COMPONENTS							
ILL	ALTO No.	REF No.	Description	Spec	Year	Qty	Notes
1F	055816	29501160	Gasket, Oil pan	Cork/Rub	72-On	1	
1F	055815A	29501160	Gasket, Oil pan - Armstrong (Solid)	Fiber	72-On	1	
1F	055815	29501160	Gasket, Oil pan - Armstrong	Fiber	72-On	1	
2F	055006	29501161	Gasket, PTO cover	Cork/Rub	72-On	1	
2F	055006A	29501161	Gasket, PTO cover - Armstrong	Fiber	72-On	1	
3F	055007	23018625	Gasket, Governor cover	Cork/Rub	72-On	1	
3F	055007A	23018625	Gasket, Governor cover - Armstrong	Fiber	72-On	1	
4B	056001	23046344	Gasket, Front Pump		72-On	1	
N I	056008	6884872	Gasket, Lube valve adapter		72-On	1	
5A	055008	6759971	Gasket, TC Hub - except MT644/654		72-On	1	
5A	056005	6771366	Gasket, TC Hub - MT644/654		72-On	1	
6EF	056007	23045099	Gasket, Adapter to case		72-On	2	
7A	010136B	6770820	O Ring, Lockup clutch - inner	Poly	72-On	1	
N I	056835	NA	Kit, Torque Converter Seal MT643		72-On	1	contains 5 seals
8A	056061	6758036	Lathe Cut, Lockup clutch - outer		72-On	1	
9A	055055	23016564	Lathe Cut, Lockup clutch backing plate		72-On	1	
10A	055055	23016564	Lathe Cut, TC pump cover - except MT644/654		72-On	1	
11B	056050	23016347	Lathe Cut, Front pump to case		72-On	1	
12B	056006	6834908	Washer, Front pump bolt		72-On	12	
KT	001015	NA	Kit, Lipseal		72-On	1	contains 12 Lipseals

ALLISON

MT640, 643, 644 - 4 Speed

MT650, 653, 654 - 5 Speed

MISCELLANEOUS GASKETS & KIT COMPONENTS

ILL	ALTO No.	REF No.	Description	Spec	Year	Qty	Notes
13B	031052	23015880	Lipseal, Forward clutch - inner		72-On	1	
14B	056058	6833981	Lipseal, Forward clutch - outer		72-On	1	
15C	031052	23015880	Lipseal, 4th Clutch - inner		72-On	1	
16C	056058	6833981	Lipseal, 4th Clutch - outer		72-On	1	
17C	056055	23011471	Lipseal, 2nd & 3rd Clutch - inner		72-On	1	
18C	056056	6883035	Lipseal, 2nd & 3rd Clutch - outer		72-On	1	
20E	056053	6883031	Lipseal, 1st Clutch - inner		72-On	1	
21E	056054	6883033	Lipseal, 1st Clutch - outer		72-On	1	
22E	056053	6883031	Lipseal, Low Clutch - inner		72-On	1	
23E	056056	6883035	Lipseal, Low Clutch - outer		72-On	1	
24F	010216B	6762127	O Ring, Filter tube		72-On	1	
N I	010115B	8658110	O Ring, Modulator		72-On	1	
N I	010116B	6882689	O Ring, Governor feed filter		72-On	1	
68A	056552A	23014462	Nut, Flexplate bolt		72-On	6	
19A	056566	190139	Nut, Torque Converter		72-On	24	

FRICION CLUTCHES

ILL	ALTO No.	REF No.	Description	Spec	Year	Qty	Notes
25B	056700C255	23042200	Forward Clutch	.100	72-On	5-6	G3BK - 30T - OD:7.182" - PLI
26E	055704C250	29537887	1st Range - Hardened spline	.100	72-On	6	G3BK - 80T - OD:9.119" - PLI
26E	055724A255	23042199	1st Range	.100	72-On	6	G3BK - 80T - OD:9.119" - PLI
27C	056702C325	6835720	2nd Range	.128	72-On	3-4	G3BK - 50T - OD:10.841" - PLI
		23042201					
28C	056702C325	6835720	3rd Range	.128	72-On	3	G3BK - 50T - OD:10.841" - PLI
		23042201					
29C	056700C255	23042200	4th Range	.100	72-On	4-5	G3BK - 30T - OD:7.182" - PLI
30E	056702C325	6835720	Low Range except phase 2	.128	72-On	5-6	G3BK - 50T - OD:10.841" - PLI
		23042201					
30E	056722B315	23042210	Low Range phase 2 only	.125	72-On	7	G3BK - 71T - OD:10.481" - PLI
31A	056712	23048511	Lockup Clutch (TC) - MT644/654	.205	72-On	1	G3BK - 73T - OD:14.600" - PLI
31A	056712A	23046108	Lockup Clutch (TC) - except MT644/654	.186	72-On	1	G3BK - 56T - OD:12.389" - PLI

STEEL CLUTCHES

ILL	ALTO No.	REF No.	Description	Spec	Year	Qty	Notes
31B	056701	23016610	Forward	.100	72-On	4-6	18T - ID: 5.530"
32E	056703	23016606	1st Range	.100	72-On	6	36T - ID: 7.333"
33C	056705	23016608	2nd Range	.100	72-On	3-4	11T - ID: 8.825"
34C	056705	23016608	3rd Range	.100	72-On	3	11T - ID: 8.825"
35C	056701	23016610	4th Range	.100	72-On	5-6	18T - ID: 5.530"
36E	056705	23016608	Low Range except Phase 2	.100	72-On	6-7	11T - ID: 8.825"
36E	056705A	23045054	Low Range Phase 2 only	.100	72-On	8	11T - ID: 9.198"

PRESSURE PLATES

ILL	ALTO No.	REF No.	Description	Spec	Year	Qty	Notes
37E	TBA	23046721	1st Range backing (#5)	.676	72-On	1	
38C	TBA	23046745	2nd & 3rd Range backing - selective (#7)	.482	72-On	1	
38C	TBA	23046746	2nd & 3rd Range backing - selective (#8)	.455	72-On	1	
38C	TBA	23046718	2nd & 3rd Range backing - selective (#9)	.468	72-On	1	

ALLISON

MT640, 643, 644 - 4 Speed

MT650, 653, 654 - 5 Speed

PRESSURE PLATES

ILL	ALTO No.	REF No.	Description	Spec	Year	Qty	Notes
39C	056763A	29516333	4th Range backing		72-On	1	

FILTER KITS

ILL	ALTO No.	REF No.	Description	Spec	Year	Qty	Notes
KT	FK056940A	NA	Filter Kit - thick filter OE Style Gsk without tube		72-On	1	
KT	FK056940B	NA	Filter Kit - thick filter Cork Gsk without tube		72-On	1	
KT	FKF153A	NA	Filter Kit - thick filter OE Style Gsk without tube - SPX		72-On	1	
KT	FKF153B	29502302	Filter Kit, thick filter Cork Gsk without tube		72-On	1	OE style
KT	FK056940C	NA	Filter Kit - thick filter for Shallow Pan with tube - OE Style Gsk		72-On	1	
KT	FK056940E	29538491	Filter Kit - thick filter for Deep Pan with tube - OE Style Gsk		72-On	1	

FILTERS

ILL	ALTO No.	REF No.	Description	Spec	Year	Qty	Notes
40F	056940A	29538474	Filter without tube - AFTMKT		72-On	1	
40F	F153A	6883044	Filter without tube - SPX		72-On	1	
N I	056942	NA	Filter - Deep pan with pipe		72-On	1	
N I	056942X	NL	Filter - Shallow pan with pipe		72-On	1	
41C	056560	23010654	Screen - Center Support		72-On	1	
42F	055553	8624471	Screen - Governor oil (early)		72-On	1	Thimble type
42F	056559	6882687	Screen - Governor oil (late)		72-On	1	Barrel type

METAL CLAD SEALS

ILL	ALTO No.	REF No.	Description	Spec	Year	Qty	Notes
43B	056400A	23016643	Front Pump	3.885	72-On	1	
43B	056401	23045556	Front Pump	3.378	72-On	1	
43B	056402	6837228	Front Pump	3.362	72-On	1	
44F	055405	6778050	Extension Housing	3.632	72-On	1	MT640/643/644
44F	056405	6773311	Extension Housing	4.758	72-On	1	MT650/653/654

SEALING RINGS

ILL	ALTO No.	REF No.	Description	Spec	Year	Qty	Notes
KT	056600	NA	Sealing Ring Kit - 4T/4M		72-On	1	AFTMKT
KT	056600A	NA	Sealing Ring Kit - 4V/4M		72-On	1	OE (Vespel®)
KT	056100A	23014632	Sealing Ring Kit - Front Pump/Center Support 4V		72-On	1	OE (Vespel)
45B	056100	NA	Front Pump stator	Teflon	72-On	2	
46C	TBA	23015617	Front Pump Stator	Vespel®	72-On	2	Not available separate
46C	056100	NA	Center Support	Teflon	72-On	2	
46C	TBA	23015617	Center Support	Vespel®	72-On	2	Not available separate
47A	056101	6830187	Torque Converter Hub	Metal	72-On	1	
48B	056102	6839163	Input Shaft	Metal	72-On	1	
49B	056103	6833999	Input Shaft to Forward drum	Metal	72-On	2	

BUSHINGS

ILL	ALTO No.	REF No.	Description	Spec	Year	Qty	Notes
KT	056625	NA	Bushing Kit		72-On	1	with early front pump
KT	056625A	NA	Bushing Kit - MT640, 650, 653		72-On	1	with OEM front pump
KT	056625B	NA	Bushing Kit - MT644, 654		72-On	1	with OEM front pump

ALLISON

MT640, 643, 644 - 4 Speed

MT650, 653, 654 - 5 Speed

BUSHINGS

ILL	ALTO No.	REF No.	Description	Spec	Year	Qty	Notes
KT	056630	NA	Bushing Kit - MT640 Series		72-On	1	without front pump
54B	056200	23046153	Front Pump body - MT640, 650, 653		72-On	1	
		29527101					
54B	056200A	23046152	Front Pump body - MT644, 654		72-On	1	
56C	056201	23011924	Center Support		72-On	1	
N I	056202	29516211	Sun Gear		72-On	2	
55A	056203	6756782	Torque Converter cover		72-On	1	
N I	056204	6835385	Front Planetary Cover		72-On	1	
57D	056205	23016859	Output Shaft		72-On	1	
N I	056207	6835398	Low Planetary		72-On	1	

WASHERS

ILL	ALTO No.	REF No.	Description	Spec	Year	Qty	Notes
N I	056635	NA	Washer Kit (4)		72-On	1	
N I	056151	6839364	Washer - Front Planetary Sun Gear		72-On	AR	Bronze
N I	056152	6835386	Washer		72-On	AR	Bronze
N I	056153	6834389	Washer		72-On	AR	Bronze 2.191" ID
N I	056154	9432512	Washer race roller bearing		72-On	AR	Bronze
58A	055152-015	6837429	Spacer, TC turbine	.015	72-On	AR	Gold
58A	055152-030	6837430	Spacer, TC turbine	.030	72-On	AR	Silver
58A	055152-042	6837431	Spacer, TC turbine	.042	72-On	AR	Plain
58A	055152-060	6837432	Spacer, TC turbine	.060	72-On	AR	Black
58A	055152-075	6837433	Spacer, TC turbine	.075	72-On	AR	Copper

SHAFTS

ILL	ALTO No.	REF No.	Description	Spec	Year	Qty	Notes
N I	056379	23013456	Shaft - Main 640, 643, 650, 653		72-On	1	
N I	056379A	23017699	Shaft - Main 644, 647, 654		72-On	1	
N I	056380	23012785	Shaft Turbine Alli MT643		72-On	1	

HARD PARTS

ILL	ALTO No.	REF No.	Description	Spec	Year	Qty	Notes
59F	055351	6885570	Governor Assembly - ID # 461		72-On	1	
59F	055352	6885571	Governor Assembly - ID # 462		72-On	1	
59F	056302	6885572	Governor Assembly - ID # 463		72-On	1	
59F	056303	6881471	Governor Assembly - ID # 465		72-On	1	
59F	056304	6882737	Governor Assembly - ID # 738		72-On	1	Brass
59F	056305	6882736	Governor Assembly - ID # 739		72-On	1	Brass
N I	055354A	6831679	Planetary Repair Pin		72-On	4	
N I	055354B	29501499	Planetary Repair Needle Roller		72-On	76	
N I	055354C	6831680	Planetary Repair Washer - steel		72-On	8	
N I	055354D	6839376	Planetary Repair Washer - bronze		72-On	8	
60F	056350	23045906	Deep oil pan - ribbed with heater hole		72-On	1	
60F	056350A	29501358	Deep oil pan - dual fill tube locations		72-On	1	
63D	056352	6883901	Sun Gear - rear planetary (except MT653)		72-On	1	
N I	TBA	29516215	Sun Gear - shaft assembly		72-On	1	
64B	056353	6834222	Forward clutch drive hub		72-On	1	
65B	056354	6834221	4th Range clutch drive hub		72-On	1	
65B	056354A	23017267	4th Range clutch drive hub		72-On	1	use with 18T piston

ALLISON

MT640, 643, 644 - 4 Speed

MT650, 653, 654 - 5 Speed

HARD PARTS

ILL	ALTO No.	REF No.	Description	Spec	Year	Qty	Notes
N I	056358	23014527	Ground sleeve with bearing - use with 056356		72-On	1	
N I	056359	29507674	Ground sleeve with bearing - MT644/654		72-On	1	(23014306)

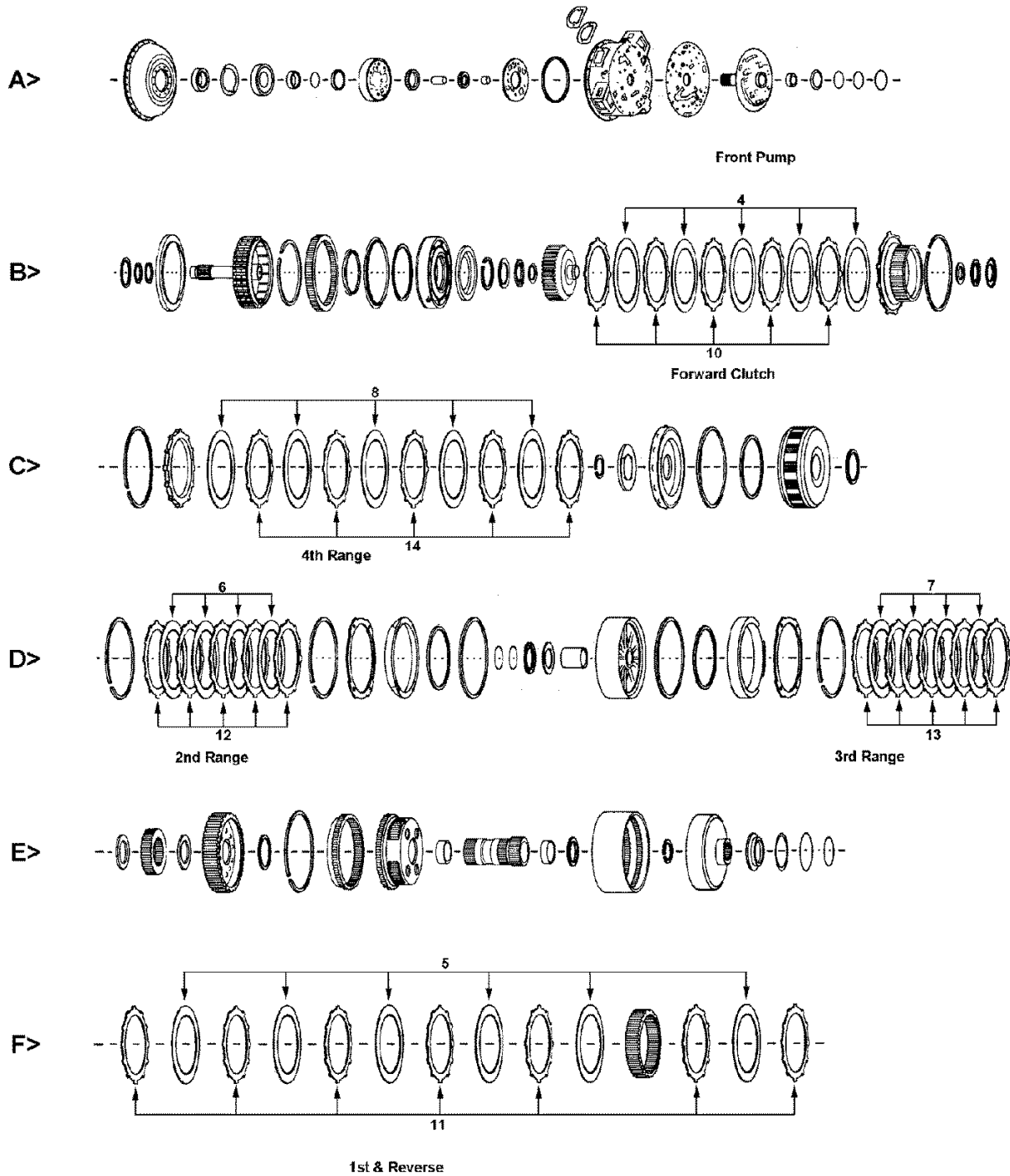
MISCELLANEOUS

ILL	ALTO No.	REF No.	Description	Spec	Year	Qty	Notes
62F	056564	6883045	Oil Filter tube (updates prior to S/N 58071)		72-On	1	
61F	056306	29501131	Plug for heater hole in pan		72-On	1	
66A	056356	23016722	Converter Hub, (bolt on) MT643/653		72-On	1	
66A	056357	23017446	Converter Hub, MT654		72-On	1	
N I	056672	23013906	Converter Hub, MT654		72-On	1	
67A	055555	6769631	Lock strip, TC hub bolt		72-On	4	
69C	055552	3909063	Retainer, center support bolts		72-On	8	Black
N I	056553	23013398	Bolt, Center support to case	2.5	72-On	1	
N I	056555	23045343	Bolt, Center support to case	3.0"	72-On	1	
N I	056557	29510838	Bolt, Output shaft		72-On	1	
N I	056558	29500739	Washer, Output shaft bolt		72-On	1	
70F	056009	29507909	Washer, Drain plug		72-On	1	
N I	056307	29513517	Accordian Spring, TC stator freewheel unit	.896"	72-On	1	MT640, MT643
N I	056308	6774966	Accordian Spring, TC stator freewheel unit		72-On	1	MT640,643,650.653
KT	056466	23017610	Manual Control Lever repair kit		72-On	1	Shaft & Nut
N I	001033	23018535Kit	Spring, Stator Freewheel Unit - 10 Pc. Kit		72-On	1	

ALLISON

HT740, 747, 750, 754, V730

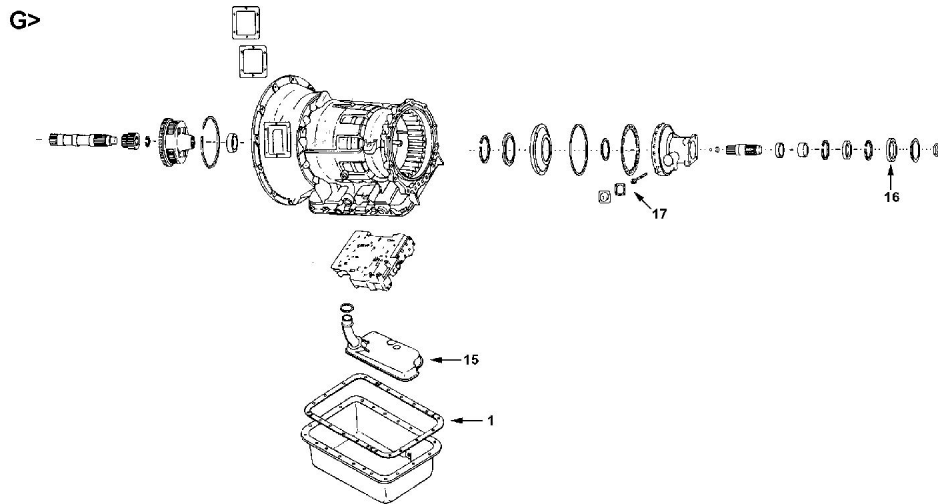
1972-On



ALLISON

HT740, 747, 750, 754, V730

1972-On



KITS		*Add Suffix SK for Super Kit					
ILL	Description	Years	Friction Module	Steel Module	Overhaul Kit	Banner Kit	Master Kit
KT	Rebuilding Kit - with Forward & 4th Range Hardened Spline Frictions, Excludes 750DR	72-On	056752G	056753C	056804B	056905LS	056905
KT	Rebuilding Kit HT754 - with Forward & 4th Range Hardened Spline Frictions	72-On	056752G	056753C	056804E	056907LS	056907
KT	Rebuilding Kit HT740-770 - with Extra Low Clutch	72-On	056752GX	NA	NA	NA	NA

MISCELLANEOUS GASKETS & KIT COMPONENTS							
ILL	ALTO No.	REF No.	Description	Spec	Year	Qty	Notes
1G	056816	23010652	Gasket, Oil Pan		72-On	1	
1G	056815	23010652	Gasket, Oil Pan- Armstrong	Fiber	72-On	1	
1G	056815A	23010652	Gasket, Oil Pan- Armstrong (Solid)	Fiber	72-On	1	
2G	055006	29501161	Gasket, PTO cover	Cork/Rub	72-On	1	
2G	055006A	29501161	Gasket, PTO cover - Armstrong	Fiber	72-On	1	
3G	055007	23018625	Gasket, Governor cover	Cork/Rub	72-On	1	
3G	055007A	23018625	Gasket, Governor cover	Fiber	72-On	1	

FRICTION CLUTCHES							
ILL	ALTO No.	REF No.	Description	Spec	Year	Qty	Notes
4B	055724A255	23042199	Forward	.100	72-On	6	G3BK - 80T -OD: 9.119" - PLI
4B	055704C250	29537887	Forward with hardened spline	.100	72-On	5	G3BK - 80T -OD: 9.119" - PLI
5F	056710B380	23010439	1st Range	.148	72-On	6	G3BK - 62T -OD:12.557" - PLI
		23041786					
6D	056710B380	23010439	2nd Range	.148	72-On	6	G3BK - 62T -OD:12.557" - PLI
		23041786					
7D	056710B380	23010439	3rd Range	.148	72-On	4	G3BK - 62T -OD:12.557" - PLI
		23041786					
8C	055704C250	29537887	4th Range with hardened spline	.100	72-On	5	G3BK - 80T -OD: 9.119" - PLI

STEEL CLUTCHES							
ILL	ALTO No.	REF No.	Description	Spec	Year	Qty	Notes
10B	056713	6834679	Forward	.103	72-On	5	14T - ID: 7.206"
11F	056711	23047771	1st Range	.103	72-On	7	38T - ID: 10.825"
11F	056711A	23047772	1st Range - selective	.120	72-On	AR	38T - ID: 10.825"
12D	056715	6834488	2nd Range	.103	72-On	AR	16T - ID: 10.746"

ALLISON

HT740, 747, 750, 754, V730

1972-On

STEEL CLUTCHES

ILL	ALTO No.	REF No.	Description	Spec	Year	Qty	Notes
12D	056715A	6834720	2nd Range	.120	72-On	AR	16T - ID: 10.746"
13D	056715	6834488	3rd Range	.103	72-On	AR	16T - ID: 10.746"
13D	056715A	6834720	3rd Range	.120	72-On	AR	16T - ID: 10.746"
14C	056713	6834679	4th Range	.103	72-On	5	14T - ID: 7.206"

PRESSURE PLATES

ILL	ALTO No.	REF No.	Description	Spec	Year	Qty	Notes
N I	056762	23011235	4th Range Backing Plate		72-On	AR	

FILTERS

ILL	ALTO No.	REF No.	Description	Spec	Year	Qty	Notes
N I	056942A	29532584	Filter - lo aluminum pan w/8" Tube		72-On	1	
15G	056944	6839636	Filter - w/6" Tube		72-On	1	
15G	056944A	23013625	Filter - w/7" Tube		72-On	1	

METAL CLAD SEALS

ILL	ALTO No.	REF No.	Description	Spec	Year	Qty	Notes
N I	056403	23016947	Front Pump		72-On	1	
G16	056405	6773311	Rear Cover		72-On	1	
N I	032410C	23010610	Manual Lever		72-On	1	

HARD PARTS

ILL	ALTO No.	REF No.	Description	Spec	Year	Qty	Notes
17G	055351	6885570	Governor Assembly - ID # 461		72-On	1	
17G	055352	6885571	Governor Assembly - ID # 462		72-On	1	
17G	056302	6885572	Governor Assembly - ID # 463		72-On	1	

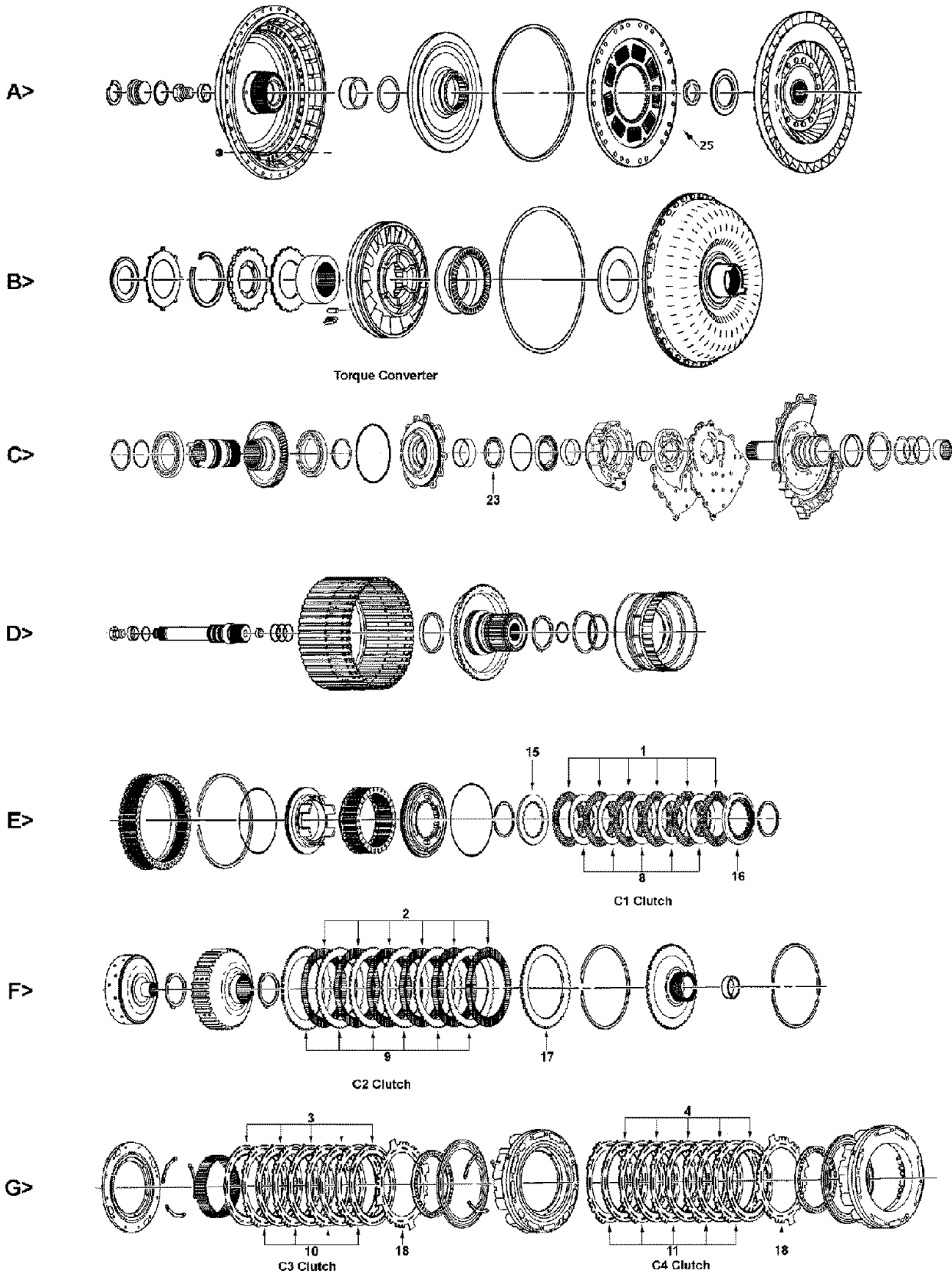
MISCELLANEOUS

ILL	ALTO No.	REF No.	Description	Spec	Year	Qty	Notes
N I	001033	23018535Kit	Spring, Stator Freewheel Unit - 10 Pc. Kit		72-On	1	
N I	001034	6837976Kit	Roller, Stator Freewheel Unit - 10 Pc. Kit		72-On	1	

ALLISON WORLD

MD3060, 3066, 3070, 3560

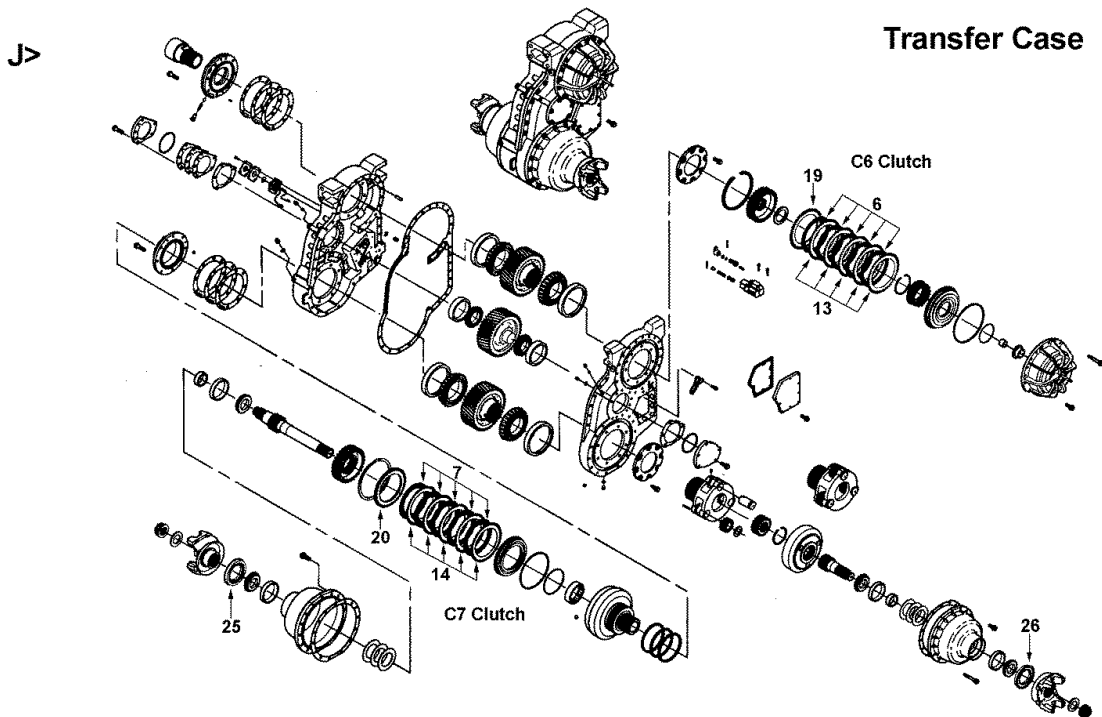
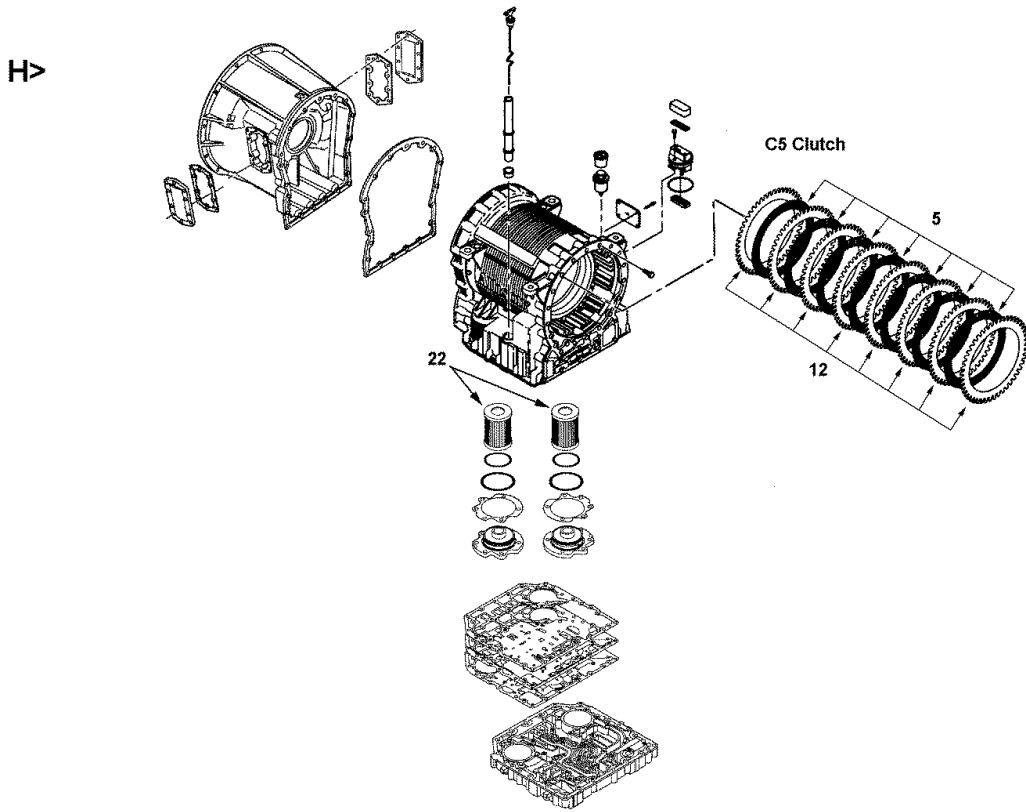
B300, 400, 3000MH, 3000RDS 1995-On



ALLISON WORLD

MD3060, 3066, 3070, 3560

B300, 400, 3000MH, 3000RDS 1995-On



ALLISON WORLD

MD3060, 3066, 3070, 3560

B300, 400, 3000MH, 3000RDS 1995-On

KITS *Add Suffix SK for Super Kit

ILL	Description	Years	Friction Module	Steel Module	Overhaul Kit	Banner Kit	Master Kit
KT	Rebuilding Kit - 3rd Generation: Transmission only with OE style gasket set & control module	95-On	148752	148753	148800X	148901XLS	148901X
KT	Rebuilding Kit - 3rd Generation: Transmission only with OE style gasket set & control module w/ Wider ID C2	95-On	148752A	148753	148800X	148901AXLS	148901AX
KT	Kit - 3rd Generation Control Module	95-On			148801V		
KT	Kit - 4th Generation Control Module	06-On	148752A	148753A	148802X	148903XLS	148903X

FRICION CLUTCHES

ILL	ALTO No.	REF No.	Description	Spec	Year	Qty	Notes
1E	148700A250	29536334 23045588	C1 Clutch - 2 teeth removed	.098	95-On	6	G3BK - 44T - OD: 7.072" - PLI
2F	148702-250	29516170	C2 Clutch	.098	95-On	6	G3BK - 84T - OD: 9.950" - PLI
2F	148712-250	29536335	C2 Clutch - 2 teeth removed	.098	00-On	6	G3BK - 82T - OD: 10.5350" - PLNI
3G	148704A250		C3 Clutch - 2 teeth removed	.098	95-On	5	G3BK - 75T - OD: 9.550" - SM
3G	148704-250	29516171 29536336	C3 Clutch - 1 tooth removed	.098	95-On	5	G3BK - 76T - OD: 9.550" - SM
4G	148704A250		C4 Clutch - 2 teeth removed	.098	95-On	5	G3BK - 75T - OD: 9.550" - SM
4G	148704-250	29516171 29536336	C4 Clutch - 1 tooth removed	.098	95-On	5	G3BK - 76T - OD: 9.550" - SM
5H	148706-320	29516172 29536337	C5 Clutch	.127	95-On	7	G3BK - 81T - OD: 10.00" - PLI
6J	148710-400	23048735	C6 Clutch (Transfer Case)	.157	95-On	5	G3BK - 34T - OD: 8.589" - PLI
7J	055702B246	23042198 29530092	C7 Clutch (Transfer Case)	.098	95-On	5	G3BK - 60T - OD: 8.150" - PLI

STEEL CLUTCHES

ILL	ALTO No.	REF No.	Description	Spec	Year	Qty	Notes
8E	148701-245	23045589	C1 Clutch	.095	95-On	5	44T - ID: 4.231"
9F	148703-245	29503141	C2 Clutch	.095	95-On	6	48T - ID: 8.540"
10G	148705-250	29501423	C3 Clutch - Gen 4	.098	95-On	5	24T - ID: 7.700"
10G	148705A333	NA	C3 Clutch	.130"	95-On	5	24T - ID: 7.700"
11G	148705-250	29501423	C4 Clutch	.098	95-On	5	24T - ID: 7.700"
11G	148705A333	NA	C4 Clutch - Gen 4	.130"	95-On	6	24T - ID: 7.700"
12H	148707-248	23045573	C5 Clutch	.097	95-On	8	48T - ID: 8.165"
13J	148711-250	29506073	C6 Clutch (Transfer Case)	.098	95-On	5	40T - ID: 7.090"
14J	148709-220	29502156	C7 Clutch (Transfer Case)	.086	95-On	5	67T - ID: 6.580"

PRESSURE PLATES

ILL	ALTO No.	REF No.	Description	Spec	Year	Qty	Notes
15E	TBA	29534575	C1 Clutch - backing (MD models)	.315	98-On	1	stepped (retros)
N I	TBA	29539665	C1 Clutch - backing (MD models)	.545	98-On	1	22T - OD: 6.500"
15E	TBA	29534572	C1 Clutch - backing (HD models)	.315	98-On	1	stepped (retros)
16E	TBA	29534574	C1 Clutch - apply (MD models)	.178	98-On	1	22T - OD: 6.497" flat (retros)
16E	TBA	29534573	C1 Clutch - apply (HD models)	.157	98-On	1	flat (retros)
17F	TBA	23049224	C2 Clutch - apply (without PTO)		95-On	1	
17F	148761-630	23048530	C2 Clutch - apply (with PTO)	.249	95-On	1	
18G	148762-345	29501424	C3/C4 Clutch - apply	.136	95-On	2	
19J	TBA	29506074	C6 Clutch - backing		95-On	1	
20J	TBA	29508167	C7 Clutch - backing		95-On	1	

ALLISON WORLD

MD3060, 3066, 3070, 3560

B300, 400, 3000MH, 3000RDS 1995-On

FILTERS KITS

ILL	ALTO No.	REF No.	Description	Spec	Year	Notes
KT	FK148942A	29540494	Filter - 6"		95-On	

METAL CLAD SEALS

ILL	ALTO No.	REF No.	Description	Spec	Year	Qty	Notes
23C	148400	29507528	Front Pump		95-On	1	
24H	148405	29515690	Extension Housing - 4.738"		95-On	1	
N I	148406	29545518	Extension Housing - 3.750"		95-On	1	
25J	148425	29503336	Front Output (Transfer Case)		95-On	1	
26J	148425	29503336	Rear Output (Transfer Case)		95-On	1	

BUSHINGS

ILL	ALTO No.	REF No.	Description	Spec	Year	Qty	Notes
N I	148200	29533975	Oil Pump Housing - B300		95-On	1	

ELECTRONIC CONTROL COMPONENTS

ILL	ALTO No.	REF No.	Description	Spec	Year	Qty	Notes
N I	148501	29545638	Solenoid, Forward Assembly		95-On	1	

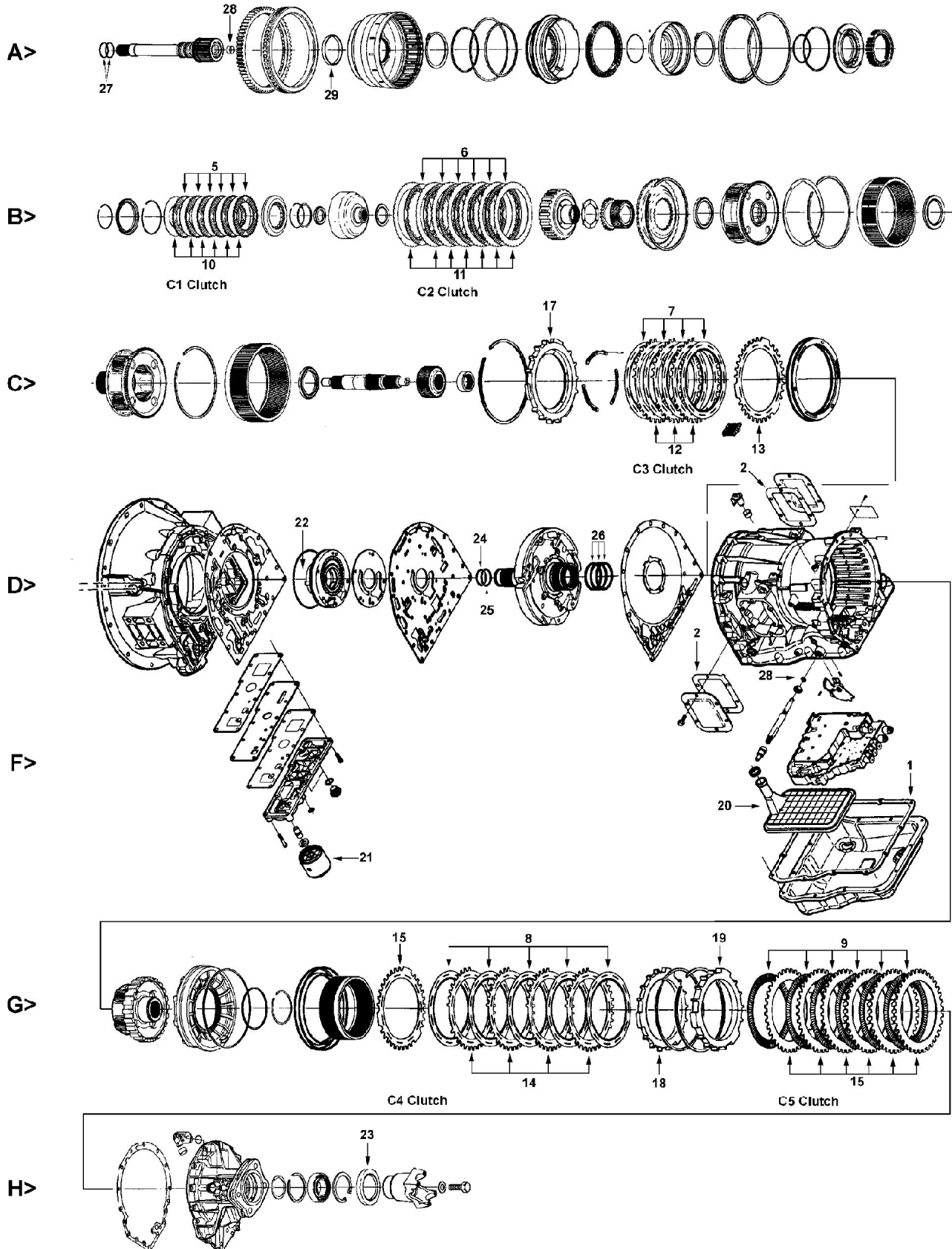
HARD PARTS

ILL	ALTO No.	REF No.	Description	Spec	Year	Qty	Notes
N I	TBA	29501543	Shaft, Main		95-On	1	
N I	148375	29513484	Shaft, Stator support		95-On	1	

ALLISON

1000, 2000, 2400 SERIES

1999-On



ALLISON

1000, 2000, 2400 SERIES

1999-On

KITS *Add Suffix SK for Super Kit

ILL	Description	Years	Friction Module	Steel Module	Overhaul Kit	Banner Kit	Master Kit
KT	Rebuilding Kit without Bonded Pistons	99-05	152752	152753	152800	152901LS	152901
KT	Rebuilding Kit with Bonded Pistons	99-05	152752	152753	152800A	152901ALS	152901A
KT	Rebuilding Kit without Bonded Pistons	06-09	152752	152753	152802	152903LS	152903
KT	Rebuilding Kit with Bonded Pistons	06-09	152752	152753	152802A	152903ALS	152903A
KT	Rebuilding Kit with Bonded Pistons	10-On	152752A	152753A	152804A	152905ALS	152905A
KT	Rebuilding Kit without Bonded Pistons	10-On	152752A	152753A	152802	152905LS	152905

MISCELLANEOUS GASKETS & KIT COMPONENTS

ILL	ALTO No.	REF No.	Description	Spec	Year	Qty	Notes
1F	152816	29536526	Gasket, Oil Pan		99-On	1	
2D	055006	29501161	Gasket, PTO cover	Cork/Rub	99-On	2	
2D	055006A	29501161	Gasket, PTO cover - Armstrong	Fiber	99-On	opt.	

FRICION CLUTCHES

ILL	ALTO No.	REF No.	Description	Spec	Year	Qty	Notes
5B	152700-250	29530312 29538468	C1 Clutch - external Teeth	.098	99-09	6	Red - 36T - ID: 3.230" - PLNI
5B	152700-178	29546276	C1 Clutch	.070	10-On	7	Red - 36T - ID: 3.230" - SB
6B	152702-248	29530313 29538469	C2 Clutch	.097	99-On	6	Red - 24T - OD: 7.500" - PLNI
7C	152704W183	29546270	C3 Clutch - Red Eagle® - waved	.072	10-On	4	Red - 117T - OD: 8.670" - SM - Waved
8G	152704W183	29546270	C4 Clutch - Red Eagle® - waved	.072	10-On	5	Red - 117T - OD: 8.670" - SM - Waved
8G	152704-246	29531049	C4 Clutch - Red Eagle®	.097	99-On	5	Red - 117T - OD: 8.670" - SM
7C	152704-246	29531049	C3 Clutch - Red Eagle®	.097	99-09	4	Red - 117T - OD: 8.670" - SM
9G	152706-180	29537393	C5 Clutch - Red Eagle®	.071	99-On	6	Red - 115T - OD: 8.670" - SB
9G	152706-250	29537393	C5 Clutch - Red Eagle®	.098	99-On	6	Red - 115T - OD: 8.670" - SB

FRICION CLUTCHES- HI-PERFORMANCE

ILL	ALTO No.	REF No.	Description	Spec	Year	Qty	Notes
NI	152700D170	NA	C1 Clutch - Internal Spline	.067	01-On	8	G3BR - 34T - OD: 4.743"
NI	152700-178	NA	C1 Clutch - Internal Spline	.067	01-On	8	G3BR - 34T - OD: 4.743"
NI	152701A170	NA	C1 Clutch , One Sided	.067	01-On	8	G3BR - 36T - ID: 2.916"
NI	152701D170	NA	C1 Clutch - External Spline	.067	01-On	8	G3BR - 36T - OD: 5.049"
NI	152704-213	NA	C3/C4 Clutch - Internal Spline	.084	01-On	7	G3BR - 108T - OD: 8.670" - PLNI
NI	152704A216	NA	C3/C4 Clutch - Internal Spline	.085	99-09	12	G3BR - 24T - OD: 8.670" - PLNI
NI	152706A180	NA	C5 Clutch - Internal Spline	.071	99-09	8	G3BR - 115T - OD: 8.660" - PLNI
NI	152702B185	NA	C2 Clutch - Internal Spline	.073	99-09	8	G3BR - 24T - OD: 7.50" - PLNI

STEEL CLUTCHES

ILL	ALTO No.	REF No.	Description	Spec	Year	Qty	Notes
10B	152701-218	29530314	C1 Clutch - Internal Teeth	.086	99-On	6	34T - OD: 4.743"
11B	152703-218	29530315	C2 Clutch	.086	99-On	7	42T - ID: 6.302"
12C	152705A170	NA	C3, C4 Clutch	.067	99-09	3	27T - ID: 7.111"
12C	152705-250	29531048	C3 Clutch	.098	99-09	3	27T - ID: 7.111"
12C	152705C250	29546701	C3 Clutch	.098	10-On	4	27T - ID: 7.112"
14G	152705-250	29531048	C4 Clutch	.098	99-09	4	27T - ID: 7.111"
14G	152705C250	29546701	C4 Clutch	.098	10-On	6	27T - ID: 7.112"
15G	TBA	29531046	C4 Clutch - wave		99-On	1	27T
16G	152707-250	29536482	C5 Clutch	.098	99-On	5-6	36T - ID: 7.108"

ALLISON

1000, 2000, 2400 SERIES

1999-On

STEEL CLUTCHES

ILL	ALTO No.	REF No.	Description	Spec	Year	Qty	Notes
16G	152707-200	29536481	C5 Clutch - selective	.078	99-On	AR	36T - ID: 7.108"
16G	152707-300	29536483	C5 Clutch - selective	.118	99-On	AR	36T - ID: 7.108"

STEEL CLUTCHES- HI-PERFORMANCE

ILL	ALTO No.	REF No.	Description	Spec	Year	Qty	Notes
16G	152703K170	NA	C2 Clutch	.067	99-On	8	42T - ID 6.302" -Kolene
16G	152703K218	NA	C2 Clutch	.086	99-On	7	42T - ID 6.302" -Kolene
16G	152705A170	NA	C3-C4 Clutch - No Slots	.067	99-On	1	27T - ID: 7.111"
16G	152705A218	NA	C3-C4 Clutch - No Slots	.086	99-On	1	27T - ID: 7.111"
16G	152705A250	NA	C3-C4 Clutch - No Slots	.098	99-On	1	27T - ID: 7.111"
16G	152705AK170	NA	C3-C4 Clutch - No Slots	.067	99-On	AR	27T - ID: 7.111" - Kolene
16G	152705AK218	NA	C3-C4 Clutch - No Slots	.086	99-On	5	27T - ID: 7.111" - Kolene
16G	152705AK250	NA	C3-C4 Clutch - No Slots	.098	99-On	AR	27T - ID: 7.111" - Kolene
16G	152705K170	NA	C3-C4 Clutch - No Slots	.067	99-On	4	27T - ID: 7.111" - Kolene
16G	152705K250	NA	C3-C4 Clutch - No Slots	.098	99-On	2	27T - ID: 7.111" - Kolene
16G	152707K200	NA	C5 Clutch	.078	99-On	AR	36T - ID 7.106" - Kolene
16G	152761-254	NA	C1 Clutch	.465	99-On	8	17T - OD 4.726"
16G	152761-500	NA	C1 Clutch	.098	99-On	1	34T - OD 4.743"

PRESSURE PLATES

ILL	ALTO No.	REF No.	Description	Spec	Year	Qty	Notes
NI	152766	29538521	C1 Clutch- top		99-On	1	
NI	152766C	29538521	C1 Clutch- bottom		99-05	1	
NI	152761P115	NA	C1 Clutch- top-selective	.453	99-On	1	
NI	152762A500	NA	C2 Clutch	.199	99-On	1	42T- ID: 6.302"
13C	152761B635	NA	C3 Clutch, C4 Clutch - apply	.250	99-On	1	30T
13C	152761L3175	29535637	C3 Clutch, C4 Clutch - apply	.125	99-On	1	30T with slots
NI	152763P102		C3 Clutch - Internal Spline	.400	99-On	1	15T - ID: 6.221"
17C	TBA	29535639	C3 Clutch - backing		99-On	1	
18G	TBA	29535640	C4 Clutch - backing		99-On	1	
19G	TBA	29531058	C5 Clutch - backing		99-On	1	

OEI® Original Equipment Improvements

ILL	ALTO No.	REF No.	Description	Spec	Year	Qty	Notes
KT	152755	NA	PowerPack® C1 Clutch		99-05	1	
KT	152755A	NA	PowerPack® C1 Clutch		06-On	1	
KT	152755B	NA	PowerPack® C1 Clutch - G3		99-On	1	
KT	152756	NA	PowerPack® C2 Clutch		99-05	1	
KT	152756A	NA	PowerPack® C2 Clutch		06-On	1	
KT	152756B	NA	PowerPack® C2 Clutch - G3		99-On	1	
KT	152757	NA	PowerPack® C3 Clutch		99-05	1	
KT	152757A	NA	PowerPack® C3 Clutch		06-On	1	
KT	152757B	NA	PowerPack® C3 Clutch - G3		99-On	1	
KT	152758	NA	PowerPack® C4 Clutch		99-05	1	
KT	152758A	NA	PowerPack® C4 Clutch		06-On	1	
KT	152758B	NA	PowerPack® C4 Clutch - G3		99-On	1	
KT	152759	NA	PowerPack® C5 Clutch		99-On	1	
KT	152759B	NA	PowerPack® C5 Clutch - G3		99-On	1	
KT	152985	SK®	VB Shift Kit SK® Allison-Jr - 1000 Series	Transgo®	05-On	1	
KT	152986	SK®	VB Shift Kit SK® Allison Shift Kit - 1000-2400 Series	Transgo®	01-04	1	

ALLISON

1000, 2000, 2400 SERIES

1999-On

SHAFTS

ILL	ALTO No.	REF No.	Description	Spec	Year	Qty	Notes
N I	152378	NA	Output Shaft		99-On	1	
N I	152378HP	NA	Output Shaft Hi-Performance for 4WD		99-On	1	300M

FILTERS

ILL	ALTO No.	REF No.	Description	Spec	Year	Qty	Notes
20F	152940	29537617	Filter - Deep pan		99-05	1	
		29537966					
20F	152940A	29542824	Filter - Deep pan		06-On	1	Retro fits back to 99-On
20F	152941	29537514	Filter - Shallow pan		99-05	1	
		29537965					
20F	152941A	29542833	Filter - Shallow pan		06-On	1	Retro fits back to 99-On
21F	152942	29537268	Filter - Spin on		99-On	1	

METAL CLAD SEALS

ILL	ALTO No.	REF No.	Description	Spec	Year	Qty	Notes
22D	152400	29536299	Front Pump		99-On	1	
23H	152405	29536379	Extension Housing		99-On	1	
28D	032410C	23010610	Manual Lever		99-On	1	

SEALING RINGS

ILL	ALTO No.	REF No.	Description	Spec	Year	Qty	Notes
KT	152600	NA	Kit		99-On	1	
24D	152100	29531037	Front Pump stator - Front	Vespel®	99-On	1	comes in kit 29536405
25D	152101	29531038	Front Pump stator - Front	Vespel®	99-On	1	
26D	152102	29531036	Front Pump stator - Rear	Vespel®	99-On	3	
27A	152100	29531037	Input Shaft	Vespel®	99-On	2	comes in kit 29536405

BUSHINGS

ILL	ALTO No.	REF No.	Description	Spec	Year	Qty	Notes
N I	152200	29536703	Front Pump body		99-On	1	
N I	152201	29534369	Stator Support - rear	33.8mm	99-On	1	
28A	152202	29531084	Input Shaft - rear	20mm	99-On	1	
29A	152203	29531072	C1/C2 Clutch drum		99-On	1	
N I	152204	19531005	Output Shaft		99-On	1	

ELECTRONIC CONTROL COMPONENTS

ILL	ALTO No.	REF No.	Description	Spec	Year	Qty	Notes
N I	062504	24212690	Solenoid TCC/PWM (BW)		99-On	1	

PISTONS

ILL	ALTO No.	REF No.	Description	Spec	Year	Qty	Notes
N I	152670	NA	Piston Kit		99-05	1	4 Pistons
N I	152670A	NA	Piston Kit		06-11	1	3 Pistons
N I	152670B	NA	Piston Kit		10-On	1	3 Pistons
N I	152300	29536203	Piston C1 Balance 5 Speed		99-05	1	
N I	152300A	29542815	Piston C1 Balance 6 Speed		06-On	1	
N I	152301	29536105	Piston C2 Balance 5 Speed		99-05	1	
N I	152302	29536105	Piston C3, C4 Clutch Apply		99-05	1	
N I	152303	29537394	Piston C3, C4 Clutch 5 Speed,6 Speed		99-09	1	
N I	152303A	29546697	Piston C3, C4 Clutch Apply		10-On	1	

ALLISON

500, 500P, 500R, 500PR

4000EVS, 4000HS, 4000MH, 4000RDS 1995-On

KITS *Add Suffix SK for Super Kit

ILL	Description	Years	Friction Module	Steel Module	Overhaul Kit	Banner Kit	Master Kit
KT	Rebuilding Kit	95-05	149752	149753	149800	149901LS	149901
KT	Rebuilding Kit	06-On	149752	149753A	149802	149903LS	149903

FRICION CLUTCHES

ILL	ALTO No.	REF No.	Description	Spec	Year	Qty	Notes
N I	149700-322	29511462	C1 - external spline	.125/3.18	95-On	7	G3BK - 38T - ID: 5.203" - PLI
		29536338					
N I	149702-322	29505823	C2 Clutch	.127/3.23	95-On	7	G3BK - 98T - OD: 12.368" - PLI
		29536339					
N I	149704-381	29529291	C3 Clutch, C4 Clutch	.151/3.84	95-On	5/5	G3BK - 76T - OD: 12.632"
		29536340					
N I	149706-381	29541825	C5 Clutch (hardened spline)	.149/3.78	95-On	8	G3BK - 78T - OD: 12.367" - PLNI
		29527014					
		29536341					

STEEL CLUTCHES

ILL	ALTO No.	REF No.	Description	Spec	Year	Qty	Notes
N I	149701-246	29536347	C1 Clutch - internal spline	.097/2.46	95-On	6	48T - OD: 7.484"
N I	149703-249	29536348	C2 Clutch	.098/2.5	95-On	7	56T - ID: 10.047"
N I	149705-246	29536349	C3 Clutch, C4 Clutch	.097/2.5	95-On	4/5	24T - ID: 10.992"
N I	149705A330	29542506	C3 Clutch, C4 Clutch	.130/3.30	06-On	11	20T - ID: 11.001"
N I	149707-251	29536350	C5 Clutch	.097/2.5	95-On	9	56T - ID: 10.992"
N I	TBA	29506616	Torque Converter		95-On		
N I	TBA	29501543	Mainshaft		95-On		

ALLISON

CLBT 700 SERIES

KITS

ILL	Description	Friction Module	Steel Module	Overhaul Kit	Banner Kit	Master Kit
NI	Rebuilder Kit	352752	352753	352800	352901LS	352901

MISCELLANEOUS GASKETS & KIT COMPONENTS

ILL	ALTO No.	REF No.	Description	Spec	Year	Qty	Notes
NI	056815A	23016681	Gasket, Oil Pan (Solid)			1	
NI	055006A	23016683	Gasket, PTO Cover AT540			1	
NI	055007A	23018625	Gasket, Governor Cover AT540			1	
NI	056002	6750186	Gasket, Convertor Access Cover			1	
NI	056003	6758442	Gasket, PTO Cover CLBT			1	
NI	056004	5181902	Gasket, Front Cover			1	
NI	056005A	6880901	Gasket, Hub Cover .020"	.020"		1	
NI	056005B	NA	Gasket, Hub Cover .009"	.009"		1	
NI	056011	6839213	Gasket, Low/Rev. Adapter & Rear Cover			1	
NI	352003	6755672	Gasket, Bearing Retainer			1	
NI	352005	6773770	Gasket, Disconnect- Clutch Housing			1	
NI	352006	6778451	Gasket, Valve Body			1	
NI	352007	6778452	Gasket, Adapter Plate			1	
NI	352008	6838524	Gasket, Retarder Control Valve Body			1	
NI	352009	6839429	Gasket, Transfer Housing			1	
NI	352010	6839431	Gasket, Housing Adapter			1	
NI	352011	6882326	Gasket, Convertor Housing			1	
NI	352013	23046658	Gasket, Retarder Housing			1	
NI	352014	29524150	Gasket, End Cover			1	
NI	055554	6836587	Bolt, Center support to case		70-On	1	
NI	056553	23013398	Bolt, Center support to case	2.5	72-On	1	
NI	056554	23045343	Bolt, Center support to case	2.5	72-On	1	
NI	352560	6755289	Lock Strip		72-On	1	
NI	056561	6880889	Lock Strip, Torque Convertor Bolts		72-On	6	
NI	352560	6755289	Lock Strip		72-On	1	
NI	056009	29507909	Washer, Drain Plug		72-On	1	
NI	056556	23013841	Washer, Bolt		72-On	1	
NI	352150	6772740	Washer, Copper		72-On	1	
NI	352151	6703212	Washer, Copper		72-On	1	
NI	352315	NA	Bolt, 6-point		72-On	1	

FRICION CLUTCHES

ILL	ALTO No.	REF No.	Description	Spec	Year	Qty	Notes
NI	055704C250	29537887	2nd & 3rd Range - Hardened spline	.100/2.55	70-On	10	G3BK - 80T - OD: 9.100"
NI	056710B380	23010439	1st Range	.148	72-On	24	G3BK - 62T - OD:12.557" - PLI
NI	056712	23048511	Lockup Clutch (TC) - MT644/654	.205	72-On	1	G3BK - 73T - OD:14.600" - PLI

STEEL CLUTCHES

ILL	ALTO No.	REF No.	Description	Spec	Year	Qty	Notes
NI	056711	23047771	1st Range	.103	72-On	7	38T - ID: 10.825"
NI	056711A	23047772	1st Range - selective	.120	72-On	AR	38T - ID: 10.825"
NI	056715	6834488	2nd Range	.103	72-On	AR	16T - ID: 10.746"
NI	056715A	6834720	2nd Range	.120	72-On	AR	16T - ID: 10.746"
NI	056713	6834679	Forward	.103	72-On	5	14T - ID: 7.206"

ALLISON

CLBT 700 SERIES

METAL CLAD SEALS

ILL	ALTO No.	REF No.	Description	Spec	Year	Qty	Notes
NI	056405	6773311	Extension Housing	4.758	72-On	1	
NI	056404	6771231	Convertor Hub		72-On	1	
NI	032410C	23010610	Manual Lever		69-98	1	
NI	056406	23016947	Front Pump		69-98	1	
NI	056407	6773466	Transfer Housing		69-98	1	
NI	352400	6832559	Oil Seal		69-98	1	
NI	352401	23014064	Oil Seal		69-98	1	
NI	352402	6772608	Wiper-Scraper		69-98	1	
NI	352403	6883697	Oil Seal		69-98	1	

SEALING RINGS

ILL	ALTO No.	REF No.	Description	Spec	Year	Qty	Notes
NI	056602	23019653	Convertor Hub		69-98	1	
NI	056603	23014441	Front and Center Support		69-98	2	
NI	056604	23019652	Input Shaft and Retarder		69-98	2	
NI	056605	23014631	Input Shaft		69-98	1	

VOITH**D1WA****REBUILDING KIT**

Description	Years	Friction Module	Steel Module	Overhaul Kit	Banner Kit	Master Kit
Clutch Modules D864.3E		125752	125753			
Overhaul Kit Models 851, 851.2, 851.3, 854.3, 863, 863.3 replaces 59.3597.10				125800		

FRICITION CLUTCHES

ILL	ALTO No.	REF No.	Description	Spec	Year	Qty	Notes
N I	125706-320	58.4150.12 *	Input - US 3.2mm	.126/3.2		4	HEG - 50T - OD: 10.15" - PLNI
N I		68.300113	Also 150.00411510				
N I	125706-320	58.4150.12 *	SK-Speed clutch	.126/3.2		4	HEG - 50T - OD: 10.15" - PLNI
N I	125706-320	58.4150.12 *	Lock-Up US 3.2mm	.126/3.2		4	HEG - 50T - OD: 10.15" - PLNI
N I	125706-300	58.4150.12 *	Input, Lock-Up selective Non-US 3.0mm	.118/3.0		AR	HEG - 50T - OD: 10.15" - PLNI
		NA	* Note: Some Non-US Units may require 3.0mm thickness frictions				
N I	125704	58.2460.13	Pump Brake	.118/3.0		2	Tan - 50T - OD: 10.15" - PLNI
N I	125708	50.7147.16	Reverse	.136/3.45		6	HEG - 63T - OD: 12.50" - CGSM
		50.7147.17					
N I	125714	58.2250.12	Torque Converter	.138/3.5		3	Brz - 63T - OD: 12.51" - Sprl
		58.2250.13					

STEEL CLUTCHES

ILL	ALTO No.	REF No.	Description	Spec	Year	Qty	Notes
N I	125707	50.7920.10	Input	.079/2.0		3-6	12T - ID: 8.173"
N I	125707-300	NA	Input - selective	.118/3.0		1	12T - ID: 8.173"
N I	125707-350	52.6306.10	Input	.138/3.5		6	12T - ID: 8.173"
N I	125705	50.7715.20	Input - backing	.118/3.0		2-3	12T - ID: 8.173"
N I	125705A300	52.6303.10	Input - backing (2 short teeth)	.118/3.0		1-2	12T - ID: 8.173"
N I	125707	50.7920.10	Lock-up	.079/2.0		1	12T - ID: 8.173"
N I	125707-350	52.6306.10	Lock-up	.138/3.5		3	12T - ID: 8.173"
N I	125707-350	52.6306.10	Pump Brake	.138/3.5		2	12T - ID: 8.173"
N I	125705A300	52.6303.10	Pump Brake	.118/3.0		AR	12T - ID: 8.173" (2 Short Teeth)
N I	TBA	54.8208.10	Pump Brake - backing	.277/7.0		1	12T
N I	125709	54.9141.10	Reverse	.098/2.5		6	12T - ID: 10.41"
N I	125715	50.9743.13	Torque Converter	.098/2.5		4	12T - ID: 10.429"

PRESSURE PLATES

ILL	ALTO No.	REF No.	Description	Spec	Year	Qty	Notes
N I	125768	54.8208.10	Direct End Plate	.275/7.0		1	12T - ID: 11.023"

FILTER KITS

ILL	ALTO No.	REF No.	Description	Spec	Year	Qty	Notes
N I	FK125940	59.3255.10	Filter Kit Voith 851, 851.2, 851.3			1	filter, gasket, washers

Z F

ECOMAT 4HP500, 5HP500, 4HP590, 5HP590 4HP600, 5HP600, 6HP600, W360

KITS *Add Suffix SK for Super Kit							
ILL	Description	Years	Friction Module	Steel Module	Overhaul Kit	Banner Kit	Master Kit
KT	Rebuilding Kit	90-On	121752	121753	121800	121901LS	121901
	Also available: Torque Converter Kit, Cover Plate Kit & Sealing Ring Kit - Inquire for Details				Main Body Kit		
KT	Rebuilding Kit - 6HP600 only	90-On	121752A	121753A	TBA	TBA	TBA

MISCELLANEOUS GASKETS. REPAIR KITS & COMPONENTS							
ILL	ALTO No.	REF No.	Description	Spec	Year	Qty	Notes
N I	121816	4139-301-579	Gasket, Oil Pan	Fiber	90-On	1	
N I	121803A	4139-298-943	Repair Kit		90-On	1	
N I	121803B	4139-298-939	Repair Kit - Front cover		90-On	1	
N I	121803C	4139-298-937	Repair Kit		90-On	1	
N I	121803D	4139-298-942	Repair Kit - Lip seal		90-On	1	
N I	121803E	4139-298-941	Repair Kit - Lip seal		90-On	1	
N I	121803F	4139-298-938	Repair Kit		90-On	1	
N I	121803G	4139-298-940	Repair Kit - Front cover		90-On	1	
N I	121803H	4139-298-954	Repair Kit - Lip seal		90-On	1	
N I	121803J	4139-298-945	Repair Kit		90-On	1	

FRICTION CLUTCHES							
ILL	ALTO No.	REF No.	Description	Spec	Year	Qty	Notes
N I	121700	4139-270-025	A Clutch - external Teeth	.118 / 3.00	90-On	6-8	HEG - 10T - ID: 4.967" - PLNI
		0501-213-172					
		4139-270-021					
N I	121702	4139-233-177	B Clutch (Except 6HP600)	.115 / 2.90	90-On	4-5	HEG - 42T - OD: 10.100" - PLNI
		4139-270-036					
		0501-213-173					
N I	121702-315	NA	B Clutch (6HP600)	.124 / 3.15	90-On	4-5	HEG - 43T - OD: 10.100" - PLNI
N I	121702	4139-233-177	C Clutch (Except 6HP600)	.115 / 2.90	90-On	4	HEG - 42T - OD: 10.100" - PLNI
		4139-270-036					
		0501-213-173					
N I	121702-315	NA	C Clutch (6HP600)	.124 / 3.15	90-On	4	HEG - 43T - OD: 10.100" - PLNI
N I	121704	4139-233-178	D Clutch	.118 / 3.00	90-On	3-4	HEG - 46T - OD: 10.932" - PLNI
		4139-233-083					
		4139-233-303					
		4139-233-307					
N I	121704	4139-233-178	E Clutch	.118 / 3.00	90-On	6-7	HEG - 46T - OD: 10.932" - PLNI
		4139-233-083					
		4139-233-303					
		4139-233-307					
N I	121704	4139-233-178	F Clutch	.118 / 3.00	90-On	6-8	HEG - 46T - OD: 10.932" - PLNI
		4139-233-083					
		4139-233-303					
		4139-233-307					
N I	121704A262	4139-233-307	D, E, F Clutch - selective	.103 / 2.62	TBA	AR	HEG - 46T - OD: 10.932" - SB
N I	121708-300	4139-233-309	G Clutch (6HP600)	.118 / 3.00	90-On	9	HEG - 48T - OD: 10.930" - PL

STEEL CLUTCHES							
ILL	ALTO No.	REF No.	Description	Spec	Year	Qty	Notes
N I	121701	4139-333-036	A Clutch - internal Teeth	.079 / 2.00	90-On	6-8	32T - OD: 6.417"
N I	121701-250	4139-333-765	A Clutch - internal Teeth (selective)	.098 / 2.50	90-On	AR	32T - OD: 6.417"
N I	121703A300	4149-370-001	A Clutch - 45 Teeth	.118 / 3.00	90-On	AR	45T - ID: 8.708"
N I	121703	4139-333-172	B Clutch, C Clutch	.079 / 2.00	90-On	4	34T - ID: 8.708"

Z F

ECOMAT 4HP500, 5HP500, 4HP590, 5HP590 4HP600, 5HP600, 6HP600, W360

STEEL CLUTCHES

ILL	ALTO No.	REF No.	Description	Spec	Year	Qty	Notes
N I	121703-250	4139-333-759	B Clutch, C Clutch - selective	.098 / 2.50	90-On	AR	34T - ID: 8.708"
N I	121705	4139-333-015	D Clutch, E Clutch, F Clutch	.079 / 2.00	90-On	4	24T - ID: 9.304"
N I	121705-250	4139-333-745	D Clutch, E Clutch, F Clutch (selective)	.098 / 2.50	90-On	AR	24T - ID: 9.304"
N I	121705-300	4139-333-263	D Clutch - selective	.118 / 3.00	90-On	AR	24T - ID: 9.304"
N I	121705A200	4139-373-029	F Clutch - wider teeth no holes	.079 / 2.00	90-On	AR	24T - ID: 9.320"
N I	121709-200	NA	G Clutch (6HP600)	.079 / 2.00	90-On	9	24T - ID: 9.767"
N I	121709-250	NA	G Clutch - selective (6HP600)	.098 / 2.50	90-On	AR	24T - ID: 9.767"

TORQUE CONVERTER-FRICTION RINGS AND CLUTCHES

ILL	ALTO No.	REF No.	Description	Spec	Year	Qty	Notes
N I	121706	4166-238-037	Torque Converter (Except 6HP600, 5HP590)	.118 / 3.00	90-On	2	Gm - 18T - OD: 12.930" - SM
N I	121706A320	4166-238-042	Torque Converter (6HP600)	.124 / 3.15	90-On	2	HEG - 36T - OD: 15.398" - PL
N I	121706C310	4166-236-134	Torque Converter (W360)	.122 / 3.10	90-On	AR	HEG - 59T - OD: 12.96"
		4166-236-098					
		4166-236-129					
N I	121706D310	0501-212-249	Torque Converter	.123 / 3.12	90-On	1	66T - OD: 15.009"
N I	121707	4139-334-004	Torque Converter (Except 6HP600)	.079 / 2.00	90-On	AR	12T - ID: 11.887"
N I	121707-300	NA	Torque Converter (Except 6HP600)	.118 / 3.00	90-On	AR	12T - ID: 11.887"
N I	121707-350	4139-334-006	Torque Converter (Except 6HP600)	.138 / 3.50	90-On	AR	12T - ID: 11.887"
N I	121707-400	4139-334-005	Torque Converter (W360)	.157 / 3.99	90-On	AR	12T - ID: 11.887"
N I	121707A250	NA	Torque Converter (6HP600)	.098 / 2.50	90-On	2	36T - ID: 14.313"
N I	121707A300	4166-338-202	Torque Converter (6HP600)	.118 / 3.00	90-On	1	36T - ID: 14.313"
N I	121707B400	0501-320-306	Torque Converter	.157 / 4.00	90-On	AR	12T - ID: 11.800"
N I	121707D405	0501-318-589	Torque Converter	.159 / 4.04	90-On	1	8T - ID: 13.224"
N I	121716-305	0501-213-150	Torque Converter (5HP590)	.079 / 2.00	90-On	6-8	HEG - 59T - OD: 13.365" - PLNI

PRESSURE PLATES

ILL	ALTO No.	REF No.	Description	Spec	Year	Qty	Notes
N I	121701-300	4139-333-694	A Clutch - Bottom	.118 / 3.00	90-On	1	32T - OD: 6.417"
N I	121703-300	4139-333-373	B Clutch - Bottom	.118 / 3.00	90-On	1	34T - ID: 8.708"
N I	TBA	4139-333-437	C Clutch - Bottom		90-On	1	
N I	121705-300	4139-333-263	D Clutch - Bottom	.118 / 3.00	90-On	1	24T - ID: 9.304"
N I	121705B300	4139-333-766	E Clutch - Bottom no holes	.118 / 3.00	90-On	1	
N I	121763	4139-333-480	F Clutch - Top	.079 / 2.00	90-On	1	24T - ID: 9.304

FILTERS

ILL	ALTO No.	REF No.	Description	Spec	Year	Qty	Notes
N I	121940	0750-131-003	Filter		90-On	1	

METAL CLAD SEALS

ILL	ALTO No.	REF No.	Description	Spec	Year	Qty	Notes
N I	121400	0750-111-044	Front Pump	150mm	90-On	1	
N I	121405	0750-111-018	Extension Housing (without PTO)	125mm	90-On	1	
N I	121420	0734-310-353	Speedometer	15mm	90-On	1	