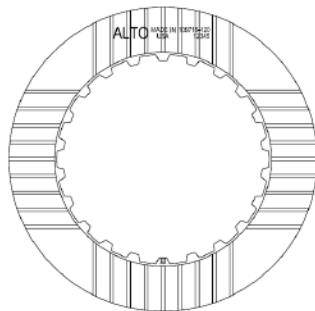


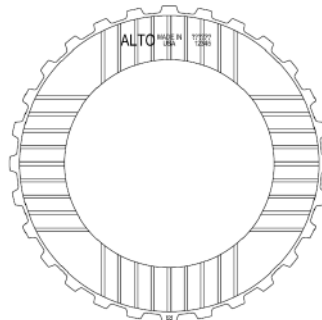
## ALTO is pleased to announce the availability of the following clutch plates:

**109716-120 , K3-3/4 CI 1 Side HEG Internal**  
**109717-120 , K3-3/4 CI 1 Side HEG External**  
**109762A570, K3-3/4 HEG (PRESSURE PLATE)**

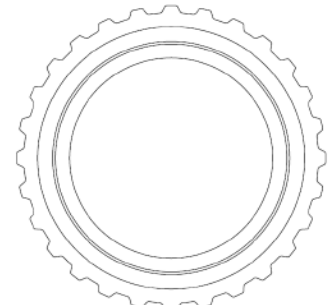
Volkswagen made for the Jettas and Passats a high performance version of the **01M** transmission for the racing circuit from 2000-2003 using the VR6 (engines). The differences in the plates are found in the K3 (3/4 direct) clutches. These clutches and pressure plate are all one-sided High Engery (HEG) frictions.



(109716-120)



(109717-120)



(109762A570)

For your convenience, we also have the following parts available for the 01M.

109800B Overhaul Kit (with Pistons)  
 109800A Overhaul Kit (without Pistons)  
 109750DX Fr/St Mod (with Pressure Plate)  
 Master Kit 109901BX- with Pistons and Super Kit 109901CX (without Pistons)

070222



© Alto Products Corp.

