



MARINE

FRICITION MATERIAL & TRANSMISSION PARTS



PLEASURE | WORK BOATS | FISHING | PLEASURE | WORK BOATS | FISHING | PLEASURE | WORK BOATS | FISHING |

VELVET DRIVE® S5000, S5000 "V" Drive

ITEM	REFERENCE	DESCRIPTION	USAGE	NOTES
340800	2001-410-001	OVERHAUL KIT S5000 Includes Gaskets, Orings, Metal Clad Seals and Sealing Rings	1	
340800V	2002-410-001	OVERHAUL KIT S5000 V Drive Includes Gaskets, Orings, Metal Clad Seals and Sealing Rings	1	
340901	NL	MASTER OVERHAUL KIT S5000 Includes Overhaul Kit, Bronze Plates and Steel Plates	1	
340901V	NL	MASTER OVERHAUL KIT S5000 V Drive Includes Overhaul Kit, Bronze Plates and Steel Plates	1	
340750	NL	CLUTCH PLATE MODULE Includes 16 Bronze Plates and 18 Steel Plates	1	
340702	2001-666-001	Friction - Drive	16	Bronze .066
340703	2001-166-002	Steel - Drive	14	Flat .077
340705	2001-062-002	Steel	4	Flat .044
340020	2001-045-005	Gasket - Front Pump S5000 & V Drive	1	
340021	2001-045-003	Gasket - Valve Housing S5000 & V Drive	1	
340021V	2002-045-002	Gasket - Adapter - V Drive	1	
018101	2000-016-050	Sealing Ring - Pinion Carrier	AR	S5000 1Pc,V Drive 4 Pcs
340101	1000-016-021	Sealing Ring - In Shaft	AR	S5000 1Pc,V Drive 2 Pcs
340420	1000-044-065	Metal Clad Seal - Adapter S5000 & V Drive	2	
340421	1000-044-066	Metal Clad Seal - Coupling S5000	1	
340422	2000-044-003	Metal Clad Seal - Output Shaft Side V Drive	1	
340423	2000-044-004	Metal Clad Seal - Output Flange Side V Drive	1	
010045	1000-141-045	Oring - Piston	2	
010123	1000-141-123	Oring - Control Valve	1	
010130B	1000-141-130	Oring - Clutch Piston	2	
010214	1000-141-214	Oring - Tube Assembly	1	
010241	1000-141-241	Oring - Clutch Piston	2	
340051	1000-016-020	Seal - Piston In	2	
340052	1000-016-019	Seal - Piston Out	2	
340251	1000-139-069	Snap Ring	2	
340252	1000-139-071	Snap Ring	1	
340253	1000-139-068	Snap Ring	5	
340350	2001-123-9001	Control Valve	1	
099328	1000-640-004	Neutral Safety Switch	1	
023302	NL	Hard Part - Valve Spring with Gertor Oil Pump	1	
023320	1000-149-034	Nut - Output Shaft with Washer	1	
340321	2001-031-001	Output Flange	1	
340940	2001-238-001	Filter - Oil Screen	1	

VELVET DRIVE® 71 & 72

ITEM	REFERENCE	DESCRIPTION	USAGE	NOTES
023801	10-17-410-002	GASKET SET (Includes Rubber Parts)	1	
023801B	A4867HA	OVERHAUL KIT (Includes Gasket Set)	1	
023901LS	NL	BANNER KIT Includes Overhaul Kit and Bronze Plates	1	
023901	NL	MASTER OVERHAUL KIT Includes Overhaul Kit, Bronze Plates and Steel Plates	1	
023750D	NL	CLUTCH PLATE MODULE Includes 10 Bronze Plates and 6 Steel Plates	1	
023750H	NL	CLUTCH PLATE MODULE - VD71 Only Includes 7 Bronze Plates and 5 Steel Plates	1	
023752D	NL	FRICITION PLATE MODULE Includes 10 Bronze Plates	1	

MARINE CATALOG

ALTO PRODUCTS CORP.

ITEM	REFERENCE	DESCRIPTION	USAGE	NOTES
023755	A4867AE	10-17 FORWARD CLUTCH PACK Only Includes Forward Clutch Bronze Plates, Steel Plates and Front & Rear Pressure Plates	1	
023755A	A4867AB	10-18 FORWARD CLUTCH PACK Only Includes Forward Clutch Bronze Plates, Steel Plates and Front & Rear Pressure Plates	1	
049722	W-1597A	Friction Forward Small K2 (Grooved)	5-7	HEG .063
049700BR	5C-A66A	Friction Forward Small	5-7	Bronze .060
023701	3-176	Steel Forward Small	4-6	Flat .068
023701A	10-16-166-001	Steel Forward Small (3 Teeth missing)	4-6	Flat .068
023701-040	NL	Steel Forward Small - Selective	AR	Flat .040
023701-120	NL	Steel Forward Small - Hi-Performance	AR	Flat .047
023701-140	NL	Steel Forward Small - Hi-Performance	AR	Flat .058
023703	3-65	Steel Forward - MODEL 73 Only		Dish .068
023760	5C-175A	Pressure Plate Forward/ Front	1	
023761	5L-67	Pressure Plate Forward/Rear	1	
023738	10-17-666-001	Friction Reverse Large	1-3	Fiber .115
023738BR	72-A66B	Friction Reverse Large	1-3	Bronze .115
023738BR155	72-A66	Friction Reverse Large	2	Bronze .061
023739	72-176	Steel Reverse Large	0-2	Flat .070
023767	3-37	Steel Forward Belleville Spring	1	Dish
023323	4547AY	Coupling 5 - MODEL 10-18 Only	1	
023324	4547BA	Coupling 4 - MODEL 10-17 Only	1	
023327	1000-031-001	Coupling - Current Reduction	1	Fine Spline
023328	4912	Coupling - Early Reduction	1	Fine Spline
023543-075	4BX-A	Coupling Shaft VD71/72 4" X .75 Bore		
023543-087	4BX-AA	Coupling Shaft VD 71/72 4" X .875 Bore		
023543-125	4865DD 4BX-D	Coupling Shaft VD 71/72 4" X 1.25 Bore		
023559-125	4886D 5AX-D	Coupling Shaft VD 71/72 5" X 1.25 Bore		
023559-137	NA	Coupling Shaft VD71/72 5" X 1.375 Bore		
023559-150	NA	Coupling Shaft VD71/72 5" X 1.50 Bore		
023020	71-144B	Gasket - Forward/Reverse Adapter	1	
023021	L4-145	Gasket - Front Adapter	1	
023022	71-14	Gasket - Valve Cover	1	
023023	L4-146	Gasket - Rear Adapter	1	
023024	L4-147	Gasket - Rear Retainer - Reduction Early	1	
023025	71-147	Gasket - Rear Retainer - MODEL 10-17	1	
023026	72-147	Gasket - Rear Retainer - MODEL 10-18	1	
023002	3-61	Seal - Front Pump	1	
A38001	4805A	Seal - Reverse Clutch Outer	1	
023054A	5L-36	Seal - Forward Clutch Outer	1	
010210A	4804H	Oring - Control Valve	1	
010226B	5M122	Oring - Forward Clutch Inner	1	
010226B	4804G	Oring - Reverse Inner	1	
023941	1000-238-002 72C-98	Filter - Oil	1	
099328	1000-640-004	Neutral Safety Switch	1	
023185	71-79B	Shift Lever	1	
099329	1000-140-004	Switch - Oil Temperature 190°	1	
099329A	87-88031	Switch - Oil Temperature 230°	1	
099329B	1000-140-002	Switch - Oil Temperature 260°	1	
018101	4806B TAW-408	Sealing Ring - Pinion Carrier	4	2.0 x .0935 HJ
038105	4806J TAW-1320	Sealing Ring - Drive Gear	2	1.7465 x .0935 HJ
023420	1000-044-014 UE-0282E	Metal Clad Seal - Front Pump		OD: 53mm/2.08"

VELVET DRIVE® 71 & 72

ITEM	REFERENCE	DESCRIPTION	USAGE	NOTES
023422	1000-044-017 UH-0049E	Metal Clad Seal - Coupling		OD: 83mm/3.271" Late Type Reduction
023421	71C-110 UH-0341E	Metal Clad Seal - Coupling		OD: 68mm/2.69" Early Type Reduction
023320	1000-149-034	Output Shaft Nut - Coupling Nut with Washer		All Late Reduction Units
023321	4775L	Nut - Ouput Shaft Coupling (Fits 4" & 5" couplings)	1	
023604	NL	Sealing Ring Kit : Contains 4 Pc 018101, 2 Pc. 038105		
023252	4822	Snap Ring - Reverse Gear	1	
023253	R6A-7-1/2	Snap Ring - Drive Gear Large MODEL 10-17 Only	1	
023255	4734	Snap Ring - Drive Gear Small MODEL 10-17 Only	2	
023258	1000-139-048	Snap Ring - Ring Gear Yellow MODEL 10-17	1	.033-.037
023258-130	1000-139-049	Snap Ring - Ring Gear Pink MODEL 10-17	1	.050-.054
023276	71-97	Spring - Reverse Pressure Plate	11	
023277	71-242	Spring - Valve Regulator		
023350	71C1A60	Oil Pump	1	
023350A	71CA60 1004-508-101	Oil Pump	1	
023359	1017-036-002	Oil Baffle 71C		
023325	B308AGS 1000-130-018	Roller Bearing	1	
023326	6007J	Ball Bearing- Forward	1	
023322	4840D	Needle Bearing - Forward & Reverse Adapter	1	
023351	1017-559-001	Dipstick		
023258A130	4768	Snap Ring - Ring Gear Green MODEL 10-18	2	.050-.054
023247	71-28C (4867VVKIT)	Bushing - Case Housing Forward/Reverse	2	
023248	71-9C (4867DDKIT)	Bushing - Carrier Assembly	2	
023196	71-17	Thrust Washer	1	
023187	1016-193-001	Washer	1	
023188	71-15B	Washer	1	
023189	73C-15	Thrust Washer	1	

VELVET DRIVE® 71 & 72 "V" Drive

ITEM	REFERENCE	DESCRIPTION	USAGE	NOTES
023801CB	1308-410-001	OVERHAUL KIT Includes Gasket Set, Orings, Metal Clad Seals and Nut	1	
023027	1308-045-001	Gasket - V DRIVE Housing Up to 1991	1	
023028	1308-045-004	Gasket - V DRIVE Housing 1992-On	1	
023029	1308-045-002	Gasket - V DRIVE Trans	1	
023030	1308-045-003	Gasket	1	
010235B	1000-141-235	Oring - Pre-Load Cap	2	
023421	71C-110	Metal Clad Oil Seal - Output UP to 1989	1	
023422	1000-044-017	Metal Clad Oil Seal - Output 1990-On	1	
023320	1000-149-034	Nut - Output Shaft	1	
023335	1308-410-015	Flange Kit - V DRIVE Conversion Kit	1	
023332	1308-027-005	Flange - Housing	1	
023333	942-1652	Bolt - Flange Housing	6	
023335	1308-410-015 25662	Flange Kit - V DRIVE Conversion Kit HEAVY DUTY	1	

VELVET DRIVE® 71 & 72 Damper Assemblies

VELVET DRIVE® 71 & 72 Damper Assemblies

ITEM	REFERENCE	DESCRIPTION	USAGE	NOTES
DA-101	1004-650-001	13" x 7/8" Diameter, 8 bolt, 10 springs, 26 Teeth	1	
DA-102	1004-650-002 AS4-K1C	6.18" OD, 1.353 Spline, Red spring, 26 Teeth	1	
DA-103	1004-650-003	8.0" OD, 1.35 Spline (8 Equally Spaced Holes), 26 Teeth	1	
DA-106	1004-650-006 AS4-K2C	6.66" RAD (Triangle), 1.353 Spline, Red spring, 26 Teeth	1	
DA-106A	120-8-1446 AS8-K2C	6.66" RAD Same as DA-106 except w/Cut Off Rounded Ears, 26 Teeth	1	
DA-107	1004-650-007 AS7-K2C	13.25" OD Fits Engines up to 430 C.U. 1.353 spline, Purple spring, 26 Teeth	1	
DA-108	1004-650-008 AS5-K2C	13.25" OD Fits Engines up to 370 C.U., White spring, 26 Teeth	1	
DA-302	2301-650-001	157mm X 123mm 10/23/29 Teeth DIN 5464, 10 Teeth 45 Degree x 8	1	
023151A	1013-037-002	Shim	1	.005"
023151B	1013-037-004	Shim	1	.009"
023151C	1308-037-009	Shim	1	.020"

PRM-NEWAGE Model 175-750

ITEM	REFERENCE	DESCRIPTION	USAGE	NOTES
326700BR	MT725/S	FR NEWAGE INNER DRIVE PLATE BRONZE	7	Brz Spiral 1.55mm/.061" 24 Teeth

BORG WARNER

ITEM	REFERENCE	DESCRIPTION	USAGE	NOTES
ATK026-1001	53269706497 861260	Marine Turbo		

**BORG WARNER (CR-2) / VELVET DRIVE
1013/14 DROP CENTER**

ITEM	REFERENCE	DESCRIPTION	USAGE	NOTES
023801DB	1013-410-001	OVERHAUL KIT Includes Gaskets, Metal Clad Seals and Sealing Rings	1	
023901B	NL	MASTER OVERHAUL KIT Includes Overhaul Kit, Bronze Plates and Steel Plates	1	
023901BLS	NL	BANNER KIT Includes Overhaul Kit and Bronze Plates	1	
023750D	NL	CLUTCH PLATE MODULE Includes 10 Bronze Plates and 6 Steel Plates	1	
049700BR	5C-A66A	Friction Forward	5-7	Bronze .060
023738BR	72A-66B	Friction Reverse	1-3	Bronze .115
023701	3-176	Steel Forward	4-6	Flat .068
023739	72-176	Steel Reverse	1-2	Flat .070
A38001	4805A	Seal - Reverse Clutch Outer	1	
023054A	5L-36	Seal - Forward Clutch Outer	1	
023002	3-61	Seal - Front Pump	1	
023020	71-144B	Gasket - Case & Adapter	1	
023022	71-14	Gasket - Valve Cover	1	
023041	1013-045-002	Gasket - Reduction Housing	1	
023042	1013-045-001	Gasket - Adapter	1	
010210A	4804H	Oring - Control Valve		

MARINE CATALOG

ALTO PRODUCTS CORP.

BORG WARNER (CR-2) / VELVET DRIVE 1013/14 DROP CENTER

ITEM	REFERENCE	DESCRIPTION	USAGE	NOTES
010226B	5M-122	Oring - Forward Clutch Inner		
010226B	4804G	Oring - Reverse Clutch Inner		
023420	1000-044-014	Metal Clad Seal - Front Pump		
023428	1000-044-003	Metal Clad Seal - Coupling		
023111	4806S 4806L	Sealing Ring - Teflon	2	
038105	4806J	Sealing Ring	5	
023315	1013-053-011	Spacer		
023316	1013-053-010	Spacer		

VELVET DRIVE ® S500

ITEM	REFERENCE	DESCRIPTION	USAGE	NOTES
044701	1023-166-001	Steel Forward/Reverse	7	Flat .071

VELVET DRIVE ® 1500

ITEM	REFERENCE	DESCRIPTION	USAGE	NOTES
027700	1023-666-003	Friction Forward/Reverse		
027701	1023-166-002	Steel Forward		

VELVET DRIVE ® 7000

ITEM	REFERENCE	DESCRIPTION	USAGE	NOTES
023748	1026-666-001	Friction Forward/Reverse	15	Fiber .061
023749	1026-166-001	Steel Forward/Reverse	15	Flat .068

PARAGON MODELS P21, P31, OW1 (SN5M-P)

ITEM	REFERENCE	DESCRIPTION	USAGE	NOTES
023809DB	Z-7601	OVERHAUL KIT Includes Gaskets, Orings, Metal Clad Seals and Sealing Rings	1	Combo Fits SN5M-5P & 6A & Later
023909D	NL	MASTER OVERHAUL KIT Includes Overhaul Kit, Bronze Plates and Steel Plates	1	Combo Fits SN5M-5P & 6A & Later
023750E	KN-10031X	CLUTCH PLATE MODULE Includes 6 Bronze Plates and 7 Steel Plates	1	
049700BR	11759	Friction	6	Bronze .060
023751	11758	Steel	7	Flat .060
023031	12640	Gasket - Front	1	
023032	12227	Gasket - Cover	1	SN5M-5P
023034	11083	Gasket - Rear	1	
010320B	16196	Oring	1	
010256B	10280	Oring - Outer	1	
010223A	11352	Oring - Forward & Rear Coupling	2	
010236B	12221	Oring - Reverse Piston	1	
010116B	12222	Oring - Piston	1	
010028A	11769	Oring - Control Valve	1	
010114B	11779	Oring - Relief Valve	1	
010019B	11683	Oring	2	
023425	11791	Metal Clad Seal - Front Pump	1	
023427	2XE-446A	Metal Clad Seal - Rear	1	

MARINE CATALOG

ALTO PRODUCTS CORP.

PARAGON MODELS P21, P31, OW1 (SN5M-P)

ITEM	REFERENCE	DESCRIPTION	USAGE	NOTES
023110	HF-1094	Sealing Ring - Collar	2	
023099	11573	Washer - Seal	1	
023501	11240	Clip	2	
023502	11237	Lock Screw	2	

PARAGON MODELS P32A-P35B, P22-P25, OW2-OW5 (SN5M-5P & 6A & LATER)

ITEM	REFERENCE	DESCRIPTION	USAGE	NOTES
023809	NL	GASKET SET Includes Paper and Rubber Parts Only	1	
023809AB	Z-7988 Z-7603	OVERHAUL KIT Includes Gaskets, Orings, Metal Clad Seals and Sealing Rings	1	Combo Fits SN5M-5P & 6A & Later
023909A	NL	MASTER OVERHAUL KIT Includes Overhaul Kit, Bronze Plates and Steel Plates	1	Combo Fits SN5M-5P & 6A & Later
023750E		CLUTCH PLATE MODULE Includes 6 Bronze Plates, 7 Steel Plates, 2 Clips and 2 Screws	1	
049700BR	11759	Friction	6-8	Bronze .060
023751	11758	Steel	7-9	Flat .060
023031	12640	Gasket - Front	1	
023032	12227	Gasket - Cover	1	SN5M-5P
023032A	12576	Gasket - Cover	1	SN6A & Later
023034	11083	Gasket - Rear	1	
023039	RA20-15A	Gasket - Reduction	1	1.5:1 & 2:1 Only
023040	RB20-15A	Gasket - Reduction	1	2.5:1 & 3:1 Only
023321	13000	Nut - Ouput Shaft Coupling (Fits 4" & 5" couplings)	1	
010256B	10280	Oring - Outer	1	
010223A	11352	Oring - Forward & Rear Coupling	2	
010236B	12221	Oring - Reverse Piston	1	
010116B	12222	Oring - Piston	1	
010028A	11769	Oring - Control Valve	1	
010114B	11779	Oring - Relief Valve	1	
010019B	11683	Oring	2	
023425	11791	Metal Clad Seal - Front Pump	1	
023423	11518	Metal Clad Seal - Coupling	1	
023110	HF-1094	Sealing Ring - Collar	2	
023099	11573	Washer - Seal	1	
023501	11240	Clip	2	
023502	11237	Lock Screw	2	

PARAGON MODELS P34-P35, P42-P45 (SN5M-5P & 6A & LATER)

ITEM	REFERENCE	DESCRIPTION	USAGE	NOTES
023809	NL	GASKET SET Includes Paper and Rubber Parts Only	1	
023809B	Z-7988 Z-7603	OVERHAUL KIT Includes Gaskets, Orings, Metal Clad Seals and Sealing Rings	1	Combo Fits SN5M-5P & 6A & Later
023909	NL	MASTER OVERHAUL KIT Includes Overhaul Kit, Bronze Plates and Steel Plates	1	Combo Fits SN5M-5P & 6A & Later

MARINE CATALOG

ALTO PRODUCTS CORP.

PARAGON MODELS P34-P35, P42-P45 (SN5M-5P & 6A & LATER)

ITEM	REFERENCE	DESCRIPTION	USAGE	NOTES
023750G	KN-10031	CLUTCH PLATE MODULE Includes 8 Bronze Plates, 9 Steel Plates, 2 Clips and 2 Screws	1	
049700BR	11759	Friction	6-8	Bronze .060
023751	11758	Steel	7-9	Flat .060
023031	12640	Gasket - Front	1	
023032	12227	Gasket - Cover	1	SN5M-5P
023032A	12576	Gasket - Cover	1	SN6A & Later
023034	11083	Gasket - Rear	1	
023039	RA20-15A	Gasket - Reduction	1	1.5:1 & 2:1 Only
023040	RB20-15A	Gasket - Reduction	1	2.5:1 & 3:1 Only
023321	13000	Nut - Ouput Shaft Coupling (Fits 4" & 5" couplings)	1	
010256B	10280	Oring - Outer	1	
010223A	11352	Oring - Forward & Rear Coupling	2	
010236B	12221	Oring - Reverse Piston	1	
010116B	12222	Oring - Piston	1	
010028A	11769	Oring - Control Valve	1	
010114B	11779	Oring - Relief Valve	1	
010019B	11683	Oring	2	
023425	11791	Metal Clad Seal - Front Pump	1	
023423	11518	Metal Clad Seal - Coupling	1	
023110	HF-1094	Sealing Ring - Collar	2	
023099	11573	Washer - Seal	1	
023501	11240	Clip	2	
023502	11237	Lock Screw	2	

PARAGON MODEL P41 (SN5M-5P & 6A & LATER)

ITEM	REFERENCE	DESCRIPTION	USAGE	NOTES
023809EB	Z-7802 Z-7987	OVERHAUL KIT Includes Gaskets, Orings, Metal Clad Seals & Sealing Rings	1	Combo Fits SN5M-5P & 6A & Later
023909E	NL	MASTER OVERHAUL KIT Includes Overhaul Kit, Bronze Plates and Steel Plates	1	SN5M-5P
023909F	NL	MASTER OVERHAUL KIT Includes Overhaul Kit, Bronze Plates and Steel Plates	1	SN6A & Later
023750J	NL	CLUTCH PLATE MODULE Includes 7 Bronze Plates, 8 Steel Plates, 2 Clips and 2 Screws	1	
049700BR	11759	Friction	7-8	Bronze .060
023751	11758	Steel	8-9	Flat .060
023031	12640	Gasket - Front	1	
023032	12227	Gasket - Cover	1	SN5M-5P
023032A	12576	Gasket - Cover	1	SN6A & Later
023036	P11397	Gasket - Reverse-Gear Ring	1	
023321	13000	Nut - Ouput Shaft Coupling (Fits 4" & 5" couplings)	1	
010256B	10280	Oring - Outer	1	
010223A	11352	Oring - Forward & Rear Coupling	2	
010236B	12221	Oring - Reverse Piston	1	
010116B	12222	Oring - Piston	1	
010028A	11769	Oring - Control Valve	1	
010114B	11779	Oring - Relief Valve	1	
010019B	11683	Oring	2	

MARINE CATALOG

ALTO PRODUCTS CORP.

PARAGON MODEL P41 (SN5M-5P & 6A & LATER)

ITEM	REFERENCE	DESCRIPTION	USAGE	NOTES
023425	11791	Metal Clad Seal - Front Pump	1	
023426	RB446	Metal Clad Seal - Coupling	1	
023110	HF-1094	Sealing Ring - Collar	2	
023099	11573	Washer - Seal	1	
023501	11240	Clip	2	
023502	11237	Lock Screw	2	

PARAGON MODEL P200, 300, 400

ITEM	REFERENCE	DESCRIPTION	USAGE	NOTES
049700BR	11759	Friction Forward	6-8	Bronze .060
023751	11758	Steel Forward	7-9	Flat .060

PARAGON MODEL HF7 (Direct Drive)

ITEM	REFERENCE	DESCRIPTION	USAGE	NOTES
023809EB	Z-7802 Z-7987	OVERHAUL KIT Includes Gaskets, Orings, Metal Clad Seals & Sealing Rings	1	Combo Fits SN5M-5P & 6A & Later
023909E	NL	MASTER OVERHAUL KIT Includes Overhaul Kit, Bronze Plates and Steel Plates	1	SN5M-5P
023909F	NL	MASTER OVERHAUL KIT Includes Overhaul Kit, Bronze Plates and Steel Plates	1	SN6A & Later
023750J	NL	CLUTCH PLATE MODULE Includes 7 Bronze Plates, 8 Steel Plates, 2 Clips and 2 Screws	1	
049700BR	11759	Friction	7-8	Bronze .060
023751	11758	Steel	8-9	Flat .060
023031	12640	Gasket - Front	1	
023032	12227	Gasket - Cover	1	SN5M-5P
023032A	12576	Gasket - Cover	1	SN6A & Later
023036	P11397	Gasket - Reverse-Gear Ring	1	
023321	13000	Nut - Ouput Shaft Coupling (Fits 4" & 5" couplings)	1	
010256B	10280	Oring - Outer	1	
010223A	11352	Oring - Forward & Rear Coupling	2	
010236B	12221	Oring - Reverse Piston	1	
010116B	12222	Oring - Piston	1	
010028A	11769	Oring - Control Valve	1	
010114B	11779	Oring - Relief Valve	1	
010019B	11683	Oring	2	
023425	11791	Metal Clad Seal - Front Pump	1	
023426	RB446	Metal Clad Seal - Coupling	1	
023110	HF-1094	Sealing Ring - Collar	2	
023099	11573	Washer - Seal	1	
023501	11240	Clip	2	
023502	11237	Lock Screw	2	

PARAGON MODEL HJ7

ITEM	REFERENCE	DESCRIPTION	USAGE	NOTES
023809BB	Z-7401	OVERHAUL KIT Includes Gaskets, Orings, Metal Clad Seals & Sealing Rings	1	

MARINE CATALOG

ALTO PRODUCTS CORP.

PARAGON MODEL HJ7

ITEM	REFERENCE	DESCRIPTION	USAGE	NOTES
023911	NL	MASTER OVERHAUL KIT Includes Overhaul Kit, Bronze Plates and Steel Plates	1	
023750J	NL	CLUTCH PLATE MODULE Includes 7 Bronze Plates, 8 Steel Plates, 2 Clips and 2 Screws	1	
049700BR	11759	Friction	7	Bronze .060
023751	11758	Steel	8	Flat .060
023031	Z-12640	Gasket - Front Housing	1	
023037	Y-11767	Gasket - Cover Housing	1	
023321	13000	Nut - Output Shaft Coupling (Fits 4" & 5" couplings)	1	
010019B	X-11683	Oring	1	
010028A	X-11769	Oring - Control Valve	1	
010114B	X-11779	Oring - Relief Valve	1	
010148B	X-11777	Oring	1	
010223A	X-11352	Oring - Coupling	1	
010256B	X-10280	Oring - Outer	1	
023425	X-11791	Metal Clad Seal - Front	1	
023426	RB446	Metal Clad Seal - Rear	1	
023096	X-11726	Washer - Seal	1	
023097	11176	Washer - Seal	6	
023098	11353	Washer - Seal	6	
023099	11573	Washer - Seal Detent	1	
023110	HF-1094	Sealing Ring - Oil Dist.	2	
023501	112409	Clip	2	
023502	11237	Lock Screw	2	

MERCUISER II-TR, S

ITEM	REFERENCE	DESCRIPTION	USAGE	NOTES
049700-216	C9AP-7B164SEL B-62691A1-KIT	Friction Forward	1	Fiber .0876
023701	C8AZ-7B442A B-62691A1-KIT	Steel Forward	4	Flat .068
049700	E0AZ-7B164A C9AZ-7B164A B6AZ-7B164R B5AZ-7B164B 3193139 3186574	Friction		Tan PL .061
049700BR	5C-A66A B5AZ-7B164A B6AZ-7B164A	Friction		Bronze .061
049700BR235	NL	Friction		Bronze .093
023738BR	72-A66B	Friction		Bronze .115
023739	72-176	Steel		Flat
023358	809910	Oil Pan for Stern Drive		Black 12mm Plug Thread without Baffle

CAPITOL HYDRASMOOTH

ITEM	REFERENCE	DESCRIPTION	USAGE	NOTES
087700	17-80032	Friction Direct Small	9	Fiber .072
087701	17-80029	Steel Direct Small	AR	Flat .071
087711	17-80029	Steel Direct Small	AR	Flat .061
087702	17-80031	Friction Reverse Large	5	Fiber .092

MARINE CATALOG

ALTO PRODUCTS CORP.

CAPITOL MARINE

HY400, 6900, HY7700, 24000, 25000

ITEM	REFERENCE	DESCRIPTION	USAGE	NOTES
305700	1-00230-4900	Friction	12-14	Bronze .155
305701	1-00233-1200	Steel	12-14	Flat .091

5HD-200, HE 10200, 10700, 11200, 11720

ITEM	REFERENCE	DESCRIPTION	USAGE	NOTES
305702	1-00230-2000	Friction	12-14	Bronze .135
305703	1-00233-0070	Steel	12-14	Flat .095
305703-390	1-00229-1700	Steel	1	Flat .155

M105, 125

ITEM	REFERENCE	DESCRIPTION	USAGE	NOTES
305704	1-14186-0000	Friction	12	Bronze .125
305705	1-14185-0000	Steel	12	Flat .065

TWIN DISC MG-502

ITEM	REFERENCE	DESCRIPTION	USAGE	NOTES
332701	B3337	Steel Forward/Reverse	18	52 Teeth Flat .051
332700	B3336A	Friction Forward/Reverse	16	79 Teeth Bronze .085

TWIN DISC MG-506

ITEM	REFERENCE	DESCRIPTION	USAGE	NOTES
332703	204097	Steel Forward/Reverse	18	42 Teeth Flat .061
332702	B3060B	Friction Forward/Reverse	16	Bronze .085

TWIN DISC MG-509-512

ITEM	REFERENCE	DESCRIPTION	USAGE	NOTES
332705-200	4720762	Steel Forward/Reverse - MG-509 Only 2.mm	14	45 Teeth Flat .079
332704	A-4480A,B,M P-4251A,B,C	Friction Forward/Reverse - MG-509 & MG-512	14	Bronze .112

TWIN DISC MG-514A, B, C

ITEM	REFERENCE	DESCRIPTION	USAGE	NOTES
332709	A-6567E	Steel MG-514A, MG-514B - Late		Step .091
332709	A-6567E	Steel MG-514C		Step .091
332706	A-6566E	Friction - All Models	14	Bronze .122

TWIN DISC (Various)

ITEM	REFERENCE	DESCRIPTION	USAGE	NOTES
332708	206177M	Friction		
332711-228	215736	Steel - MG-518		Flat .090
332712	206106X	Friction - MG-518		Grn WF .125
332502UP26	B3073C	Drive Block, Rubber - Large (Pack of 26 Pcs.)	26	
332503UP26	A3905E	Drive Block, Rubber - Small (Pack of 26 Pcs.)	26	

MARINE CATALOG

ALTO PRODUCTS CORP.

HURTH MARINE HBW 5, 50, 100

ITEM	REFERENCE	DESCRIPTION	USAGE	NOTES
316801B	500427	GASKET SET Includes Paper and Rubber Parts Only	1	
316901	500437	MASTER OVERHAUL KIT Includes Overhaul Kit, Bronze Plates and Steel Plates	1	
316750	NL	CLUTCH PLATE MODULE Includes 8 Bronze Plates, 6 Steel Plates	1	
316700	288757	Friction	8	Bronze .063
316701	288758	Steel	6	Flat .056
316003	288739	Gasket	4	
316005	254716	Gasket - Shift Cover	1	
316410	106864	Metal Seal - Lever	1	OD: 26mm ID: 20mm
316401	280135	Metal Seal	1	OD: 37mm ID: 27mm
316402	105153	Metal Seal	1	OD: 45mm ID: 32mm
2000950	105524	Oring - Shift Shaft HBW-50	1	
2401230	105679	Oring - Intermediate Shaft HBW-100	1	
316187-396	288748	Thrust Washer (OE Design)	2	
316645		Shim Kit - Bearing (Contains 1 Each Shim)	1	

HURTH MARINE HBW 10, 150

ITEM	REFERENCE	DESCRIPTION	USAGE	NOTES
316803B	500428	GASKET SET Includes Gaskets, Orings and Metal Clad Seals	1	
316903	500438	MASTER OVERHAUL KIT Includes Overhaul Kit, Bronze Plates and Steel Plates	1	
316903A	NL	MASTER OVERHAUL KIT - LATE Includes Overhaul Kit, Bronze Plates and Steel Plates	1	
316750A	NL	CLUTCH PLATE MODULE Includes 8 Bronze Plates, 6 Steel Plates	1	
316750E	NL	CLUTCH PLATE MODULE - LATE Includes 8 Bronze Plates, 8 Steel Plates	1	
316702	288912	Friction	8	Bronze .063
316703	187872	Steel	6	Flat .056
316703-100	NL	Steel - Thin	8	Flat .039
316002	254715	Gasket	4	
316005	254716	Gasket - Shift Cover	1	
316410	106864	Metal Clad Seal - Lever	1	OD: 26mm ID: 20mm
316403	215875	Metal Clad Seal - Front	1	OD: 52mm ID: 30mm
316404	105159	Metal Clad Seal - Rear	1	OD: 52mm ID: 40mm
3001400	105530	Oring - Intermediate Shaft HBW 150	1	
316188	344787	Thrust Washer	2	

HURTH MARINE HBW 150V

ITEM	REFERENCE	DESCRIPTION	USAGE	NOTES
316803VB	500429	GASKET SET Includes Gaskets, Orings, Metal Clad Seals, Sealing Rings	1	
316903V	500439	MASTER OVERHAUL KIT Includes Overhaul Kit, Bronze Plates and Steel Plates	1	
316903VA	NL	MASTER OVERHAUL KIT - LATE Includes Overhaul Kit, Bronze Plates and Steel Plates	1	
316750A	NL	CLUTCH PLATE MODULE Includes 8 Bronze Plates, 6 Steel Plates	1	
316750E	NL	CLUTCH PLATE MODULE - LATE Includes 8 Bronze Plates, 8 Steel Plates	1	
316702	288912	Friction	8	Bronze .063

HURTH MARINE HBW 150V

ITEM	REFERENCE	DESCRIPTION	USAGE	NOTES
316703	187872	Steel	6	Flat .056
316703-100	NL	Steel - Thin	8	Flat .039
316002	254715	Gasket	2	
316005	254716	Gasket - Shift Cover	1	
316410	106864	Metal Clad Seal - Lever	1	OD: 26mm ID: 20mm
316403	215875	Metal Clad Seal - Front	1	OD: 52mm ID: 30mm
316406	401647	Metal Clad Seal - Rear	2	OD: 90mm ID: 65mm
A10030B	105590	Oring	1	
A10029A	291618	Oring	2	

HURTH MARINE HBW 20, 220, 250

ITEM	REFERENCE	DESCRIPTION	USAGE	NOTES
316805B	500430	OVERHAUL KIT Includes Gaskets, Orings, Metal Clad Seals, Sealing Rings	1	
316905	500440	MASTER OVERHAUL KIT Includes Overhaul Kit, Bronze Plates and Steel Plates	1	
316750B	NL	CLUTCH PLATE MODULE Includes 10 Bronze Plates, 8 Steel Plates	1	
316704	288889	Friction	10	Bronze .063
316705	206026	Steel	8	Flat .056
316001	274251	Gasket	4	
316410	106864	Metal Clad Seal - Lever	1	OD: 26mm ID: 20mm
316404	105159	Metal Clad Seal	1	OD: 52mm ID: 40mm
316405	284260	Metal Clad Seal	1	OD: 90mm ID: 65mm
316189	327395 277109	Oring	1	

HURTH MARINE Damper Assemblies

ITEM	REFERENCE	DESCRIPTION	USAGE	NOTES
DA-301	947-77-601-02 254750	121.5mm X 100mm 10/23/29 Teeth DIN 5464, 10 Teeth 45 Degree x 8	1	
DA-302	947-44-601-03 254762	152mm x 123mm 10/23/29 Teeth DIN 5464 w/DOWEL PIN HOLES 45 Degree x 8	1	
DA-303	288240	157mm X 123mm 10/23/29 Teeth DIN 5464, 10 Teeth 72 Degree x 5	1	
DA-304	1866-061-002	6 3/16" x 1 11/32" Diameter, 5 bolt holes, 6 springs, 26 teeth	1	
DA-305	1866-052-002	5.962/151.44 Diameter, 1-1/4" Diameter (spline) 8 Bolt Holes, 6 Springs, 26 Teeth (5.59"/142mm from center to center of bolt holes)	1	

HURTH MARINE HSW 800 SERIES (Reduction) & V DRIVE

ITEM	REFERENCE	DESCRIPTION	USAGE	NOTES
316807CB	NA	OVERHAUL KIT - (800 REDUCTION) Includes Gaskets, Orings, Metal Clad Seals, Sealing Rings	1	
316807BB	NL	OVERHAUL KIT - (V DRIVE) Includes Gaskets, Orings, Metal Clad Seals, Sealing Rings	1	
316907A	500435	MASTER OVERHAUL KIT - (800 REDUCTION) Includes Overhaul Kit, Bronze Plates and Steel Plates	1	
316907AV	NL	MASTER OVERHAUL KIT - (V DRIVE) Includes Overhaul Kit, Bronze Plates and Steel Plates	1	

HURTH MARINE HSW 800 SERIES (Reduction) & V DRIVE

ITEM	REFERENCE	DESCRIPTION	USAGE	NOTES
316750D	NL	CLUTCH PLATE MODULE - (800 REDUCTION AND V DRIVE) Includes 10 Bronze Plates and 12 Steel Plates	1	
316708	97827315013 455-786, 813319	Friction	10	Bronze .079
316709	97827314013 455-787, 813320	Steel	12	Wave .067
316004	27-813301 408-388	Gasket - Shift Cover	1	
316405	26-813286 413-883	Metal Clad Seal - Input	1	OD: 52mm ID: 35mm
316407A	634319104	Metal Clad Seal - Output - REDUCTION	1	OD: 95mm ID: 73mm
316408A	105-113	Seal - Output V DRIVE	1	105 X 130 X 12
316409A	480-762	Seal - Output V DRIVE	1	80 X 100 X 10
316940A	438337	Filter	1	
FK316940	463772	Filter Kit - Includes Filter & 2 Orings		
010614A	25-813406 105-542	Oring - Inner Filter Cover	1	
A10046A	25-813407 442-731	Oring - Outer Filter Cover	1	
A10137B	25-813329 105-571	Oring - Output Flange	1	
010611A	NL	Oring - Control Valve	2	
316102	53-813312 447-038	Sealing Ring - Shaft	3	

HURTH MARINE HSW 630 (Hydraulic) & 630 V DRIVE

ITEM	REFERENCE	DESCRIPTION	USAGE	NOTES
316807B	NL	OVERHAUL KIT - (630 HYDRAULIC) Includes Gaskets, Orings, Metal Clad Seals & Sealing Rings	1	
316807AB	500-423	OVERHAUL KIT - (630 V DRIVE) Includes Gaskets, Orings, Metal Clad Seals & Sealing Rings	1	
316907	NL	MASTER OVERHAUL KIT - (630 HYDRAULIC) Includes Overhaul Kit, Bronze Plates and Steel Plates	1	
316907V	NL	MASTER OVERHAUL KIT - (630 V DRIVE) Includes Overhaul Kit, Bronze Plates and Steel Plates	1	
316750C	NL	CLUTCH PLATE MODULE - (630 HYD & 630 V DRIVE) Includes 8 Bronze Plates and 10 Steel Plates	1	
316708	97827315013 455-786 813319	Friction	8	Bronze 2.0mm / .079 OD: 134mm / 5.27 36 Teeth
316709	97827314013 455-787 813320	Steel	10	Wave 1.77mm / .067 ID: 96.5mm / 3.8
316004	27-813301 408-388	Gasket - Shift Cover	1	
316405	26-813286 413883	Metal Clad Seal - Input	1	OD: 52mm ID: 35mm
316407	26-813292 442-135	Metal Clad Seal - Output	1	OD: 72mm ID: 55mm
316940A	438337	Filter	1	
FK316940	463772	Filter Kit - Includes Filter & 2 Orings	1	
010614A	25-813406 105-542	Oring - Inner Filter Cover	1	

HURTH MARINE HSW 630 (Hydraulic) & 630 V DRIVE

ITEM	REFERENCE	DESCRIPTION	USAGE	NOTES
A10046A	25-813407 442-731	Oring - Outer Filter Cover	1	
A10137B	25-813329 105571	Oring - Output Flange	1	
010611A	101-101	Oring - Control Valve	2	
316102	53-813312 447-038	Sealing Ring - Shaft	3	
316408	444-070	Seal - Output V DRIVE	1	85 x 110 x 12
316409	444-071	Seal - Output V DRIVE	1	65 x 85 x 12

HURTH MARINE HSW 450A-2

ITEM	REFERENCE	DESCRIPTION	USAGE	NOTES
315800	NL	OVERHAUL KIT Includes Gaskets, Orings, Metal Clad Seals & Sealing Rings	1	
315900	NL	MASTER OVERHAUL KIT Includes Overhaul Kit, Bronze Plates and Steel Plates	1	
315750	NL	CLUTCH PLATE MODULE Includes 8 Bronze Plates, 10 Steel Plates	1	
315700BR	489120	Friction	8	Bronze 1.7mm / .066 OD: 110mm / 4.325 27 Teeth
315701	489119	Steel	10	Wave 1.5mm / .059 ID: 85mm / 3.335 6 Teeth
316004	408388	Gasket - Control Block	1	
315401	374056	Metal Clad Seal - Output Shaft	1	45 x 62 x 8
315402	500065	Metal Clad Seal - Dist. Shaft	1	30 x 43 x 8/9.5
316405	413883	Metal Clad Seal - Input Shaft	1	52 x 35 x 8
1581181	105559	Oring - Output Shaft	1	
316940A	438337	Filter	1	
FK316940	463772	Filter Kit - Includes Filter & 2 Orings	1	

HURTH MARINE / ZF IRM 220, 220A

ITEM	REFERENCE	DESCRIPTION	USAGE	NOTES
316711	3201302008	Steel		
322800	3205199501	OVERHAUL KIT Includes Gaskets, Orings, Metal Clad Seals & Sealing Rings	1	
322700-220	3205302057	Friction Forward & Reverse	22	Bronze .087
322702-180	NL	Friction	1	
322750X	NL	Module	1	
322901	NL	Master Kit	1	
322701-140	3205302062	Steel Forward & Reverse	24	
322100	0634402538 03380100	Ring, Sealing Lock	4	
322400	0634319110	Metal Clad Seal - Input	1	
322402	063400069	Metal Clad Seal - Output	1	

MARINE COUPLINGS VELVET DRIVE ®

ITEM	REFERENCE	DESCRIPTION	USAGE	NOTES
023323	4547AY	Coupling 5 - MODEL 10-18 Only	1	
023324	4547BA	Coupling 4 - MODEL 10-17 Only	1	
023327	1000-031-001	Coupling - Current Reduction	1	Fine Spline
023328	4912	Coupling - Early Reduction	1	Fine Spline
023543-075	4BX-A	Coupling Shaft VD71/72 4" X .75 Bore		
023543-087	4BX-AA	Coupling Shaft VD 71/72 4" X .875 Bore		
023543-125	4865DD 4BX-D	Coupling Shaft VD 71/72 4" X 1.25 Bore		
023559-125	4886D 5AX-D	Coupling Shaft VD 71/72 5" X 1.25 Bore		
023559-137	NA	Coupling Shaft VD71/72 5" X 1.375 Bore		
023559-150	NA	Coupling Shaft VD71/72 5" X 1.50 Bore		

MARINE DAMPER ASSEMBLIES VELVET DRIVE ®

ITEM	REFERENCE	DESCRIPTION	USAGE	NOTES
DA-101	1004-650-001	13" x 7/8" Diameter, 8 bolt, 10 springs, 26 Teeth		
DA-101A	1004-650-005	15" X 1 1/4" Diameter, 14 bolt holes, 10 springs, 26 Teeth		
DA-102	1004-650-002 AS4-K1C BBD3108UL	6.18" OD, 1.353 Spline, Red spring, 26 Teeth		
DA-103	1004-650-003	8.0" OD, 1.35 Spline (8 Equally Spaced Holes), 26 Teeth		
DA-106	1004-650-006 AS4-K2C BBD0107UL	6.66" RAD (Triangle), 1.353 Spline, Red spring, 26 Teeth		
DA-106A	120-8-1446	6.66" RAD Same as DA-106 except w/Cut Off Rounded Ears, 26 Teeth		
DA-107	1004-650-007 AS7-K2C BBD3131UL	13.25" OD Fits Engines up to 430 C.U. 1.353 spline, Purple spring, 26 Teeth		
DA-108	1004-650-008 BBD3132UL	13.25: OD Fits Engines up to 370 C.U., White spring, 26 Teeth		

VOLVO PENTA

ITEM	REFERENCE	DESCRIPTION	USAGE	NOTES
DA-302	2301-650-001	152mm x 123mm 10/23/29 Teeth DIN 5464 with Dowel Pin Holes, 45 degree x 8		
DA-203	841894-9 1866-026-131	MD21, MD32 ENG. 287mm x 133mm, 26 Teeth		
DA-204	841892-3 1866-039-001	MD21/RB ENG 267mm x 123mm, 10 Teeth		
DA-206	855389-3 1866-032-231	B21, B21 ENG, 26 Teeth		

HURTH MARINE

ITEM	REFERENCE	DESCRIPTION	USAGE	NOTES
DA-301	947-77-601-02 254750 1866-050-002	121.5mm X 100mm 10/23/29 Teeth DIN 5464, 10 Teeth		
DA-302	947-44-601-03 254762 1866-052-001	152mm x 123mm 10/23/29 Teeth DIN 5464 w/DOWEL PIN HOLES, 10 Teeth		

MARINE CATALOG

ALTO PRODUCTS CORP.

MARINE DAMPER ASSEMBLIES HURTH MARINE

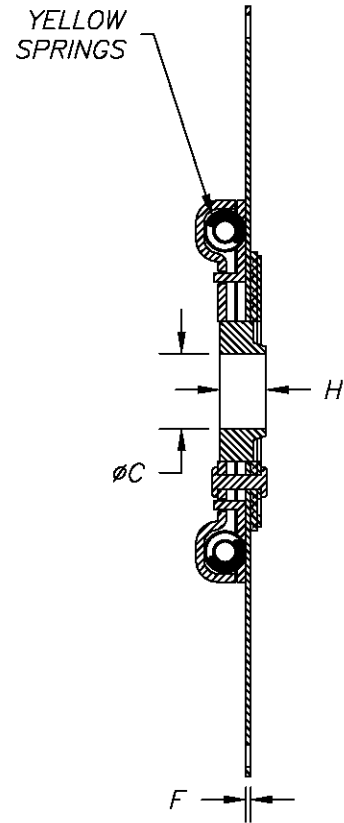
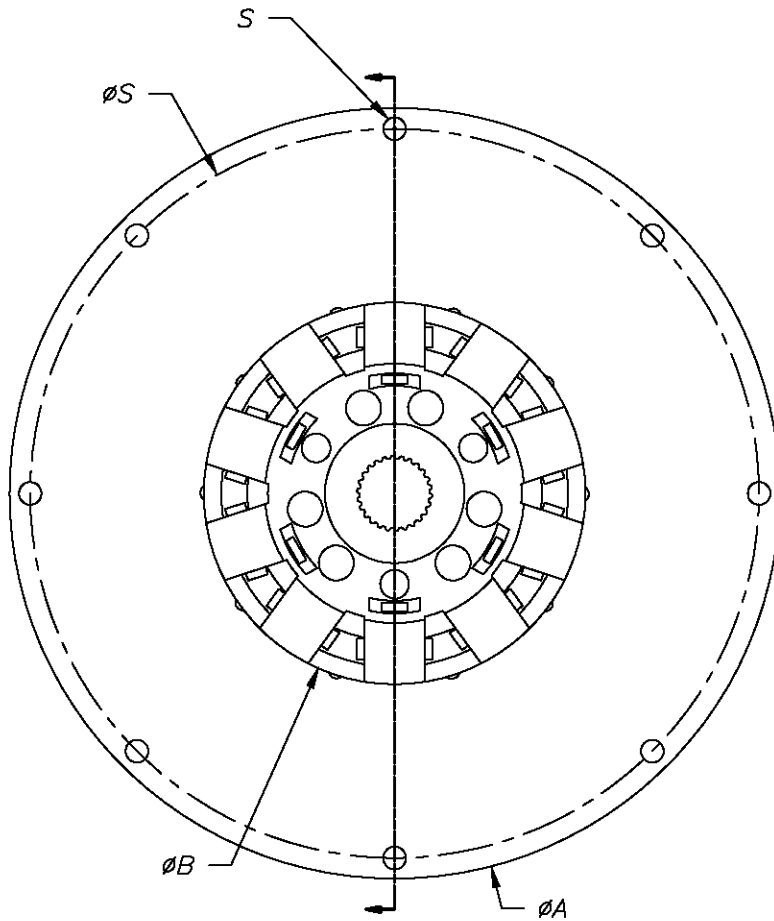
ITEM	REFERENCE	DESCRIPTION	USAGE	NOTES
DA-303	288240 1866-061-001	157mm X 123mm 10/23/29 Teeth DIN 5464, 10 Teeth		
DA-304	1866-061-002	6 3/16" x 1 11/32" Diameter, 5 bolt holes, 6 springs, 26 teeth		
DA-305	1866-052-002	5.962/151.44 Diameter, 1-1/4" Diameter (spline) 8 Bolt Holes, 6 Springs, 26 Teeth (5.59"/142mm from center to center of bolt holes)		

MARINE TURBOCHARGER JCB

ITEM	REFERENCE	DESCRIPTION	USAGE	NOTES
ATH027-1001	3523299E	Turbocharger - Perkins T6.354.4	1	

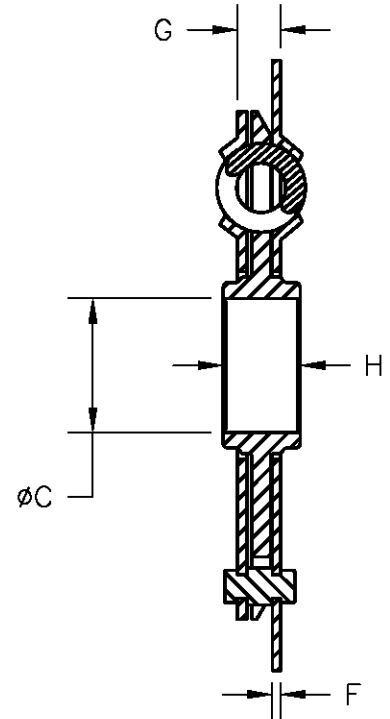
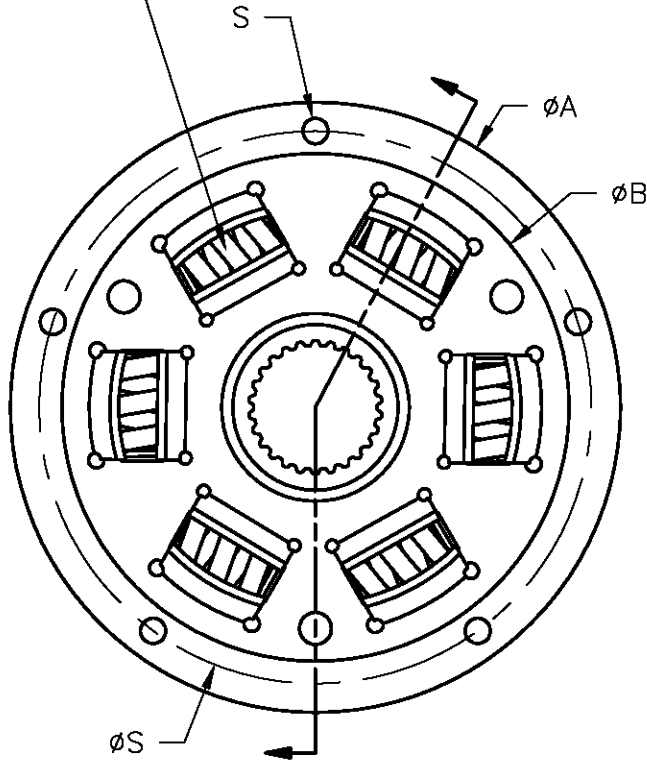
VOLVO

ITEM	REFERENCE	DESCRIPTION	USAGE	NOTES
ATSC01-1001	20500295	Turbocharger - Marine/Excavator	1	



DAMPER INFORMATION						THCK G:	APPLICATION		
TEETH: 26		TORQUE: 350 ft lb 474.536 Nm			THCK H:	DAMPER			
DIA A: 13.87 [362.30]		HOLE 0.406 [10.31]	HOLE N/A DIA X: N/A	HOLE N/A CEN. V: N/A	THCK F: 0.840 [21.34]				NOTES: OEM # 1004-650-001
DIA B: 6.872 [174.55]		HOLE N/A DIA T: N/A	HOLE N/A DIA Y: N/A	HOLE N/A CEN. W: N/A	OAT: N/A N/A	SCALE: NONE		DRAWN BY: JMS	CHECKED BY: CDH
DIA C: 1.353 [34.37]		HOLE N/A DIA U: N/A	HOLE 13.123 CEN. S: [333.32]	HOLE N/A CEN. X: N/A	ALTO PRODUCTS CORP.		PART NUMBER		
DIA D: N/A		HOLE N/A DIA V: N/A	HOLE N/A CEN. T: N/A	HOLE N/A CEN. Y: N/A	One Alto Way Atmore, AL 36502-1088 PH: (251)-368-7777 FAX: (251)-368-7774 www.AltoUSA.com		DA-101		
DIA E: N/A		HOLE N/A DIA W: N/A	HOLE N/A CEN. U: N/A	THCK F: 0.084 [2.13]	MADE IN USA		REV: IR		

ORANGE
SPRING



DAMPER INFORMATION

THCK G: 0.440
[11.18]

APPLICATION
DAMPER

TEETH: 26

TORQUE: 332 ft lb
450.131 Nm

THCK H: 0.780
[19.81]

NOTES:

OEM # 1004-650-002
OEM # AS4-K1C

DIA A: 6.18 [156.97]	HOLE DIA S: 0.258 [8.55]	HOLE DIA X: N/A	HOLE DIA Y: N/A	HOLE DIA Z: N/A	HOLE DIA W: N/A
DIA B: 5.145 [130.68]	HOLE DIA T: N/A	HOLE DIA Y: N/A	HOLE DIA X: N/A	HOLE DIA Z: N/A	HOLE DIA W: N/A
DIA C: 1.35 [34.29]	HOLE DIA U: N/A	HOLE DIA S: 5.595 [142.11]	HOLE DIA X: N/A	HOLE DIA Z: N/A	HOLE DIA W: N/A
DIA D: N/A	HOLE DIA V: N/A	HOLE DIA T: N/A	HOLE DIA Y: N/A	HOLE DIA X: N/A	HOLE DIA Z: N/A
DIA E: N/A	HOLE DIA W: N/A	HOLE DIA U: N/A	HOLE DIA X: N/A	HOLE DIA Y: N/A	THCK F: 0.083 [2.11]

OAT: 0.865
[21.97]

SCALE: NONE

DRAWN BY:

JMS

CHECKED BY:

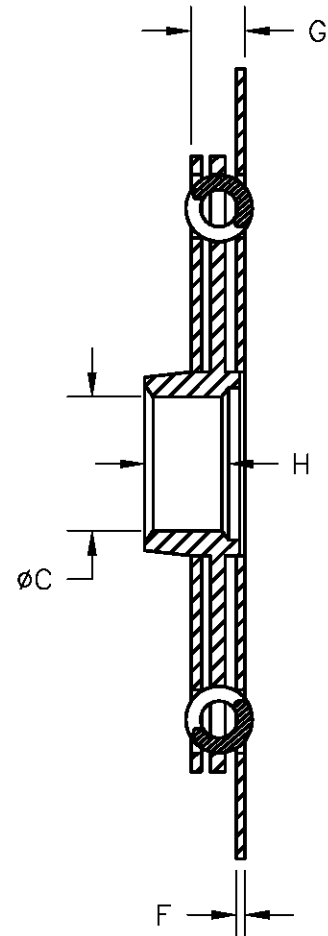
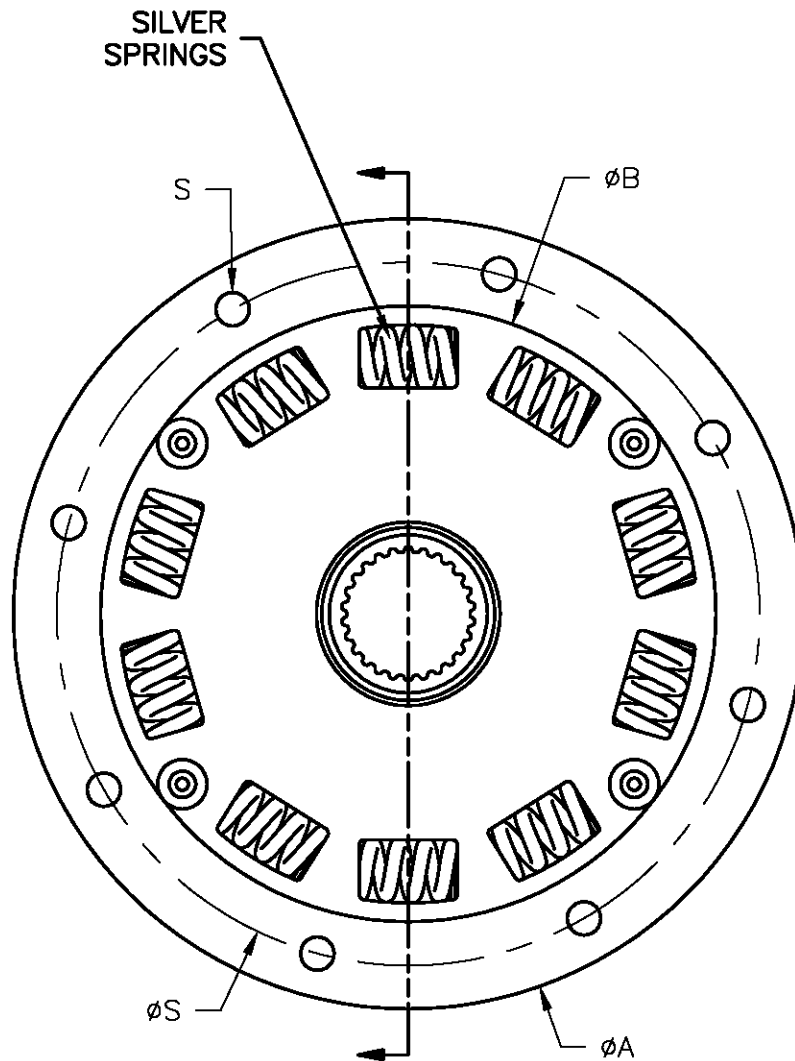
CDH

ALTO PRODUCTS CORP.
One Alto Way
Atmore, AL 36504
PH: (251)-368-7777
FAX: (251)-368-7774
www.AltoUSA.com

PART NUMBER

DA-102

REV: IR



DAMPER INFORMATION

THCK G: 0.540
[13.72]
THCK H: 0.780
[19.81]
OAT: 1.160
[29.46]

APPLICATION DAMPER

NOTES:
OEM # 1004-650-003

SCALE: NONE

DRAWN BY:

JMS

CHECKED BY:

CDH

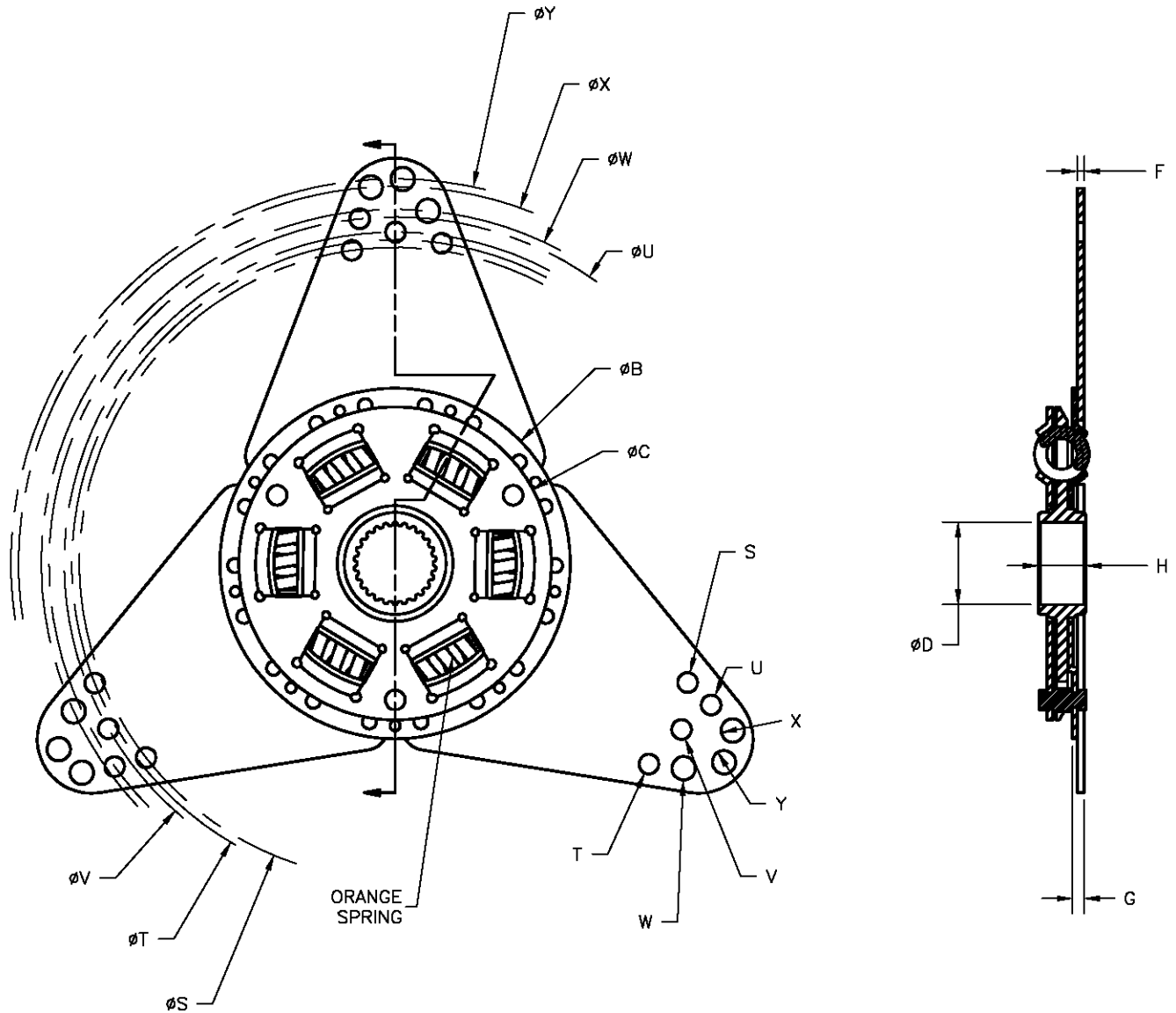
TEETH: 26		TORQUE: 350 ft lb 474.536 Nm			
DIA A: 8.000 [203.20]	HOLE DIA S: 0.340 [8.64]	HOLE DIA X: N/A	HOLE DIA Y: N/A	HOLE DIA Z: N/A	HOLE DIA W: N/A
DIA B: 6.235 [158.37]	HOLE DIA T: N/A	HOLE DIA X: N/A	HOLE DIA Y: N/A	HOLE DIA Z: N/A	HOLE DIA W: N/A
DIA C: 1.35 [34.29]	HOLE DIA U: N/A	HOLE DIA S: 7.121 [180.87]	HOLE DIA X: N/A	HOLE DIA Y: N/A	HOLE DIA Z: N/A
DIA D: N/A	HOLE DIA V: N/A	HOLE DIA X: N/A	HOLE DIA Y: N/A	HOLE DIA Z: N/A	HOLE DIA W: N/A
DIA E: N/A	HOLE DIA W: N/A	HOLE DIA X: N/A	HOLE DIA Y: N/A	HOLE DIA Z: N/A	THCK F: 0.083 [2.11]

ALTO PRODUCTS CORP.
One Alto Way
Atmore, AL 36504
PH: (251)-368-7777
FAX: (251)-368-7774
www.AltoUSA.com

PART NUMBER

DA-103

REV: IR



DAMPER INFORMATION

TEETH: 26		TORQUE: 332 ft lb 450.131 Nm		THCK G: 0.193 [4.90]
DIA A: N/A	HOLE 0.326	HOLE 0.387	HOLE 10.875	THCK H: 0.800 [20.32]
N/A	DIA S: [8.28]	DIA X: [9.83]	CEN. V: [276.23]	OAT: 0.975 [24.77]
DIA B: 5.755	HOLE 0.326	HOLE 0.387	HOLE 11.625	SCALE: NONE
[146.18]	DIA T: [8.28]	DIA Y: [9.83]	CEN. W: [295.28]	
DIA C: 5.140	HOLE 0.326	HOLE 10.375	HOLE 12.375	
[130.56]	DIA U: [8.28]	CEN. S: [263.53]	CEN. X: [314.33]	
DIA D: 1.353	HOLE 0.326	HOLE 10.625	HOLE 12.625	
[34.37]	DIA V: [8.28]	CEN. T: [269.88]	CEN. Y: [320.68]	
DIA E: N/A	HOLE 0.387	HOLE 11.375	THCK F: 0.113	
N/A	DIA W: [9.83]	CEN. U: [288.93]	[2.87]	

APPLICATION DAMPER

NOTES:
OEM # 1004-650-006
OEM # AS4-K2C

DRAWN BY: **JMS**

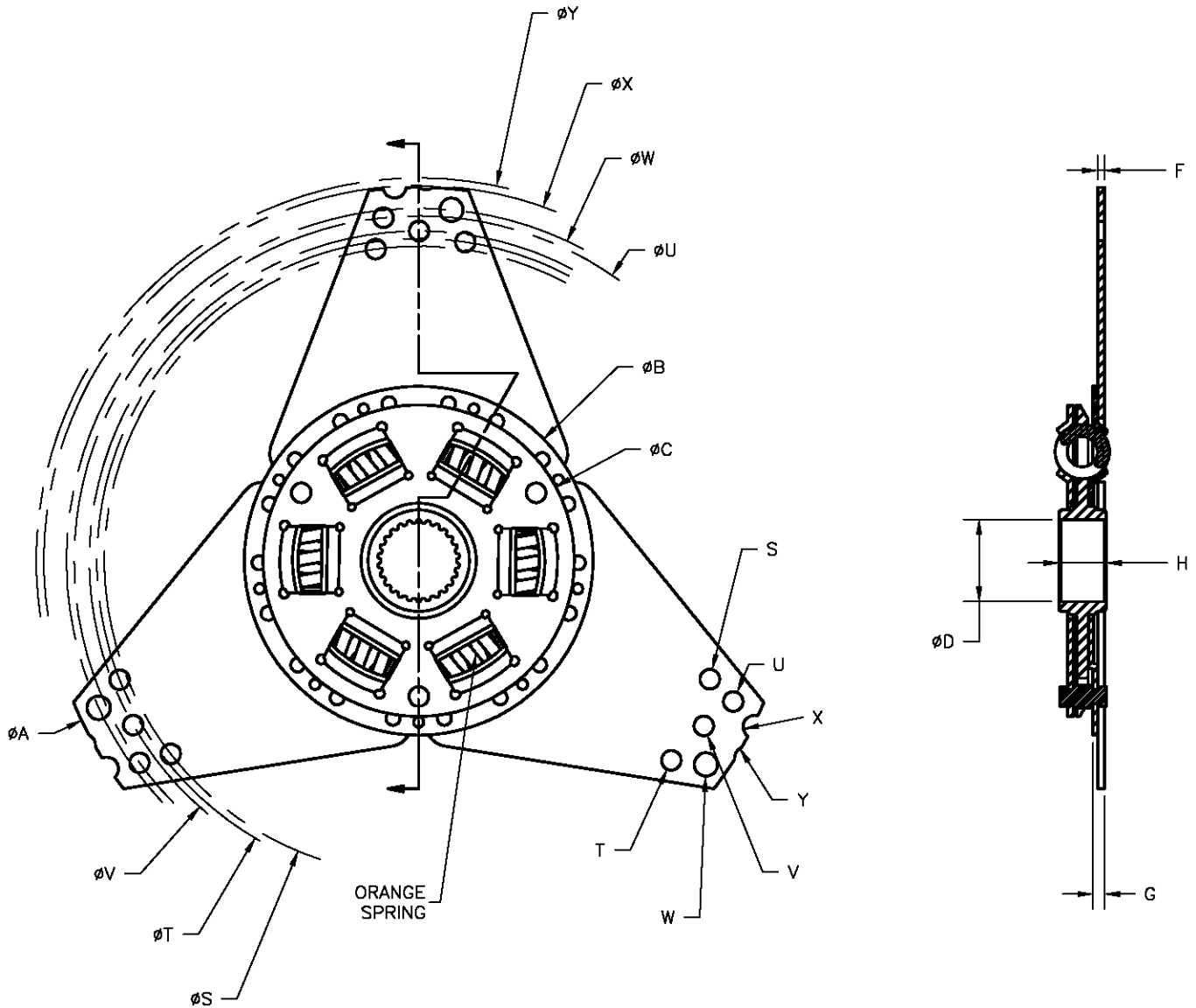
CHECKED BY: **CDH**



PART NUMBER

DA-106

REV: IR



DAMPER INFORMATION

TEETH: 26		TORQUE: 332 ft lb 450.131 Nm		THCK G: 0.193 [4.90]
DIA A: 12.32 [312.93]	HOLE 0.326 DIA S: [8.28]	HOLE 0.387 DIA X: [9.83]	HOLE 10.875 CEN. V: [276.23]	THCK H: 0.800 [20.32]
DIA B: 5.755 [146.18]	HOLE 0.326 DIA T: [8.28]	HOLE 0.387 DIA Y: [9.83]	HOLE 11.625 CEN. W: [295.28]	OAT: 0.975 [24.77]
DIA C: 5.140 [130.56]	HOLE 0.326 DIA U: [8.28]	HOLE 10.375 CEN. S: [263.53]	HOLE 12.375 CEN. X: [314.33]	SCALE: NONE
DIA D: 1.353 [34.37]	HOLE 0.326 DIA V: [8.28]	HOLE 10.625 CEN. T: [269.88]	HOLE 12.625 CEN. Y: [320.68]	
DIA E: N/A	HOLE 0.387 DIA W: [9.83]	HOLE 11.375 CEN. U: [288.93]	THCK F: 0.113 [2.87]	

APPLICATION DAMPER

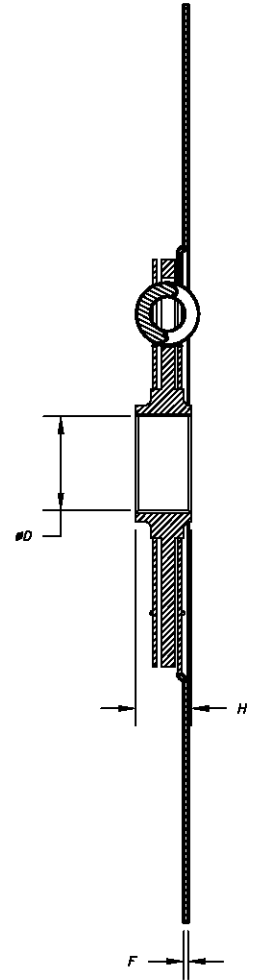
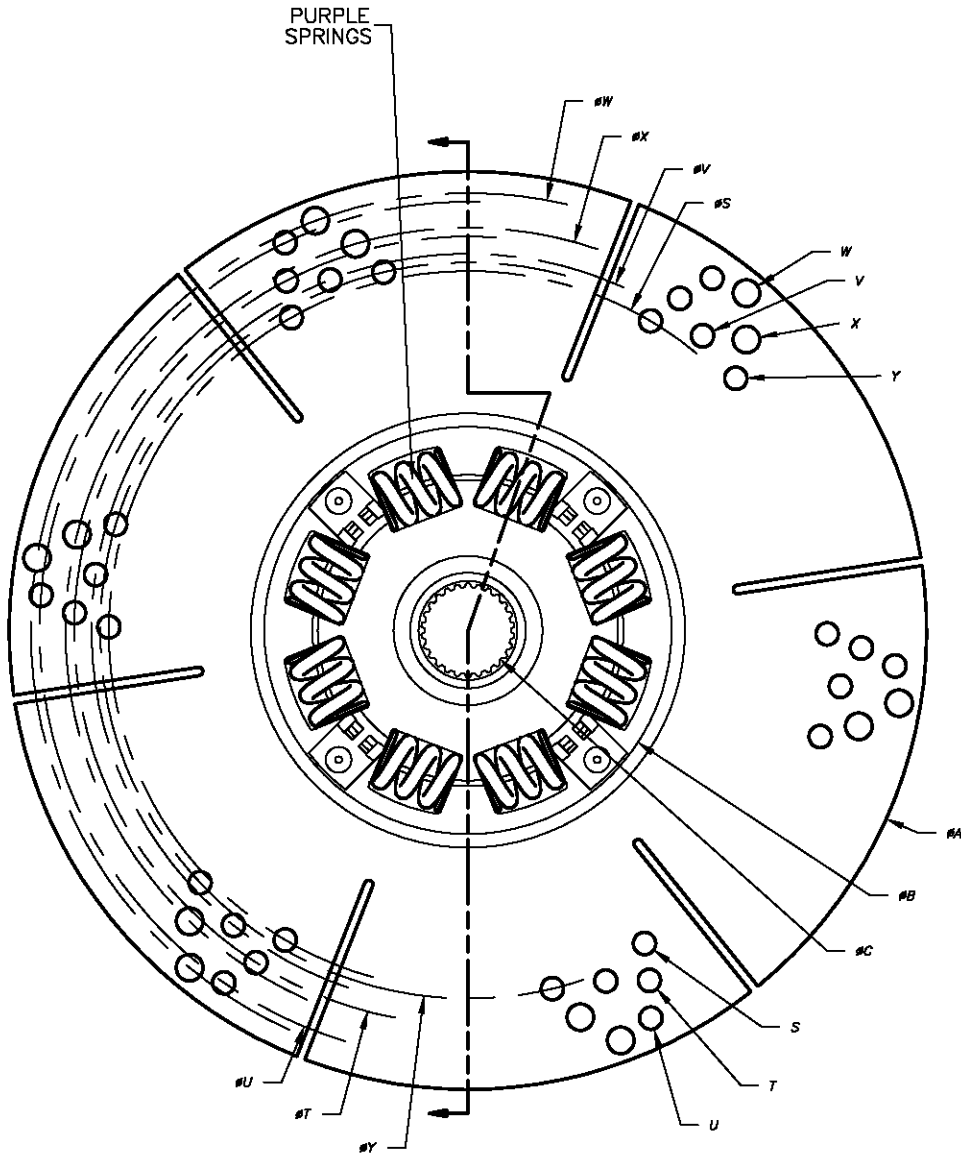
NOTES:
OEM # 120-8-1446
OEM # AS8-K2C

DRAWN BY: **JMS**

CHECKED BY: **CDH**



PART NUMBER
DA-106A
REV: IR



DAMPER INFORMATION

THCK G: N/A
N/A
THCK H: 0.800
[20.32]
OAT: 0.800
[20.32]
SCALE: NONE

APPLICATION DAMPER

NOTES:
OEM # 1004-650-007
OEM # AS7-K2C

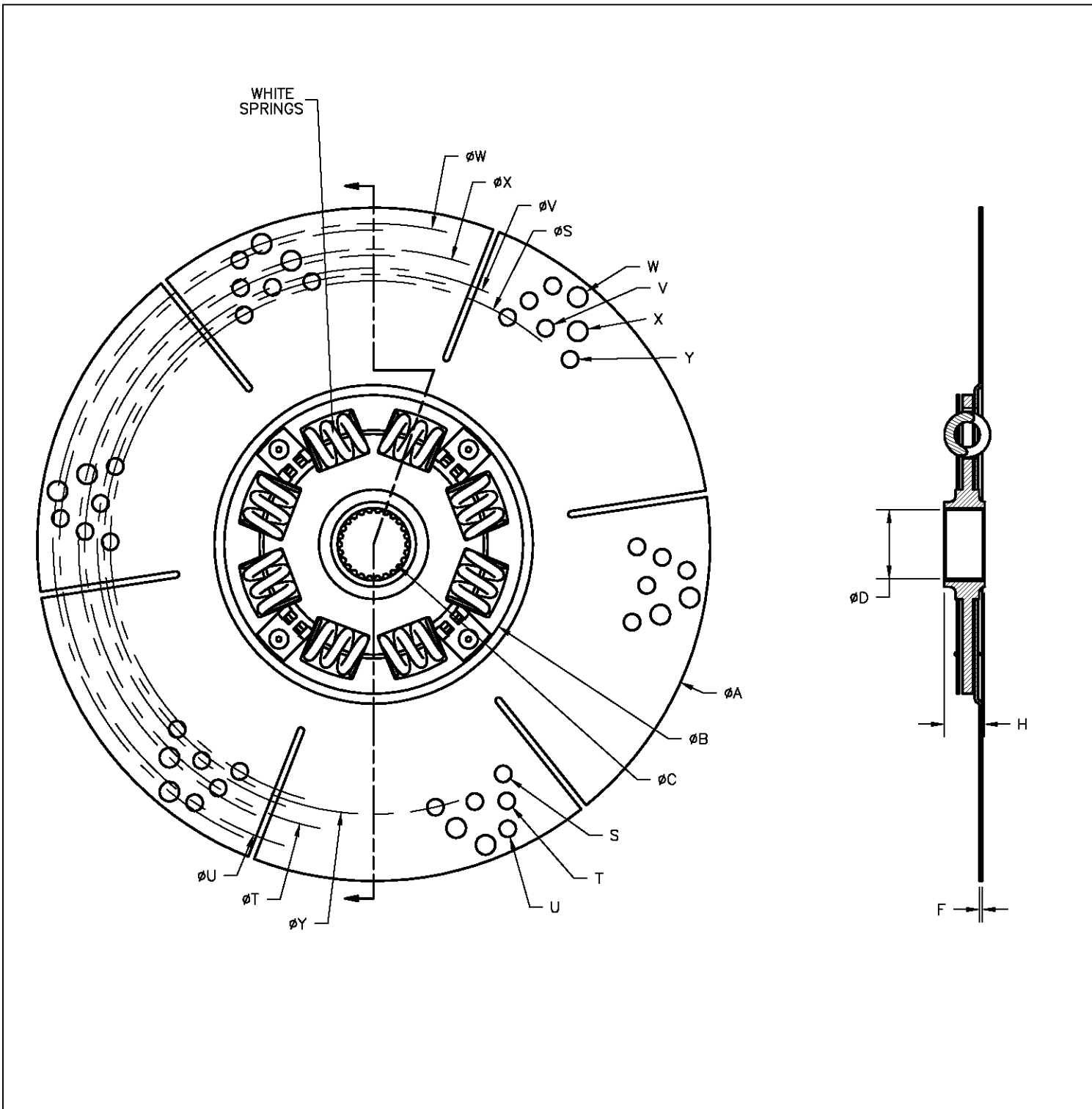
DRAWN BY: **JMS**

CHECKED BY: **CDH**

TEETH:	26		TORQUE: 450 ft lb 610.118 Nm				
DIA A:	13.25 [336.55]	HOLE DIA S:	0.325 [8.25]	HOLE DIA X:	0.388 [9.86]	HOLE CEN. V:	10.875 [276.23]
DIA B:	5.880 [149.35]	HOLE DIA T:	0.325 [8.25]	HOLE DIA Y:	0.326 [8.28]	HOLE CEN. W:	12.625 [320.68]
DIA C:	1.251 [31.78]	HOLE DIA U:	0.326 [8.28]	HOLE CEN. S:	10.375 [263.53]	HOLE CEN. X:	11.625 [295.28]
DIA D:	1.353 [34.37]	HOLE DIA V:	0.325 [8.25]	HOLE CEN. T:	11.375 [288.93]	HOLE CEN. Y:	10.625 [269.88]
DIA E:	N/A	HOLE DIA W:	0.388 [9.86]	HOLE CEN. U:	12.375 [314.33]	THCK F:	0.063 [1.60]

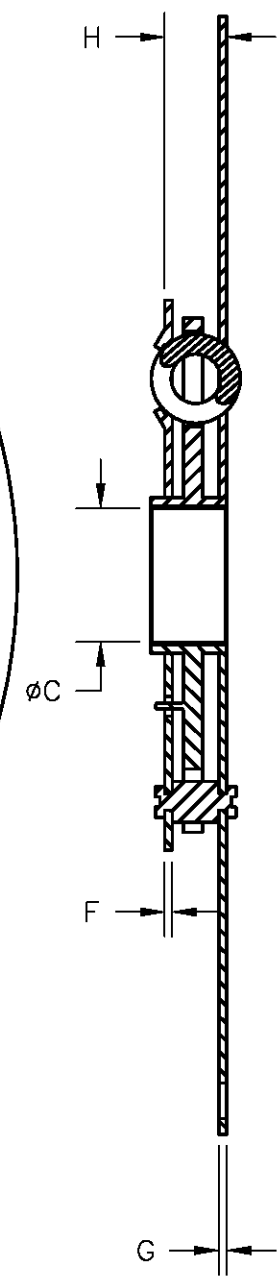
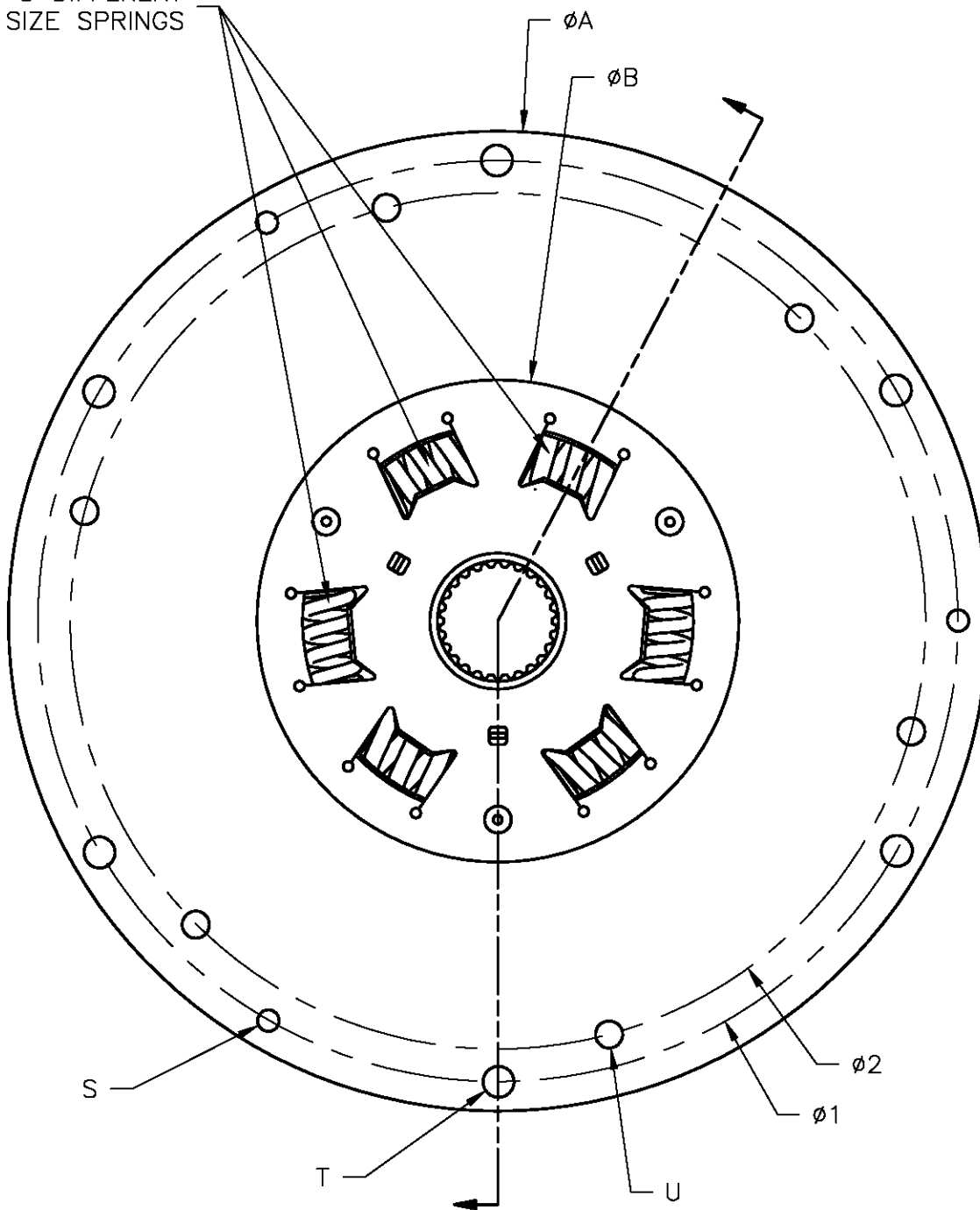
ALTO PRODUCTS CORP.
One Alto Way
Atmore, AL 36504
PH: (251)-368-7777
FAX: (251)-368-7774
www.AltoUSA.com

PART NUMBER
DA-107
REV: IR



DAMPER INFORMATION					THCK G:	APPLICATION	
TEETH: 26		TORQUE: 450 ft lb 610.118 Nm		N/A N/A		DAMPER	
DIA A: 13.24 [336.55]		HOLE 0.322 DIA S: [8.18]		THCK H: 0.800 [20.32]			
DIA B: 5.880 [149.35]		HOLE 0.322 DIA T: [8.18]		OAT: NA NA		NOTES: OEM # 1004-650-008 OEM # AS5-K2C	
DIA C: 1.251 [31.78]		HOLE 0.322 DIA U: [8.22]		SCALE: NONE			
DIA D: 1.353 [34.37]		HOLE 0.322 DIA V: [8.18]		DRAWN BY: JMS		CHECKED BY: CDH	
DIA E: N/A		HOLE 0.388 DIA W: [9.86]		ALTO PRODUCTS CORP. One Alto Way Atmore, AL 36504 PH: (251)-368-7777 FAX: (251)-368-7774 www.AltoUSA.com		PART NUMBER DA-108	
		HOLE 0.388 DIA X: [9.86]		MADE IN USA		REV: IR	
		HOLE 10.875 CEN. V: [276.23]					
		HOLE 0.322 DIA Y: [8.18]					
		HOLE 10.375 CEN. S: [263.53]					
		HOLE 11.375 CEN. T: [288.93]					
		HOLE 12.625 CEN. X: [295.28]					
		HOLE 12.375 CEN. U: [314.33]					
		THCK F: 0.063 [1.60]					

3 DIFFERENT
SIZE SPRINGS



DAMPER INFORMATION

TEETH: 26		TORQUE: 313 ft lb 424.371 Nm		THCK G: 0.080 [2.03]
DIA A: 11.315 [287.40]	HOLE 0.250 DIA S: [8.35]	HOLE N/A DIA X: N/A	HOLE N/A CEN. V: N/A	THCK H: 0.630 [16.00]
DIA B: 5.567 [141.40]	HOLE 0.360 DIA T: [9.14]	HOLE N/A DIA Y: N/A	HOLE N/A CEN. W: N/A	OAT: N/A N/A
DIA C: 1.35 [34.29]	HOLE 0.315 DIA U: [8.00]	HOLE 10.635 CEN. 1: [270.13]	HOLE N/A CEN. X: N/A	SCALE: NONE
DIA D: N/A	HOLE N/A DIA V: N/A	HOLE 9.885 CEN. 2: [251.08]	HOLE N/A CEN. Y: N/A	
DIA E: N/A	HOLE N/A DIA W: N/A	HOLE N/A CEN. U: N/A	THCK F: 0.077 [1.96]	

APPLICATION DAMPER

NOTES:
OEM # 1866-018-131
OEM # 841893-1

DRAWN BY: **JMS**

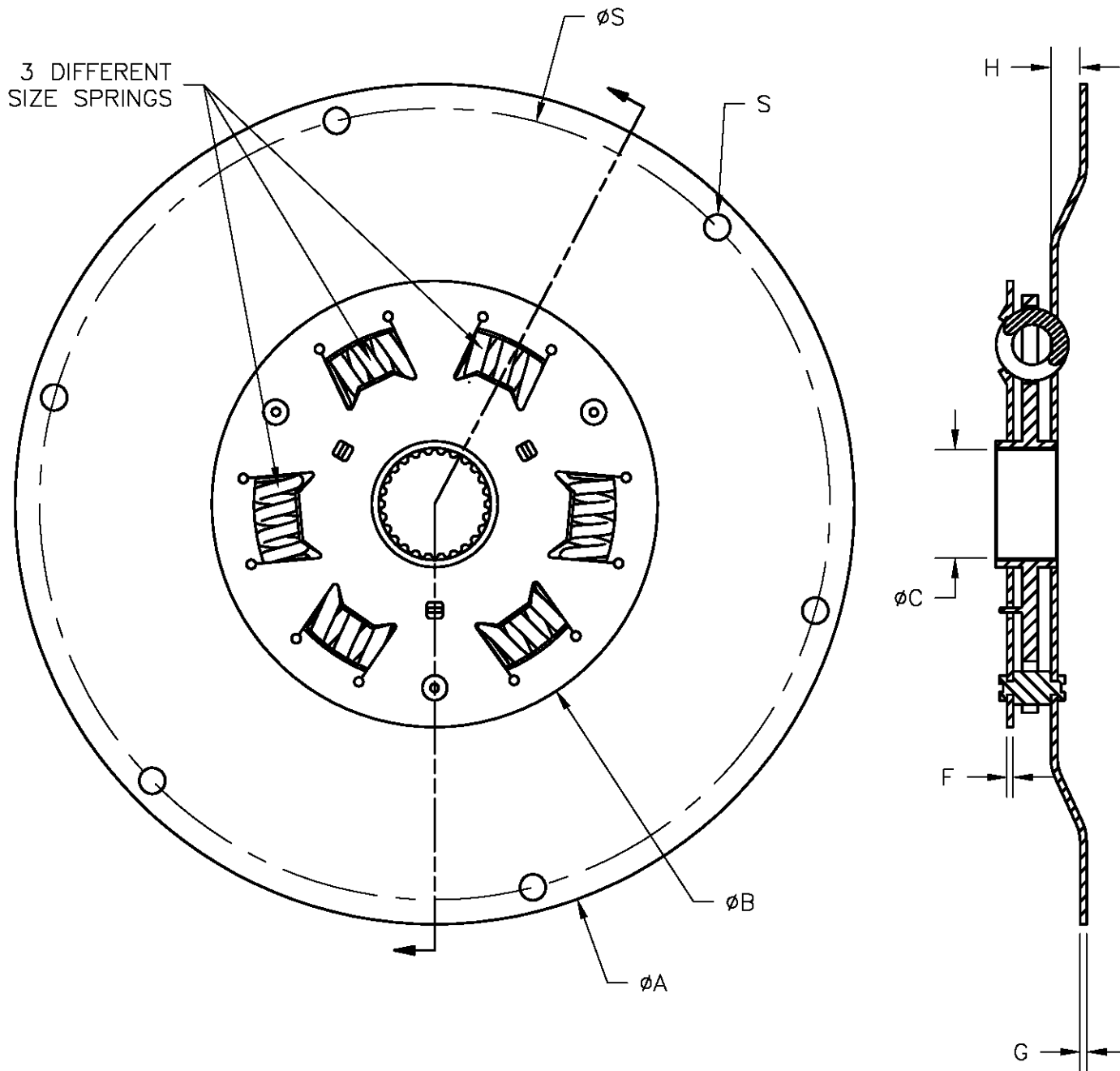
CHECKED BY: **CDH**

ALTO PRODUCTS CORP.
One Alto Way
Atmore, AL 36504
PH: (251)-368-7777
FAX: (251)-368-7774
www.AltoUSA.com

PART NUMBER

DA-201

REV: IR



DAMPER INFORMATION

THCK G: 0.082
[2.08]

THCK H: 0.364
[9.25]

OAT: N/A
N/A

SCALE: NONE

ALTO PRODUCTS CORP.

 One Alto Way
 Atmore, AL 36504
 PH: (251)-368-7777
 FAX: (251)-368-7774
 www.AltoUSA.com

APPLICATION

DAMPER

NOTES:

OEM # 1866-026-131

OEM # 841894-9

DRAWN BY:

JMS

CHECKED BY:

CDH

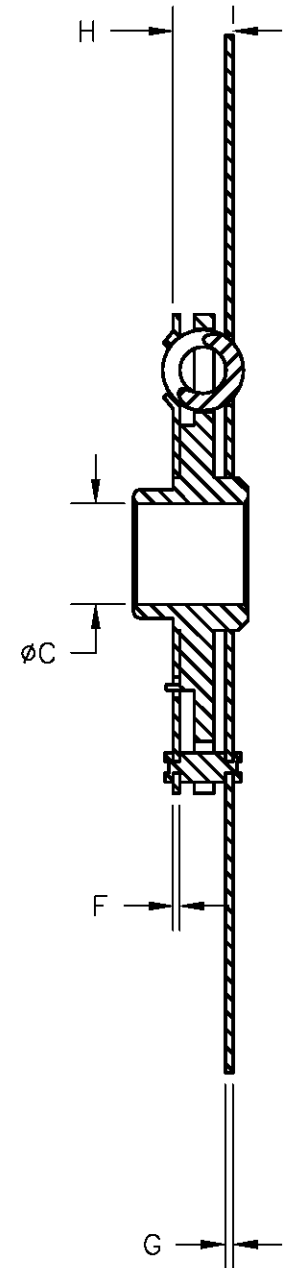
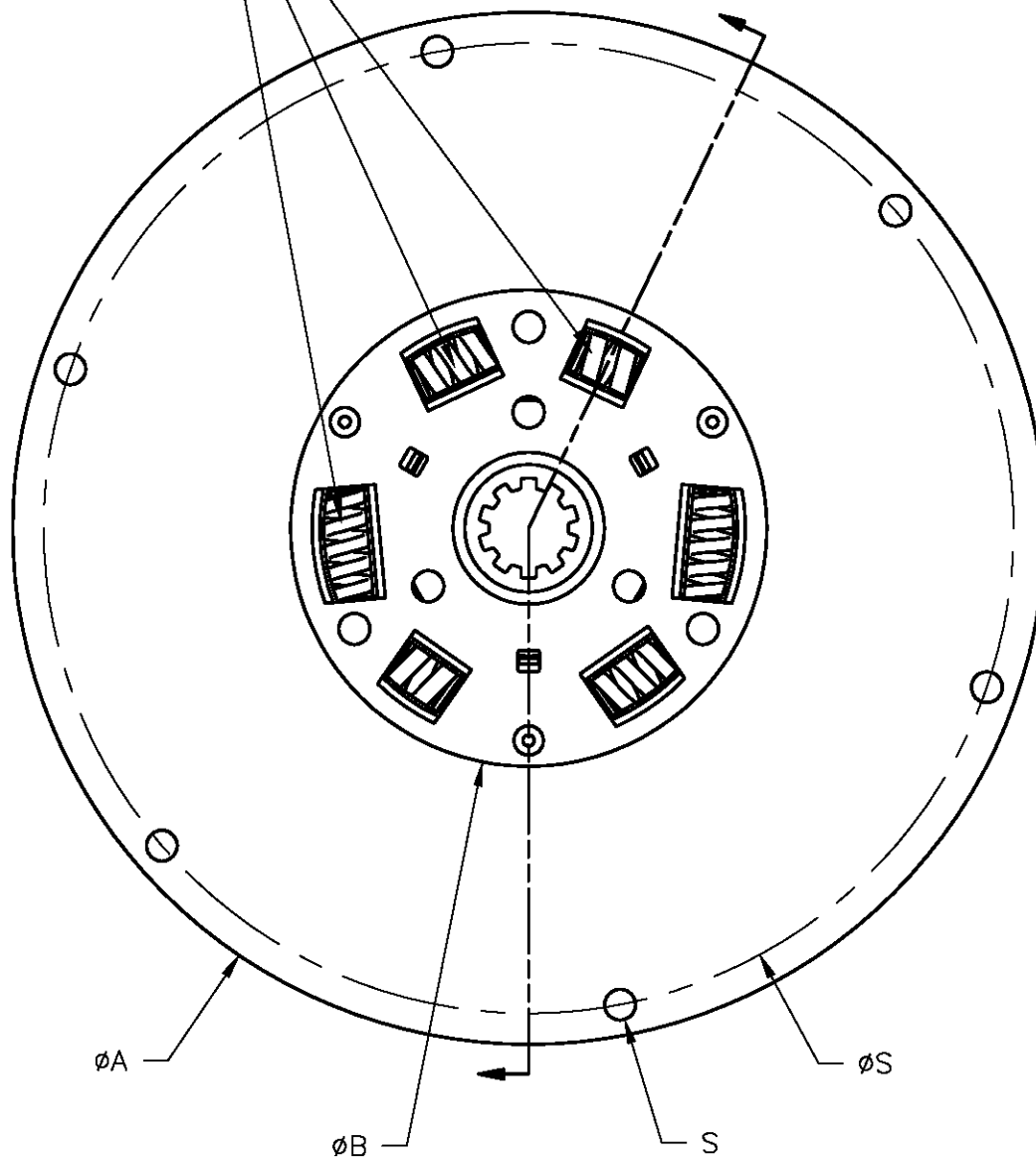
PART NUMBER

DA-203

REV: IR

TEETH:	26		TORQUE: 310 ft lb 420 Nm		
DIA A:	10.485 [266.32]	HOLE DIA S: 0.325 [8.28]	HOLE DIA X: N/A	HOLE DIA Y: N/A	HOLE DIA Z: N/A
DIA B:	5.567 [141.40]	HOLE DIA T: N/A	HOLE DIA Y: N/A	HOLE DIA Z: N/A	HOLE DIA W: N/A
DIA C:	1.35 [34.29]	HOLE DIA U: N/A	HOLE CEN. S: 9.875 [250.83]	HOLE CEN. X: N/A	HOLE CEN. Y: N/A
DIA D:	N/A	HOLE DIA V: N/A	HOLE CEN. T: N/A	HOLE CEN. Y: N/A	HOLE THCK F: 0.077 [1.96]
DIA E:	N/A	HOLE DIA W: N/A	HOLE CEN. U: N/A		

3 DIFFERENT
SIZE SPRINGS



DAMPER INFORMATION

THCK G: 0.078
[1.98]

THCK H: 0.600
[15.24]

OAT: N/A
N/A

SCALE: NONE

ALTO PRODUCTS CORP.
One Alto Way
Atmore, AL 36504
PH: (251)-368-7777
FAX: (251)-368-7774
www.AltoUSA.com
MADE IN USA

APPLICATION DAMPER

NOTES:
OEM # 1866-039-001
OEM # 841892-3

DRAWN BY:

JMS

CHECKED BY:

CDH

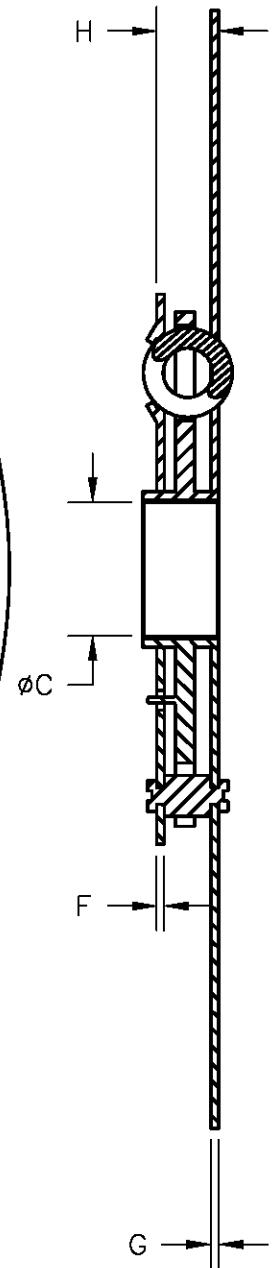
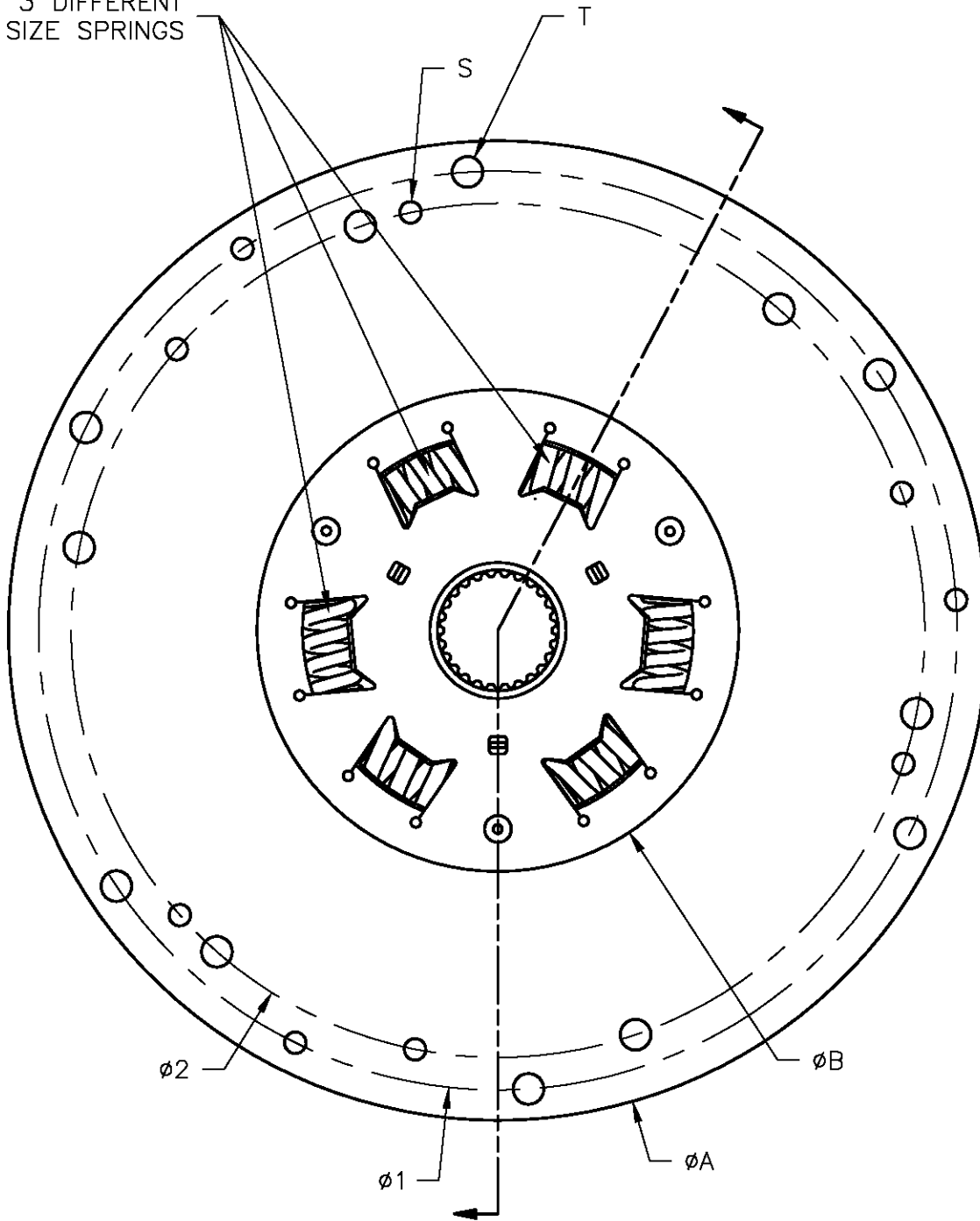
PART NUMBER

DA-204

REV: IR

TEETH: 10		TORQUE: 199 ft lb 270 Nm			
DIA A: 10.505 [266.83]	HOLE DIA S: 0.315 [8.00]	HOLE DIA X: N/A	HOLE DIA Y: N/A	HOLE DIA Z: N/A	HOLE DIA W: N/A
DIA B: 4.848 [123.14]	HOLE DIA T: N/A	HOLE DIA V: N/A	HOLE DIA U: N/A	HOLE DIA R: N/A	HOLE DIA Q: N/A
DIA C: 1.019 [25.88]	HOLE DIA U: N/A	HOLE DIA S: 9.875 [250.83]	HOLE DIA X: N/A	HOLE DIA Y: N/A	HOLE DIA Z: N/A
DIA D: N/A	HOLE DIA V: N/A	HOLE DIA T: N/A	HOLE DIA U: N/A	HOLE DIA R: N/A	HOLE DIA Q: N/A
DIA E: N/A	HOLE DIA W: N/A	HOLE DIA V: N/A	HOLE DIA U: N/A	HOLE DIA R: N/A	HOLE DIA Q: N/A
				THCK F: 0.070 [1.78]	

3 DIFFERENT
SIZE SPRINGS



DAMPER INFORMATION

THCK G: 0.080
[2.03]

THCK H: 0.630
[16.00]

OAT: N/A
N/A

SCALE: NONE

APPLICATION

DAMPER

NOTES:

OEM # 1866-032-231

OEM # 855389-3

DRAWN BY:

JMS

CHECKED BY:

CDH

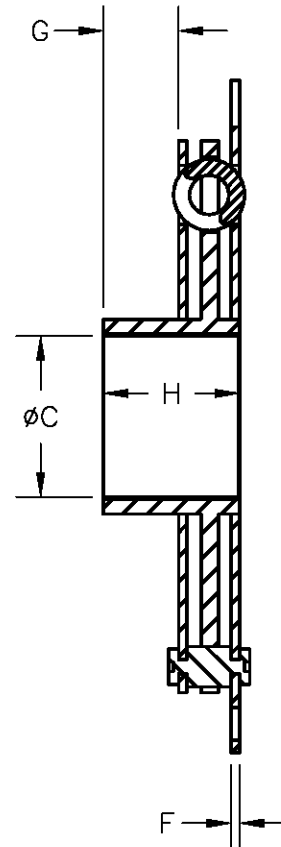
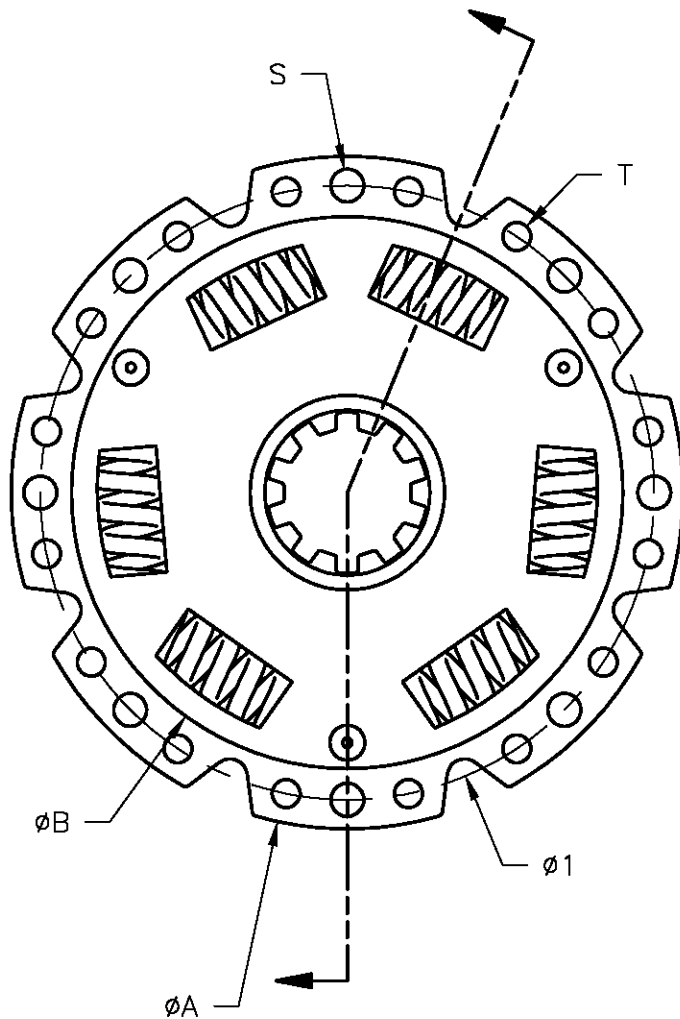
TEETH:	26		TORQUE: 313 ft lb 424.371 Nm	
DIA A:	11.315 [287.40]	HOLE DIA S: 0.250 [6.35]	HOLE DIA X: N/A	HOLE CEN. V: N/A
DIA B:	5.567 [141.40]	HOLE DIA T: 0.356 [9.04]	HOLE DIA Y: N/A	HOLE CEN. W: N/A
DIA C:	1.35 [34.29]	HOLE DIA U: N/A	HOLE CEN. 1: 10.615 [269.62]	HOLE CEN. X: N/A
DIA D:	N/A	HOLE DIA V: N/A	HOLE CEN. 2: 9.865 [250.57]	HOLE CEN. Y: N/A
DIA E:	N/A	HOLE DIA W: N/A	HOLE CEN. U: N/A	THCK F: 0.077 [1.96]

ALTO PRODUCTS CORP.
One Alto Way
Atmore, AL 36504
PH: (251)-368-7777
FAX: (251)-368-7774
www.AltoUSA.com

PART NUMBER

DA-206

REV: IR



DAMPER INFORMATION

THCK G: 0.512 [13.00]
 THCK H: 0.984 [25.00]

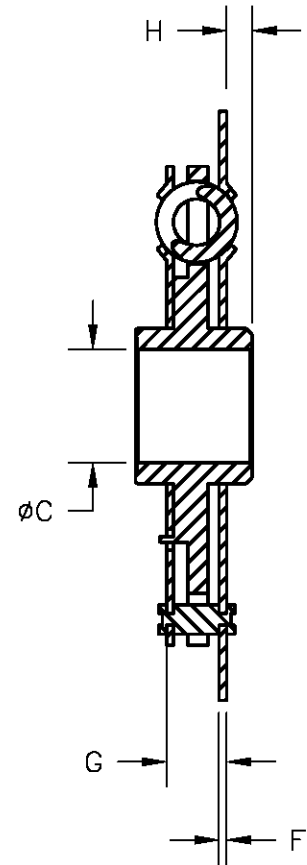
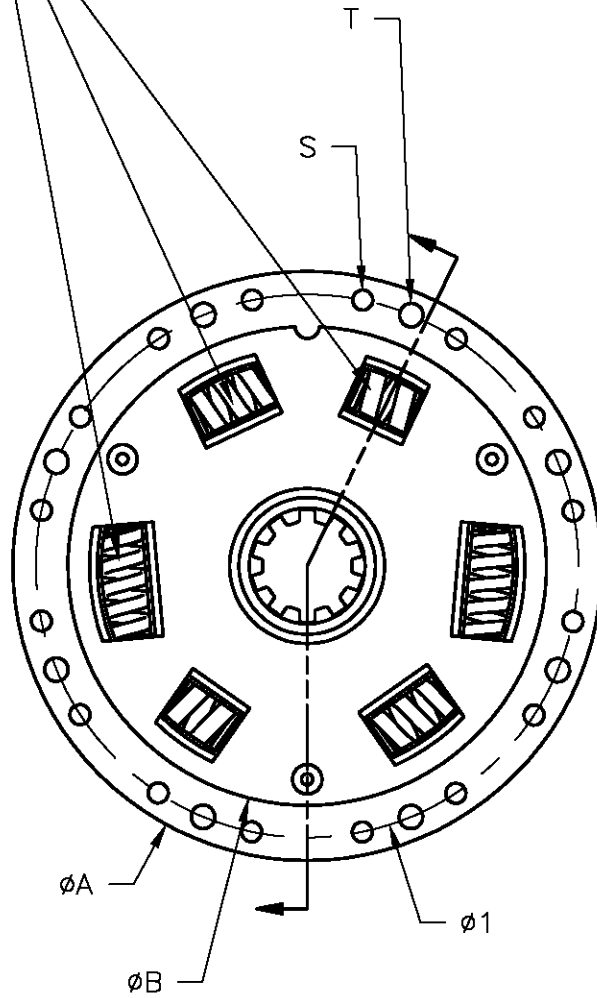
APPLICATION
 DAMPER

TEETH: 10		TORQUE: 121.5 ft lb 164.731 Nm			
DIA A: 4.783 [121.50]	HOLE DIA S: 0.236 [5.99]	HOLE DIA X: N/A	HOLE DIA Y: N/A	HOLE DIA Z: N/A	HOLE DIA W: N/A
DIA B: 3.937 [100.00]	HOLE DIA T: 0.201 [5.11]	HOLE DIA X: N/A	HOLE DIA Y: N/A	HOLE DIA Z: N/A	HOLE DIA W: N/A
DIA C: 1.141 [29.00]	HOLE DIA U: N/A	HOLE DIA X: 4.370 [111.00]	HOLE DIA Y: N/A	HOLE DIA Z: N/A	HOLE DIA W: N/A
DIA D: N/A	HOLE DIA V: N/A	HOLE DIA X: N/A	HOLE DIA Y: N/A	HOLE DIA Z: N/A	HOLE DIA W: N/A
DIA E: N/A	HOLE DIA W: N/A	HOLE DIA X: N/A	HOLE DIA Y: N/A	HOLE DIA Z: N/A	THCK F: 0.060 [1.52]

NOTES:
 OEM # 947-77-601-02
 OEM # 254750
 OEM # 1866-050-002

SCALE: NONE	DRAWN BY: JMS	CHECKED BY: CDH
<p>ALTO PRODUCTS CORP. One Alto Way Atmore, AL 36504 PH: (251)-368-7777 FAX: (251)-368-7774 www.AltoUSA.com</p>	PART NUMBER	
	<p>DA-301 REV: IR</p>	

3 DIFFERENT
SIZE SPRINGS



DAMPER INFORMATION

THCK G: 0.595
[15.11]

APPLICATION

DAMPER

TEETH: 10

TORQUE: 147.5 ft lb
199.983 Nm

THCK H: 0.257
[6.53]

NOTES:

OEM # 947-44-601-03
OEM # 254762
OEM # 1866-052-001

OAT: 1.181
[30.00]

SCALE: NONE

DRAWN BY:

JMS

CHECKED BY:

CDH

DIA A:	5.965 [151.51]	HOLE DIA S:	0.201 [5.11]	HOLE DIA X:	N/A	HOLE CEN. V:	N/A
DIA B:	4.843 [123.00]	HOLE DIA T:	0.236 [5.99]	HOLE DIA Y:	N/A	HOLE CEN. W:	N/A
DIA C:	1.145 [29.08]	HOLE DIA U:	N/A	HOLE CEN. 1:	5.512 [140.00]	HOLE CEN. X:	N/A
DIA D:	N/A	HOLE DIA V:	N/A	HOLE CEN. T:	N/A	HOLE CEN. Y:	N/A
DIA E:	N/A	HOLE DIA W:	N/A	HOLE CEN. U:	N/A	THCK F:	0.079 [2.01]

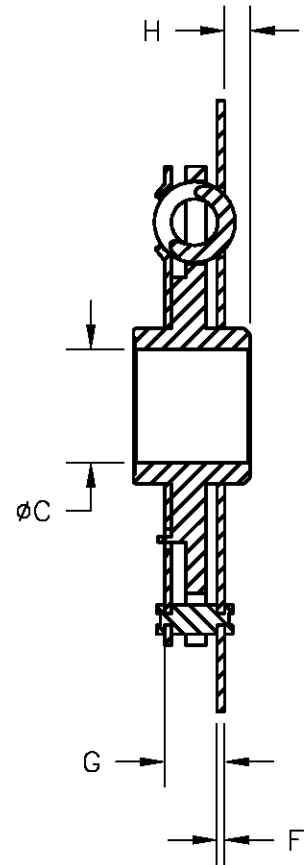
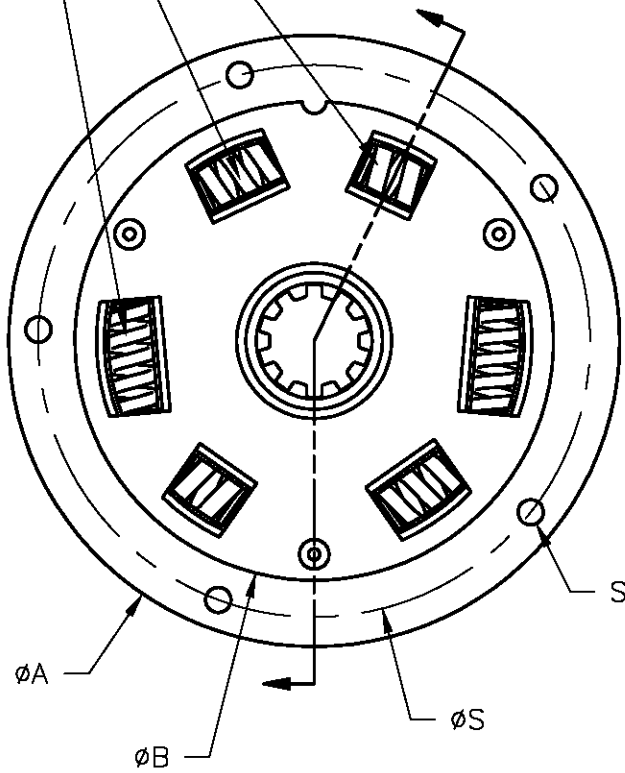
ALTO PRODUCTS CORP.
One Alto Way
Atmore, AL 36504
PH: (251)-368-7777
FAX: (251)-368-7774
www.AltoUSA.com

PART NUMBER

DA-302

REV: IR

3 DIFFERENT
SIZE SPRINGS



DAMPER INFORMATION

THCK G: 0.565
[14.35]

APPLICATION DAMPER

TEETH: 10

TORQUE: 184.2 ft lb
249.741 Nm

THCK H: 0.257
[6.53]

NOTES:
OEM # 288240
OEM # 1866-061-001

DIA A: 6.189 [157.20]	HOLE DIA S: 0.257 [6.53]	HOLE DIA X: N/A	HOLE DIA Y: N/A	HOLE DIA Z: N/A	HOLE DIA W: N/A
DIA B: 4.848 [123.14]	HOLE DIA T: N/A	HOLE DIA X: N/A	HOLE DIA Y: N/A	HOLE DIA Z: N/A	HOLE DIA W: N/A
DIA C: 1.145 [29.08]	HOLE DIA U: N/A	HOLE DIA X: 5.593 [142.06]	HOLE DIA Y: N/A	HOLE DIA Z: N/A	HOLE DIA W: N/A
DIA D: N/A	HOLE DIA V: N/A	HOLE DIA X: N/A	HOLE DIA Y: N/A	HOLE DIA Z: N/A	HOLE DIA W: N/A
DIA E: N/A	HOLE DIA W: N/A	HOLE DIA X: N/A	HOLE DIA Y: N/A	HOLE DIA Z: N/A	THCK F: 0.079 [2.01]

OAT: 1.181
[30.00]

SCALE: NONE

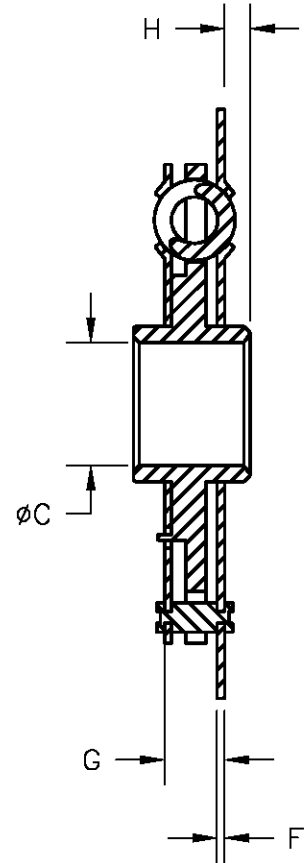
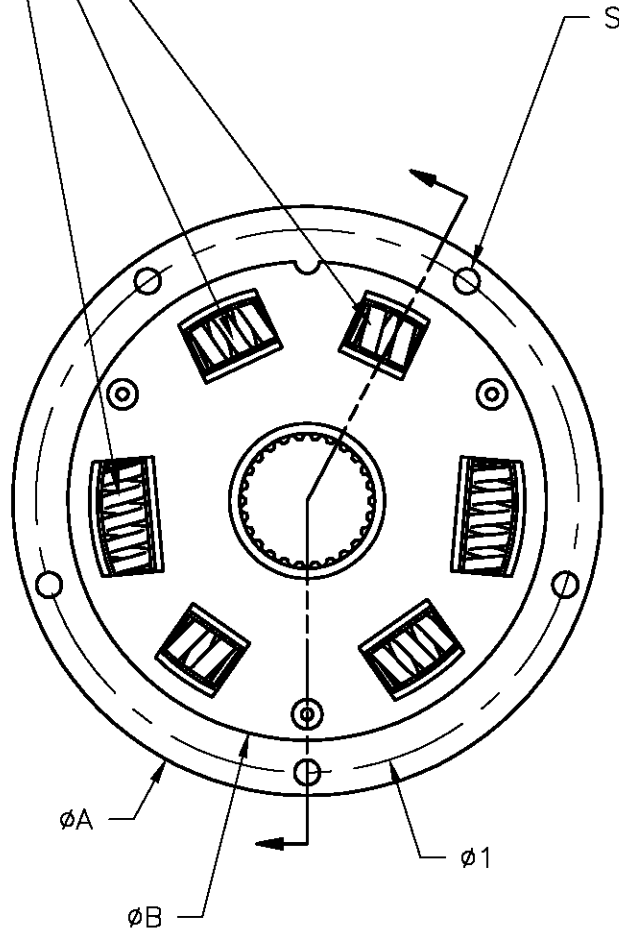
DRAWN BY: **JMS**

CHECKED BY: **CDH**



PART NUMBER
DA-303
REV: IR

3 DIFFERENT
SIZE SPRINGS



DAMPER INFORMATION

THCK G: 0.560
[14.22]

THCK H: 0.260
[6.60]

OAT: 1.175
[29.84]

SCALE: NONE

APPLICATION DAMPER

NOTES:
OEM #1866-061-002

DRAWN BY:

BTB

CHECKED BY:

CDH

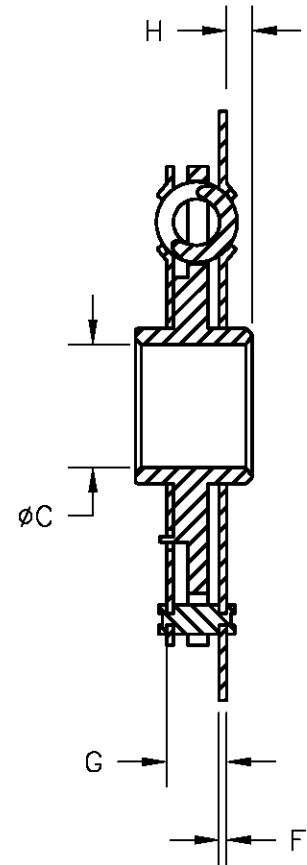
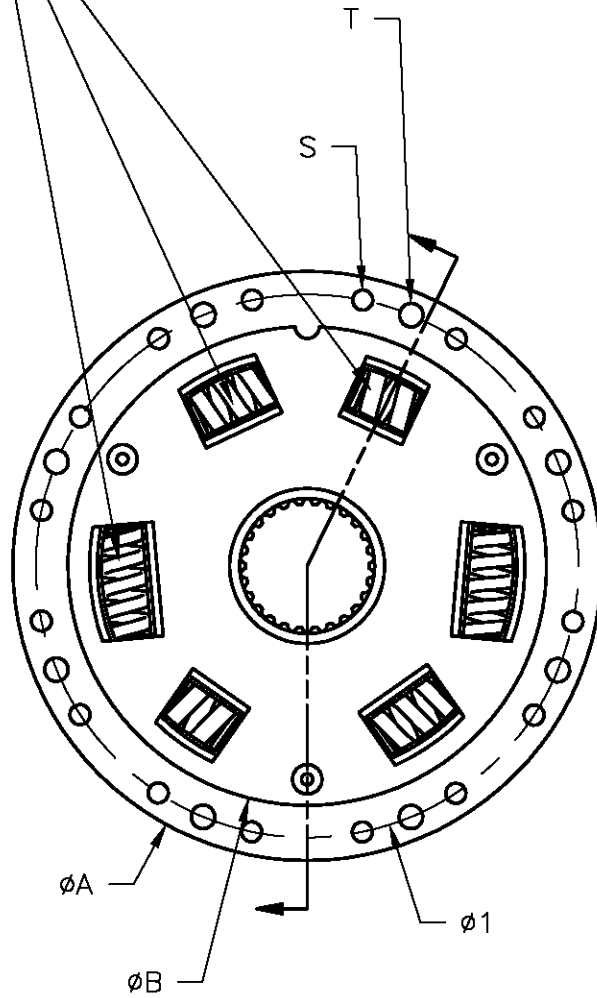
TEETH: 26		TORQUE: 195.45 ft lb 265 Nm			
DIA A: 6.187 [157.16]	HOLE DIA S: 0.255 [6.48]	HOLE DIA X: N/A	HOLE DIA Y: N/A	HOLE DIA Z: N/A	HOLE DIA W: N/A
DIA B: 4.849 [123.16]	HOLE DIA T: NA	HOLE DIA X: N/A	HOLE DIA Y: N/A	HOLE DIA Z: N/A	HOLE DIA W: N/A
DIA C: 1.343 [34.13]	HOLE DIA U: N/A	HOLE DIA X: 5.512 [140.00]	HOLE DIA Y: N/A	HOLE DIA Z: N/A	HOLE DIA W: N/A
DIA D: N/A	HOLE DIA V: N/A	HOLE DIA X: N/A	HOLE DIA Y: N/A	HOLE DIA Z: N/A	HOLE DIA W: N/A
DIA E: N/A	HOLE DIA W: N/A	HOLE DIA X: N/A	HOLE DIA Y: N/A	HOLE DIA Z: N/A	THCK F: 0.079 [2.01]

ALTO PRODUCTS CORP.

 One Alto Way
 Atmore, AL 36504
 PH: (251)-368-7777
 FAX: (251)-368-7774
 www.AltoUSA.com

PART NUMBER
DA-304
 REV: IR

3 DIFFERENT
SIZE SPRINGS



DAMPER INFORMATION

THCK G: 0.550
[13.97]

APPLICATION DAMPER

TEETH: 26

TORQUE: 221.27 ft lb
300 Nm

THCK H: 0.260
[6.60]

NOTES:
OEM #1866-052-002

OAT: 1.175
[29.84]

SCALE: NONE

DRAWN BY:

BTB

CHECKED BY:

CDH

DIA A: 5.962 [151.44]	HOLE DIA S: 0.205 [5.20]	HOLE DIA X: N/A	HOLE CEN. V: N/A
DIA B: 4.853 [123.26]	HOLE DIA T: 0.240 [6.096]	HOLE DIA Y: N/A	HOLE CEN. W: N/A
DIA C: 1.250 [31.75]	HOLE DIA U: N/A	HOLE CEN. 1: 1.353 [34.36]	HOLE CEN. X: N/A
DIA D: N/A	HOLE DIA V: N/A	HOLE CEN. T: N/A	HOLE CEN. Y: N/A
DIA E: N/A	HOLE DIA W: N/A	HOLE CEN. U: N/A	THCK F: 0.075 [1.90]

ALTO PRODUCTS CORP.
One Alto Way
Atmore, AL 36504
PH: (251)-368-7777
FAX: (251)-368-7774
www.AltoUSA.com

PART NUMBER
DA-305
REV: IR

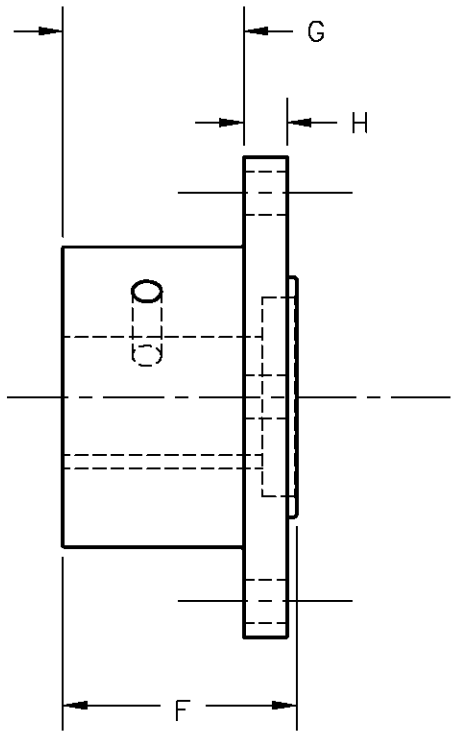
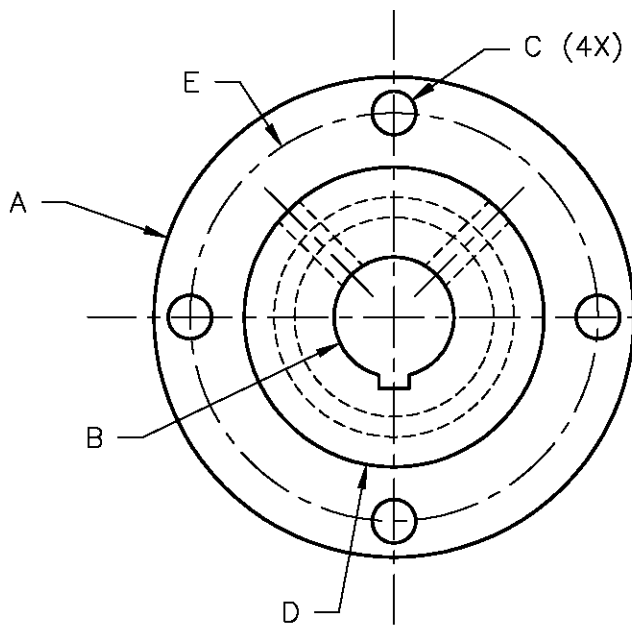
MARINE COUPLINGS

VELVET DRIVE ®

ALTO NO.	OEM NO.	DESCRIPTION	USAGE	NOTES
COUPLINGS				
023323	4547AY	Coupling 5 - MODEL 10-18 Only	1	
023324	4547BA	Coupling 4 - MODEL 10-17 Only	1	
023327	1000-031-001	Coupling - Current Reduction	1	Fine Spline
023328	4912	Coupling - Early Reduction	1	Fine Spline
023543-075	4BX-A	Coupling Shaft VD71/72 4" X .75 Bore		
023543-087	4BX-AA	Coupling Shaft VD 71/72 4" X .875 Bore		
023543-100	1866-052-002	Coupling Shaft VD71/72 4" X 1.00 Bore		
023543-125	4865DD 4BX-D	Coupling Shaft VD 71/72 4" X 1.25 Bore		
023559-125	4886D 5AX-D	Coupling Shaft VD 71/72 5" X 1.25 Bore		
023559-137	NA	Coupling Shaft VD71/72 5" X 1.375 Bore		
023559-150	NA	Coupling Shaft VD71/72 5" X 1.50 Bore		

Velvet Drive is a registered trademark of Borg Warner Corporation

SEE COUPLING SPEC SHEET NEXT PAGE.....



COUPLING INFORMATION

PART NUM.	DIM: A	DIM: B	DIM: C	DIM: D	DIM: E	DIM: F	DIM: G	DIM: H
023559-125	5.00"	1.250"	0.455"	3.125"	4.250"	2.435"	1.885"	0.450"
023559-137	5.00"	1.375"	0.455"	3.125"	4.250"	2.435"	1.885"	0.450"
023559-150	5.00"	1.500"	0.455"	3.125"	4.250"	2.435"	1.885"	0.450"
023543-075	4.00"	0.750"	0.392"	2.250"	3.250"	2.330"	1.845"	0.385"
023543-087	4.00"	0.875"	0.392"	2.250"	3.250"	2.330"	1.845"	0.385"
023543-100	4.00"	1.000"	0.392"	2.250"	3.250"	2.330"	1.845"	0.385"
023543-125	4.00"	1.250"	0.392"	2.250"	3.250"	2.330"	1.845"	0.385"

APPLICATION

CPL SHAFT VD71/72

ALTO PRODUCTS CORP.



One Alto Way
 Atmore, AL 36504
 PH: (251)-368-7777
 FAX: (251)-368-7774
 www.AltoUSA.com

DRAWN: JMS

CHECKED: CDH

SCALE: 1:2

DATE: 7/8/13