



Chrysler 68RFE 2nd Clutch PowerPack®
Stage 3 – 07-On
Stock, Heavy Duty, Hi-Performance, Race Vehicles

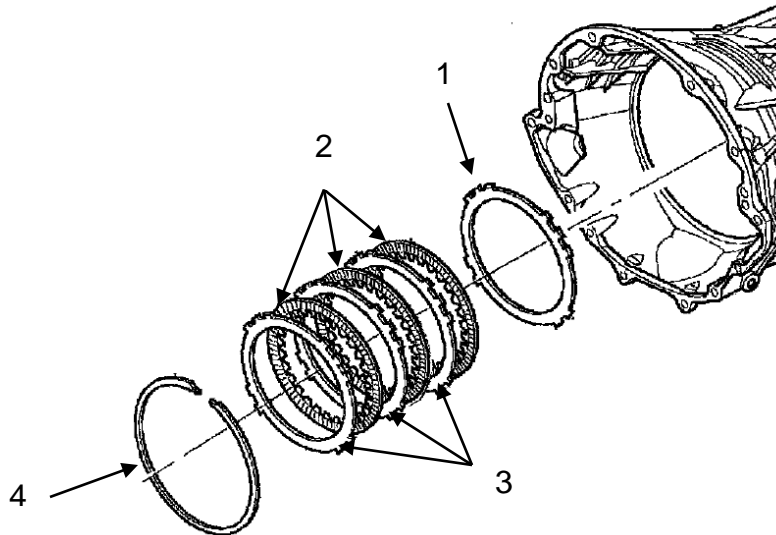
ALTO PART # 128757E

Alto # 128757E POWERPACK® CONTENTS:

- (5) 128702A193 G3 Friction Plates
- (5) 128703-160PS Performance Steel Plates
- (1) 128305A Modified Piston

INSTALLATION INSTRUCTIONS

Note: Pre-soak friction plates for at least 15-20 minutes in the manufacturer's recommended ATF.



Stack-up is same as OE:

Install the 2C reaction plate (1) into the transmission case.

Install the G3 frictions (3) and Performance steel plates (2), starting with a friction and ending with a steel plate.

Install the Flat 2C snap-ring (4) into the transmission case.

Using air (40 PSI) apply the 2nd clutch several times to seat all of the clutch pack elements

Check clutch pack clearance using a feeler gauge in four places between the reaction plate and the transmission case. Clearance should be 0.455 to 1.335mm (.018" to .053")