



# New Product Announcement

MAKE: Toyota

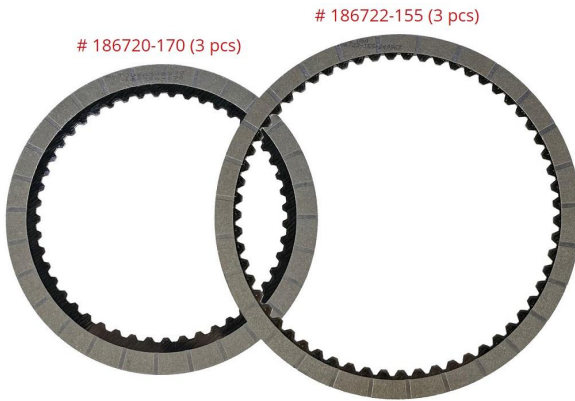
TRANSMISSION: K111, K112 (CVT)

PRODUCT TYPE: Clutch Modules

## Description & Notes:

Toyota K111, K112 (CVT) Friction & Steel Modules 2004-On  
Friction Clutches feature HEG(High Energy) Material

### Alto # 186752C Friction Module



### Alto # 186753C Steel Module

