

# AltoUpdate...

MAKE	TRANSMISSION	APPLICATION	YEAR
Komatsu	WA800 & WA900	Brake Plates	Various

## DESCRIPTION & NOTES...

### KOMATSU REPLACEMENT BRAKE PLATES FOR THE WA800 AND WA900 SERIES WHEEL LOADERS.

- Alto # 320712-518 Paper**
- Alto # 325708-690 Cork**
- Alto # 325707-240 Steel**



#### Alto # 320712-518

Ref. #	OD mm	I D mm	THK mm	# of Teeth	TeethType	INCH OD	INCH ID	INCH THK
569-33-41240								
569-33-41241								
569-33-41242	660	492.5	5.2	166	IT	25.95	19.37	0.204
569-33-61240								
569-33-61241								

#### Alto # 325708-690

Ref. #	OD mm	I D mm	THK mm	# of Teeth	TeethType	INCH OD	INCH ID	INCH THK
569-33-41260								
569-33-41261	681.2	510.4	6.9	208 (226)	OT	26.79	20.07	0.271
561-33-62260								

#### Alto # 325707-240

Ref. #	OD mm	I D mm	THK mm	# of Teeth	TeethType	INCH OD	INCH ID	INCH THK
569-33-41230								
561-33-41242	681.2	510.4	2.4	226	OT	26.79	20.07	0.094
561-33-61230								

Contact your Alto Distributor for more information



0702402012



FULL SCALE

NOT TO SCALE

### CLUTCH PLATE INFORMATION

NUMBER OF TEETH	166
OUTSIDE DIAMETER [METRIC]	25.986[660.04]
INSIDE DIAMETER [METRIC]	19.394[492.61]
FRICTION COLOR	BLK
OVERALL THICKNESS [METRIC]	0.199 [5.08]
SCALE	AS NOTED

### APPLICATION

KOMATSU BRAKE DISC

#### NOTES:

- 1.
- 2.

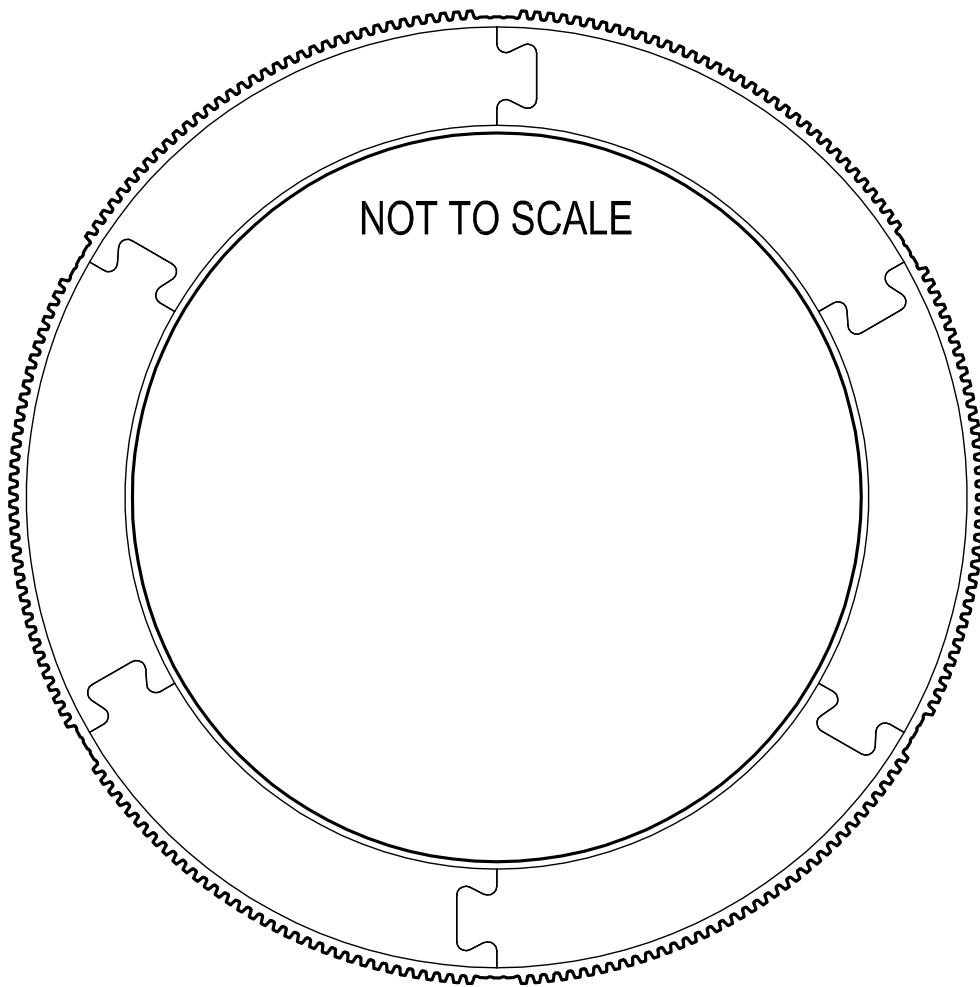
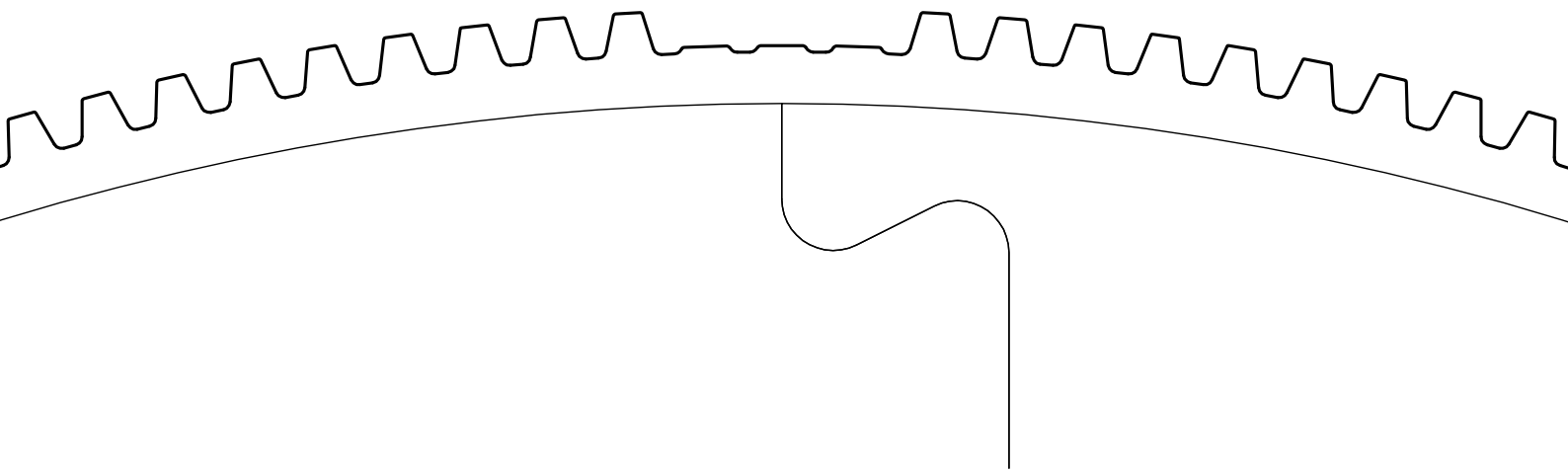
**ALTO PRODUCTS CORP.**  
One Alto Way  
Atmore, AL 36504  
PH: (251)-368-7777  
FAX: (251)-368-7774  
www.AltoUSA.com



**PART NUMBER**  
**320712-518**

REV: A

FULL SCALE



### CLUTCH PLATE INFORMATION

NUMBER OF TEETH	208 BASE 226
OUTSIDE DIAMETER [METRIC]	26.808 [680.92]
INSIDE DIAMETER [METRIC]	20.063 [509.60]
FRICTION COLOR	CORK
OVERALL THICKNESS [METRIC]	0.272 [6.91]
SCALE	1:1

### APPLICATION

KOMATSU

#### NOTES:

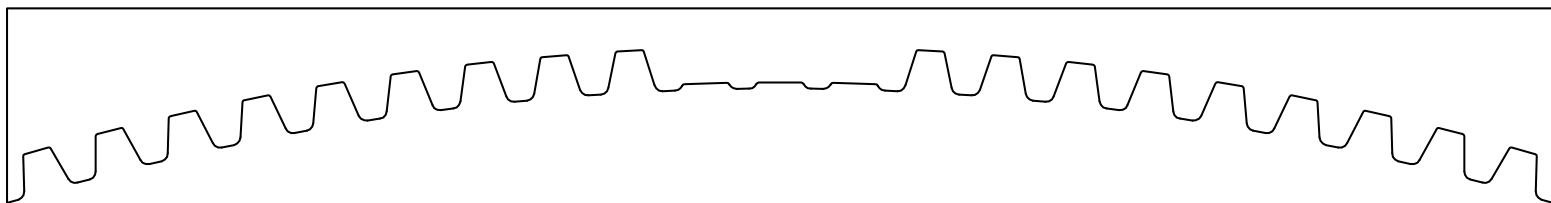
- 1.
- 2.

**ALTO PRODUCTS CORP.**  
One Alto Way  
Atmore, AL 36504  
PH: (251)-368-7777  
FAX: (251)-368-7774  
www.AltoUSA.com

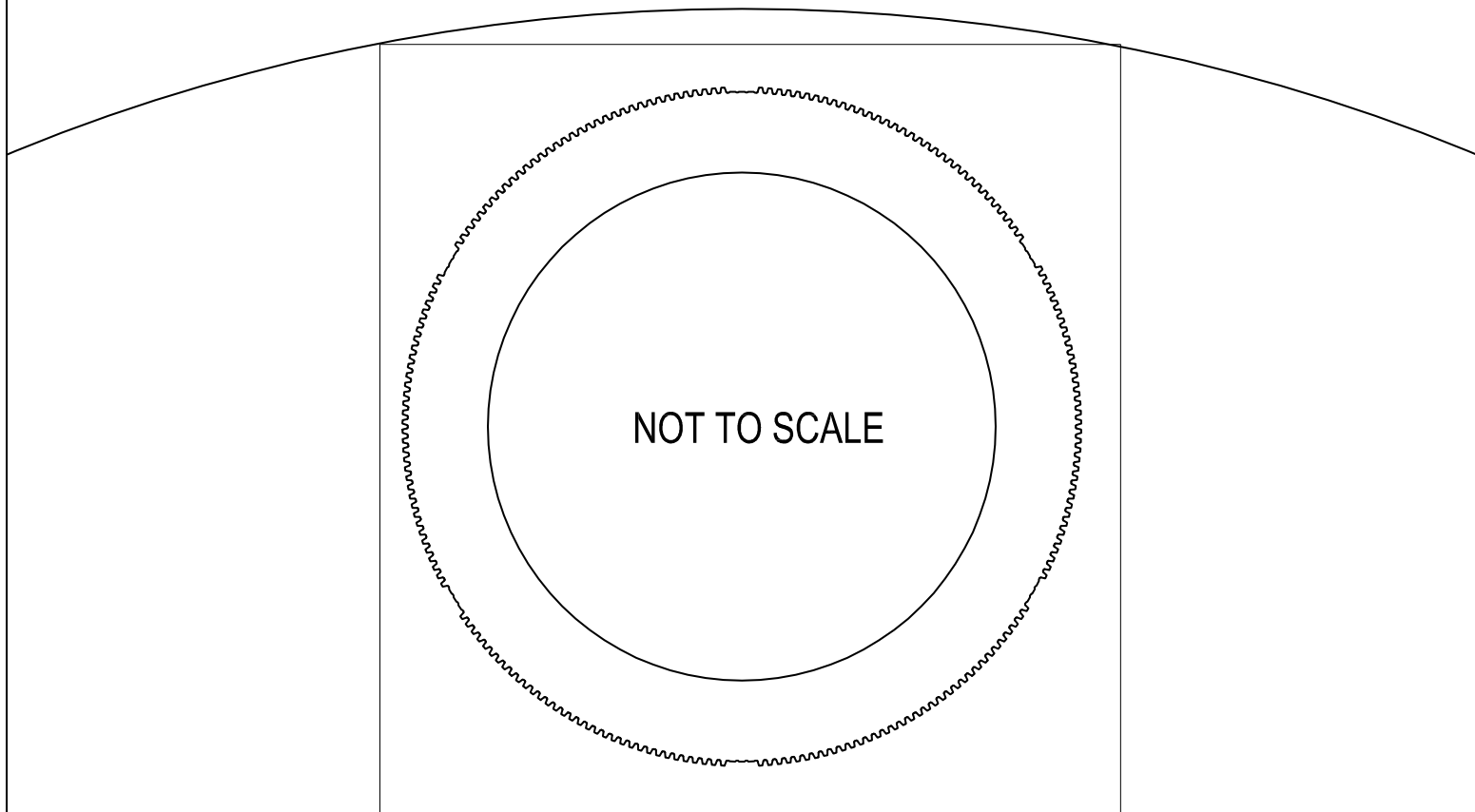


PART NUMBER  
**325708-690**

REV: IR



FULL SCALE



**CLUTCH PLATE INFORMATION**

NUMBER OF TEETH	208 BASE 226
OUTSIDE DIAMETER [METRIC]	26.808[680.92]
INSIDE DIAMETER [METRIC]	20.063[509.60]
FRICTION COLOR	NA
OVERALL THICKNESS [METRIC]	0.095 [2.41]
SCALE	AS NOTED

**APPLICATION**

ST KOMATSU REPL 561-33-61230

**NOTES:**

- 1.
- 2.

**ALTO PRODUCTS CORP.**



One Alto Way  
 Atmore, AL 36502-1088  
 PH: (251)-368-7777  
 FAX: (251)-368-7774  
 www.AltoUSA.com

**PART NUMBER**

**325707-240**

REV: C