



ALTO PRODUCTS CORP.

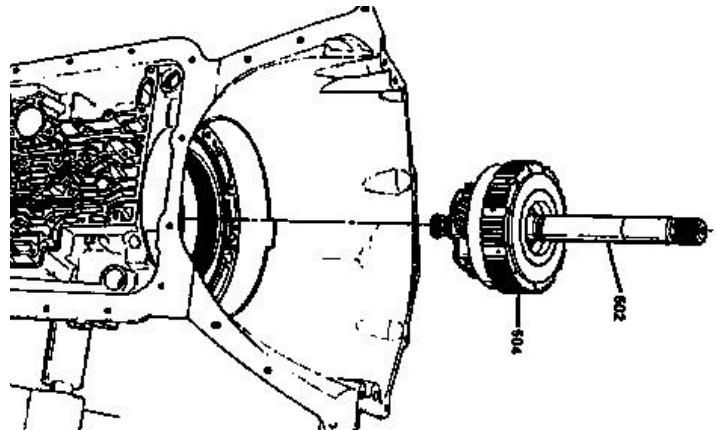
013002

New Product Release GM THM400 Forward Clutch PowerPack ALTO PART# 031755HP

031755HP Kit Contents:

Qty.	Alto Part #	Alto Description
6	031740A	.061" (1.54mm) Friction Disc Forward PowerPack
5	031701AK	.060" (1.52mm) Steel Plate Forward PowerPack
1	031711K	.090" (2.28mm) Bottom Steel Plate Forward PowerPack

We are pleased to announce the Forward Clutch PowerPack® for the GM THM400 transmission. This popular unit has proven to be a very reliable workhorse for heavy-duty and racing applications. The addition of extra capacity clutches allows energy to be distributed over more surface area, reducing heat significantly and reducing friction plate stress, while improving shift quality. These performance benefits will ensure a longer lasting unit.



Additional Products available for the THM400:

PowerSolutions®

#31757 – Intermediate PowerPack®

#31757HP – Hi-Performance Intermediate PowerPack®

#31756HP – Hi-Performance Direct PowerPack®

Shift... Your Thinking

Alto Way · Atmore · AL · 36504
251.368.7777 · Fax: 251.368.7774

www.altoUSA.com · Email: sales@altoUSA.com