



ALTO PRODUCTS CORP.

013002

New Product Release

GM 4L80E Forward Clutch PowerPack

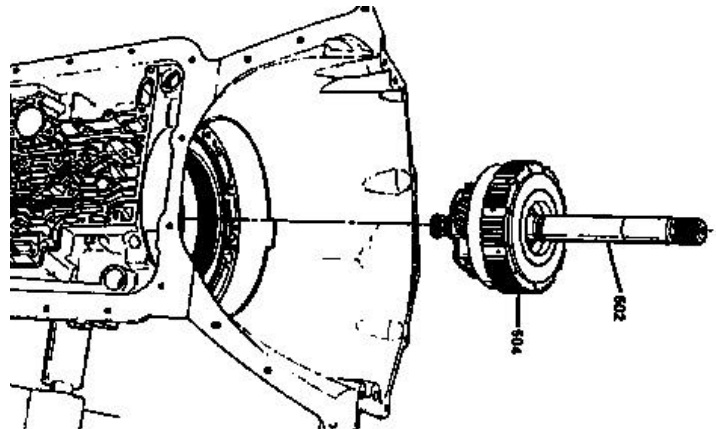
ALTO PART# 031755AHP

031755AHP Kit Contents:

Qty.	Alto Part #	Alto Description
7	031740A	.061" (1.54mm) Friction Disc Forward PowerPack
6	031701AK	.060" (1.52mm) Steel Plate Forward PowerPack
1	031711-325	.128" (3.25mm) Bottom Apply Plate Forward Power Pack

We are pleased to announce the Forward Clutch PowerPack® for the GM 4L80E transmission. This 4-speed version of the TH400 was introduced in 1990 and has proven to be a reliable heavy-duty 4-speed overdrive transmission. The addition of extra capacity clutches allows energy to be distributed over more surface area, which Reduces heat significantly and reduces friction plate stress, while improving shift quality. These performance improvements will ensure a longer lasting unit.

Technical Note: This kit will eliminate the bottom disc cushion spring, which will cause the unit to have a much firmer garage shift to forward gears.



Shift... Your Thinking

Alto Way · Atmore · AL · 36504
251.368.7777 · Fax: 251.368.7774

www.altoUSA.com · Email: sales@altoUSA.com